

Excellent Integrated System Limited

Stocking Distributor

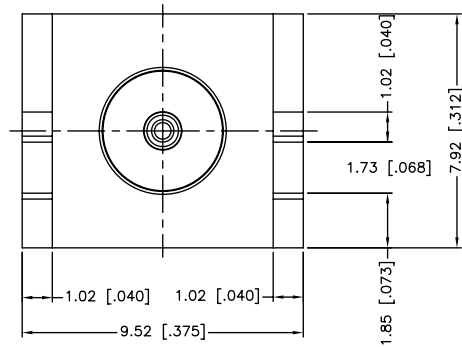
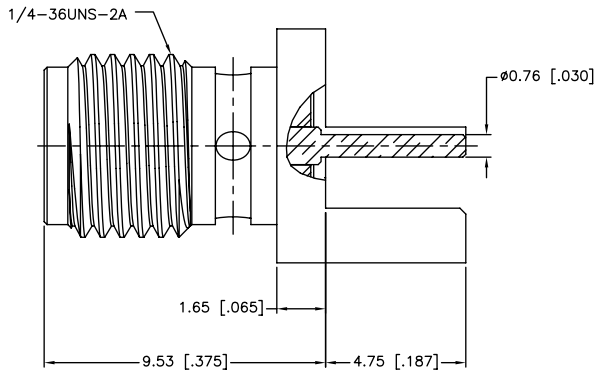
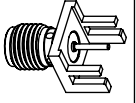
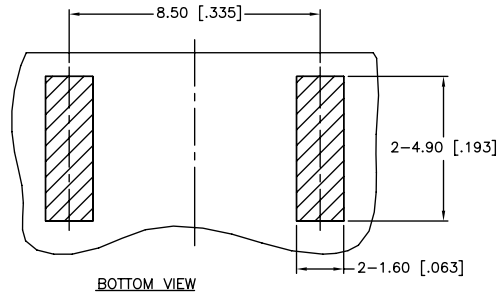
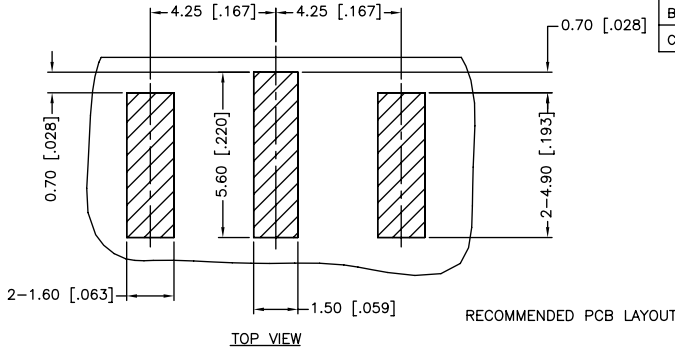
Click to view price, real time Inventory, Delivery & Lifecycle Information:

[Amphenol RF](#)
[132255](#)

For any questions, you can email us directly:

sales@integrated-circuit.com

REV.	DATE	ECR NO.	DESCRIPTION
NC	10/29/98	XXXXXX	INITIAL RELEASE
A	08/13/06	XXXXXX	UPDATE DRAWING FORMAT
B	07/29/11	2208	ADD PCB LAYOUT AND NOTES
C	11/30/11	2254	UPDATE THE CONTACT AND INSULATOR



1. IMPEDANCE: 50 OHM
2. FREQUENCY RANGE: DC 0-18 GHZ
3. VSWR: 1.3 MAX.
4. DIELECTRIC WITHSTANDING VOLTAGE: 1000 VRMS, MIN.
5. BOARD THICKNESS=1.57 MM [0.062"]
6. CONTACT PIN MUST WITHSTAND 6 LBS MIN. AXIAL IN BOTH DIRECTIONS AND 4 IN-OZ MIN. RADIAL FORCE.

UNLESS OTHERWISE SPECIFIED DIMENSIONS ARE IN MILLIMETERS. DIMENSIONS IN [] ARE IN INCHES AND FOR CUSTOMER REFERENCE ONLY.

UNLESS OTHERWISE SPECIFIED TOLERANCES FOR MILLIMETERS ARE:
 0.5 - 8mm ± 0.20mm
 8 - 30mm ± 0.40mm
 30 - 120mm ± 0.50mm

UNLESS OTHERWISE SPECIFIED TOLERANCES FOR INCHES ARE:
 .020 - .315 = ± 0.007"
 .315 - 1.180 = ± 0.015"
 1.180 - 4.724 = ± 0.020"

DO NOT SCALE DRAWING

APPROVALS	DATE
DRAWN M.ZHANG	11/30/11
CHECKED	
ISSUED	
SHEET 1 OF 1	
CAD FILE	C:/CONNEX/132255.DWG

Amphenol Connex

PART DESCRIPTION
SMA END LAUNCH RECEPT. JACK, RIBBED FLANGE (.062" BOARD THICKNESS)

PART NO. **132255**

DWG. NO. 132255.DWG REV. C SIZE A SCALE NA

QTY	DESCRIPTION	MATERIAL	FINISH
1	CONTACT PIN	BER. COPPER	GOLD
1	INSULATOR	PTFE	NATURAL
1	BODY	BRASS	GOLD