

## Excellent Integrated System Limited

Stocking Distributor

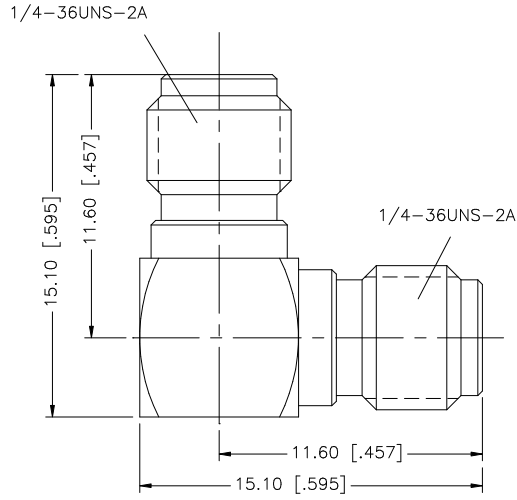
Click to view price, real time Inventory, Delivery & Lifecycle Information:

[Amphenol RF](#)  
[132274](#)

For any questions, you can email us directly:

[sales@integrated-circuit.com](mailto:sales@integrated-circuit.com)

REV.	DATE	DESCRIPTION
NC	08/10/99	INITIAL RELEASE
A	09/26/06	UPDATE DRAWING FORMAT



DESCRIPTION	MATERIAL	FINISH	QTY	UNLESS OTHERWISE SPECIFIED DIMENSIONS ARE IN MILLIMETERS. DIMENSIONS IN [ ] ARE IN INCHES AND FOR CUSTOMER REFERENCE ONLY.	APPROVALS	DATE	Amphenol Connex					
8				UNLESS OTHERWISE SPECIFIED TOLERANCES FOR MILLIMETERS ARE: 0.5 - 8mm ± 0.20mm 8 - 30mm ± 0.40mm 30 - 120mm ± 0.50mm  UNLESS OTHERWISE SPECIFIED TOLERANCES FOR INCHES ARE: .020 - .315 = ± 0.007" .315 - 1.180 = ± 0.015" 1.180 - 4.724 = ± 0.020"	DRAWN	G.R.S.	09/26/06	<b>SMA FEMALE TO FEMALE R/A ADAPTER</b>  PART NO. <b>132274</b>				
7			CHECKED									
6			ISSUED									
5			SHEET		1 OF 1							
4	COVER	BRASS	GOLD	1	CAD FILE			DWG. NO.	132274.DWG	REV. A	SIZE A	SCALE NA
3	CONTACT PIN	BER. COPPER	GOLD	1	C:/132/1132274.DWG							
2	INSULATOR	TEFLON	NATURAL	1	DO NOT SCALE DRAWING							
1	BODY	BRASS	GOLD	1								