

Excellent Integrated System Limited

Stocking Distributor

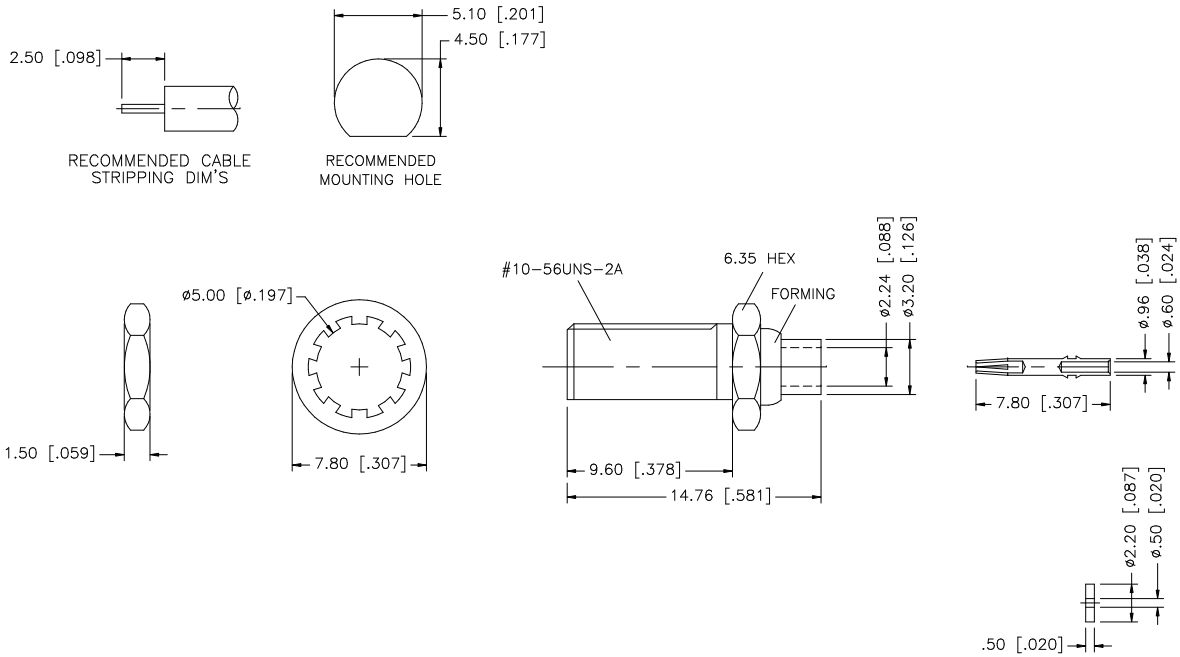
Click to view price, real time Inventory, Delivery & Lifecycle Information:

[Amphenol RF](#)
[252163](#)

For any questions, you can email us directly:

sales@integrated-circuit.com

REV.	DATE	DESCRIPTION
A	06/05/03	UPDATE DRAWING FORMAT



NOTES:

- CONTACT PIN TO SOLDER
- MAX. PANEL THICKNESS = 6.8mm

DESCRIPTION	MATERIAL	FINISH	QTY	DO NOT SCALE DRAWING	APPROVALS	DATE	<h1 style="color: blue;">Amphenol Connex</h1>	
8					DRAWN	G.R.S.		06/05/03
7					CHECKED			
6	HEX NUT	BRASS	GOLD	1	ISSUED			
5	LOCK WASHER	BRASS	GOLD	1	SHEET	1 OF 1		
4	INSULATOR	TEFLON	NATURAL	1	CAD FILE			
3	CONTACT PIN	BER. COPPER	GOLD	1	C:/252/252163.DWG			
2	INSULATOR	TEFLON	NATURAL	1	DWG. NO. 252163.DWG			
1	BODY	BRASS	GOLD	1	REV. A			
							SIZE A	SCALE NA

UNLESS OTHERWISE SPECIFIED DIMENSIONS ARE IN MILLIMETERS; DIMENSIONS IN [] ARE IN INCHES AND FOR CUSTOMER REFERENCE ONLY.

UNLESS OTHERWISE SPECIFIED TOLERANCES FOR MILLIMETERS ARE:
 0.5 - 8mm ± 0.20mm
 8 - 30mm ± 0.40mm
 30 - 120mm ± 0.50mm

UNLESS OTHERWISE SPECIFIED TOLERANCES FOR INCHES ARE:
 .020 - .315 = ± 0.007"
 .315 - 1.180 = ± 0.015"
 1.180 - 4.724 = ± 0.020"

PART DESCRIPTION
**MCX BULKHEAD DIRECT SOLDER JACK
 (FOR .085" .086" SEMI RIGID CABLE)**

PART NO.
252163