

Excellent Integrated System Limited

Stocking Distributor

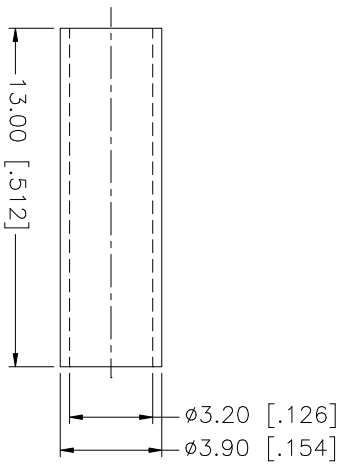
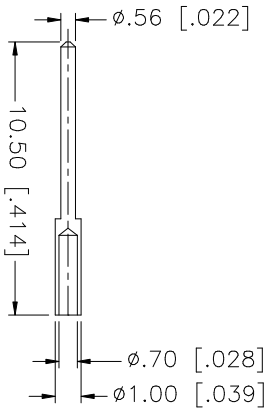
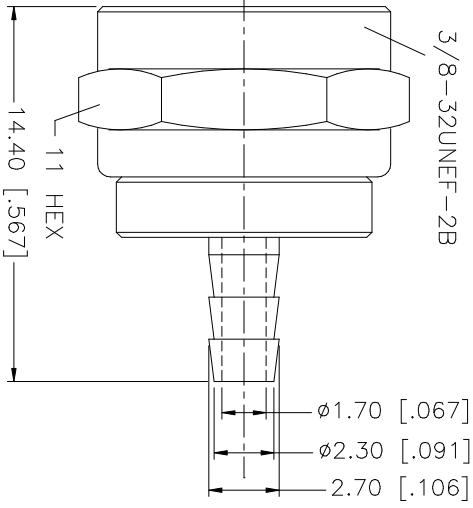
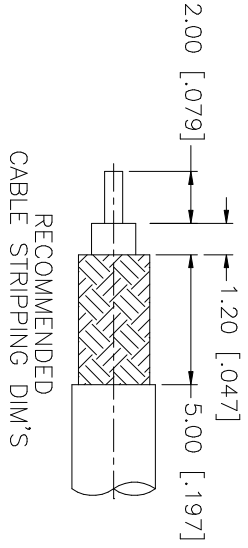
Click to view price, real time Inventory, Delivery & Lifecycle Information:

[Amphenol RF](#)
[222184](#)

For any questions, you can email us directly:

sales@integrated-circuit.com

REV.	DATE	DESCRIPTION
A	11/19/02	UPDATE FERRULE DIMENSIONS



NOTES:

1. CRIMPED FERRULE
HEX CRIMP SIZE .128"

8																			
7																			
6																			
5																			
4	FERRULE	COPPER	TIN LEAD																
3	CONTACT PIN	BRASS	BRT. TIN																
2	INSULATOR	TEFLON	NATURAL																
1	BODY/SHELL	BRASS	TIN LEAD																
	DESCRIPTION	MATERIAL	FINISH																
				UNLESS OTHERWISE SPECIFIED DIMENSIONS ARE IN MILLIMETERS				APPROVALS				DATE							
				DIMENSIONS IN [] ARE IN INCHES FOR CUSTOMER REFERENCE ONLY				DRAWN G.R.S.				11/19/02							
				UNLESS OTHERWISE SPECIFIED TOLERANCES FOR INCHES ARE: .XXX = ± 0.005" .XX = ± 0.010" .X = ± 0.020"				CHECKED											
				DO NOT SCALE DRAWING				ISSUED											
												<p style="text-align: center;">Amphenol - Connex CONNECTOR CORPORATION</p> <p style="text-align: center;">F CRIMP PLUG (FOR RG-316/U, 174/U, 188A/U, CABLE)</p>							
		SIZE		FSQM NO.		DWG. NO.		SCALE		PART NO.		SHEET		REV.					
		A		99001		222184.DWG		NA		222184		1 OF 1		A					