

Excellent Integrated System Limited

Stocking Distributor

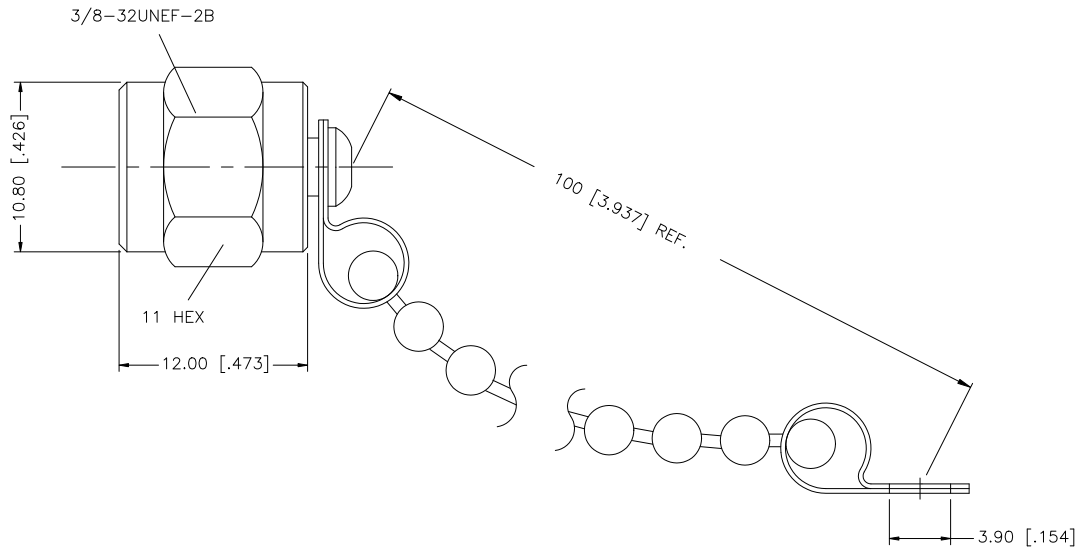
Click to view price, real time Inventory, Delivery & Lifecycle Information:

[Amphenol RF](#)
[222145](#)

For any questions, you can email us directly:

sales@integrated-circuit.com

REV.	DATE	DESCRIPTION
A	02/04/99	MODIFY PLATING SPECS.
B	10/03/07	UPDATE DRAWING FORMAT



8					UNLESS OTHERWISE SPECIFIED DIMENSIONS ARE IN MILLIMETERS. DIMENSIONS IN [] ARE IN INCHES AND FOR CUSTOMER REFERENCE ONLY.	APPROVALS	DATE	<h2 style="text-align: center;">Amphenol Connex</h2>	
7					UNLESS OTHERWISE SPECIFIED TOLERANCES FOR MILLIMETERS ARE:	DRAWN	G.R.S.		10/03/07
6					0.5 - 8mm ± 0.20mm	CHECKED			PART DESCRIPTION
5					8 - 30mm ± 0.40mm	ISSUED			F MALE CAP W/CHAIN
4	RIVET	BRASS	NICKEL	1	30 - 120mm ± 0.50mm	SHEET	1 OF 1		PART NO.
3	CHAIN	BRASS	NICKEL	1	UNLESS OTHERWISE SPECIFIED TOLERANCES FOR INCHES ARE:	222145			
2	GASKET	SILICONE	RED	1	.020 - .315 = ± 0.007"	CAD FILE	C:/222/222145.DWG	DWG. NO.	
1	SHELL	BRASS	NICKEL	1	.315 - 1.180 = ± 0.015"	222145.DWG			
	DESCRIPTION	MATERIAL	FINISH	QTY	1.180 - 4.724 = ± 0.020"	REV. B SIZE A SCALE NA			
					DO NOT SCALE DRAWING				