

Excellent Integrated System Limited

Stocking Distributor

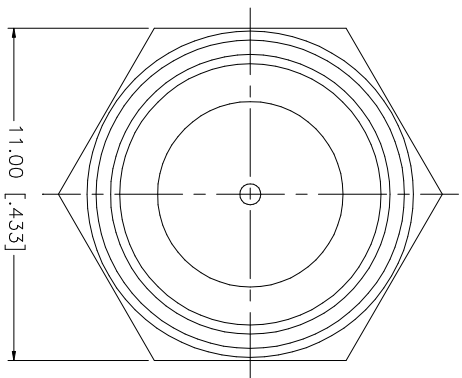
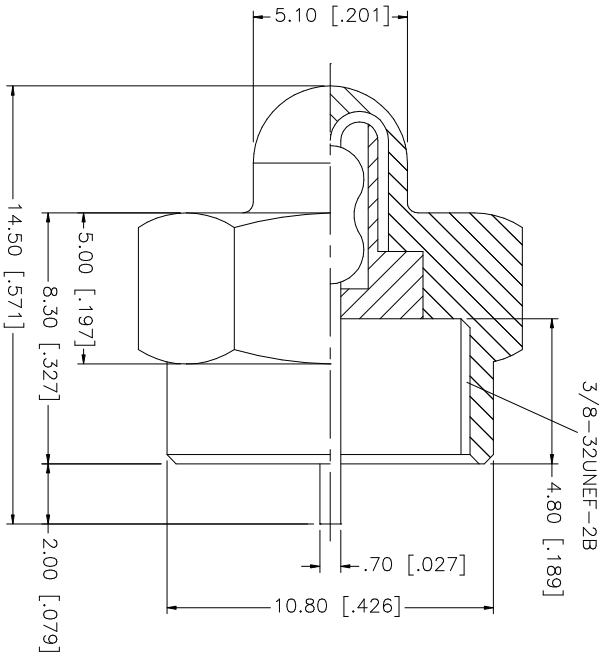
Click to view price, real time Inventory, Delivery & Lifecycle Information:

[Amphenol RF](#)
[222154](#)

For any questions, you can email us directly:

sales@integrated-circuit.com

REV.	DATE	DESCRIPTION
A	04/09/03	UPDATE PART DESCRIPTION
B	07/29/06	REVISE CONTACT PIN PLATING TO NICKEL



NOTES:
 1. RESISTOR: 75ohms – 1/8 WATT 1%
 2. FREQUENCY: 0 – 3 Ghz
 3. RETURN LOSS: 30 dB AT 1 Ghz

UNLESS OTHERWISE SPECIFIED DIMENSIONS ARE IN MILLIMETERS DIMENSIONS IN [] ARE IN INCHES AND FOR CUSTOMER REFERENCE ONLY.			
UNLESS OTHERWISE SPECIFIED TOLERANCES FOR MILLIMETERS ARE:			
0.5 – 8mm	± 0.20mm	9 – 30mm	± 0.40mm
30 – 120mm	± 0.50mm	UNLESS OTHERWISE SPECIFIED TOLERANCES FOR INCHES ARE:	
.020 – .315	± 0.007"	.315 – 1.180	± 0.015"
1.180 – 4.724	± 0.020"	DO NOT SCALE DRAWING	

8	7	6	5	4	3	2	1	DESCRIPTION	MATERIAL	FINISH	QTY
					1	1	1	INSULATOR	TEFLON	NATURAL	
					1	1	1	CONTACT PIN	STEEL	NICKEL	
							1	HOUSING/BODY	DECAST	NICKEL	
								DESCRIPTION			

APPROVALS		DATE	PART DESCRIPTION			
DRAWN	G.R.S.	07/29/06	<h1>Amphenol Connex</h1> <h2>F MALE TERMINATOR</h2> <h3>222154</h3>			
CHECKED						
ISSUED						
SHEET	1 OF 1		PART NO.	222154		
CAD FILE	C:/222/222154.DWG		DWG. NO.	222154.DWG		
REV.	B	SIZE	A	SCALE	NA	