

Excellent Integrated System Limited

Stocking Distributor

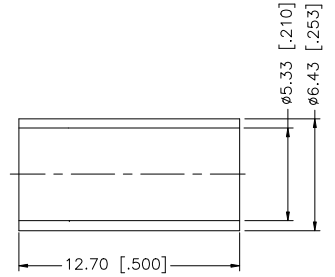
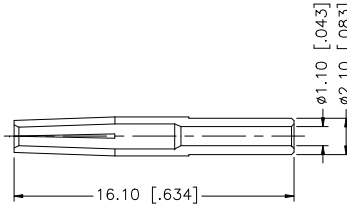
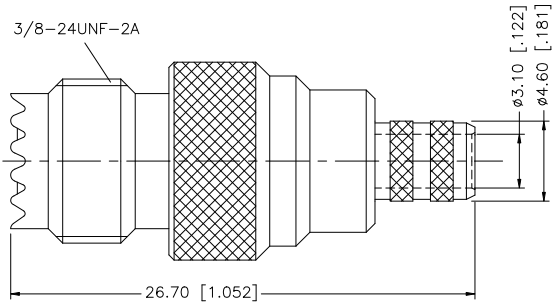
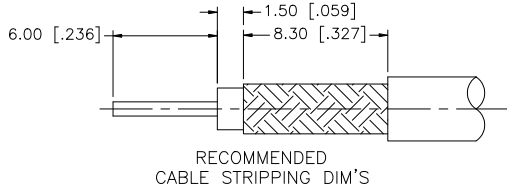
Click to view price, real time Inventory, Delivery & Lifecycle Information:

[Amphenol RF](#)
[182112](#)

For any questions, you can email us directly:

sales@integrated-circuit.com

REV.	DATE	DESCRIPTION
A	01/17/00	MODIFY BODY AND CONTACT PIN
B	07/31/07	UPDATE DRAWING FORMAT



REV.	DATE	DESCRIPTION	APPROVALS	DATE	Amphenol Connex						
8					MINI-UHF CRIMP JACK (FOR RG-58/U CABLE)						
7				DRAWN					G.R.S.	07/31/07	PART DESCRIPTION
6				CHECKED							
5				ISSUED							
4				SHEET					1 OF 1		
3							PART NO.	182112			
2							DWG. NO.	182112.DWG			
1							REV.	B			
							SIZE	A			
							SCALE	NA			

UNLESS OTHERWISE SPECIFIED DIMENSIONS ARE IN MILLIMETERS; DIMENSIONS IN [] ARE IN INCHES AND FOR CUSTOMER REFERENCE ONLY.

UNLESS OTHERWISE SPECIFIED TOLERANCES FOR MILLIMETERS ARE:
 0.5 - 8mm ± 0.20mm
 8 - 30mm ± 0.40mm
 30 - 120mm ± 0.50mm

UNLESS OTHERWISE SPECIFIED TOLERANCES FOR INCHES ARE:
 .020 - .315 = ± 0.007"
 .315 - 1.180 = ± 0.015"
 1.180 - 4.724 = ± 0.020"

DO NOT SCALE DRAWING

CAD FILE C:/182/182112.DWG