

Excellent Integrated System Limited

Stocking Distributor

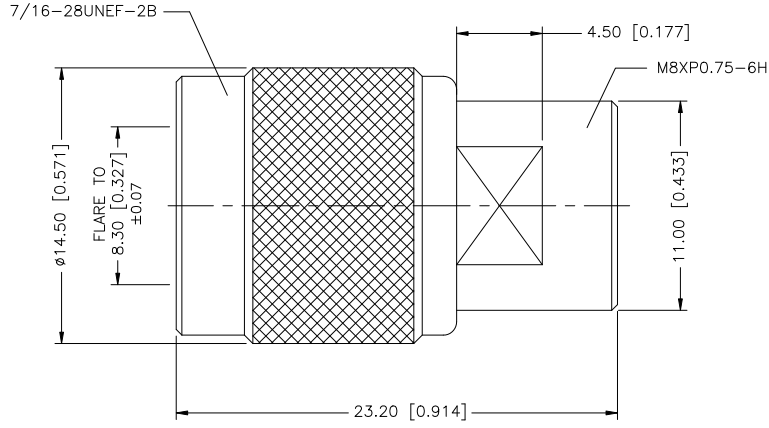
Click to view price, real time Inventory, Delivery & Lifecycle Information:

[Amphenol RF](#)
[192105](#)

For any questions, you can email us directly:

sales@integrated-circuit.com

REV.	DATE	ECR NO.	DESCRIPTION
NC	11/22/08	-	INITIAL RELEASE



REV.	DATE	ECR NO.	DESCRIPTION
NC	11/22/08	-	INITIAL RELEASE

8				UNLESS OTHERWISE SPECIFIED DIMENSIONS ARE IN MILLIMETERS. DIMENSIONS IN [] ARE IN INCHES AND FOR CUSTOMER REFERENCE ONLY. UNLESS OTHERWISE SPECIFIED TOLERANCES FOR MILLIMETERS ARE: 0.5 - 8mm ± 0.20 mm 8 - 30mm ± 0.40 mm 30 - 120mm ± 0.50 mm UNLESS OTHERWISE SPECIFIED TOLERANCES FOR INCHES ARE: .020 - .315 = ± 0.007 " .315 - 1.180 = ± 0.015 " 1.180 - 4.724 = ± 0.020 "	APPROVALS	DATE	<h2 style="text-align: center;">Amphenol Connex</h2> <p style="text-align: center;">FME MALE TO TNC MALE ADAPTER</p> <p style="text-align: center;">192105</p>			
7					DRAWN	G.R.S.		11/22/08		
6					CHECKED					
5					ISSUED					
4	CONTACT PIN	BRASS	GOLD		1					
3	INSULATOR	PTFE	NATURAL		1					
2	BODY	BRASS	NICKEL		1					
1	SHELL	BRASS	NICKEL		1					
	DESCRIPTION	MATERIAL	FINISH	QTY	DO NOT SCALE DRAWING	CAD FILE C:/192/192105.DWG	DWG. NO. 192105.DWG	REV. NC	SIZE A	SCALE NA