

Excellent Integrated System Limited

Stocking Distributor

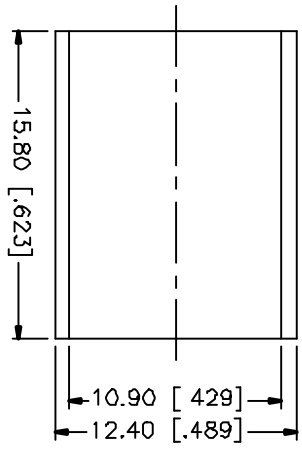
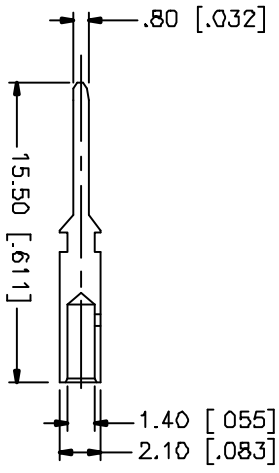
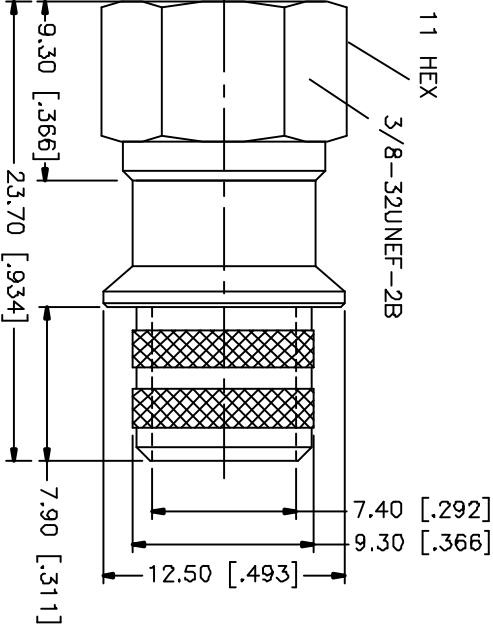
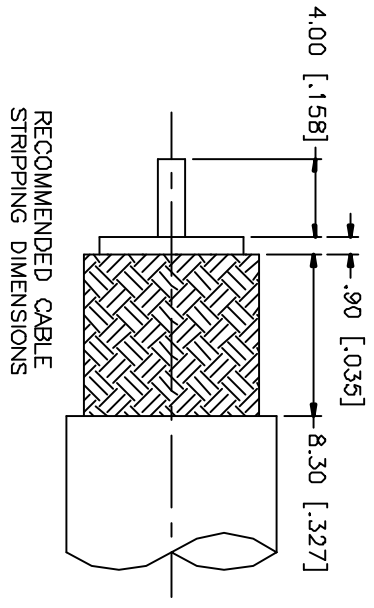
Click to view price, real time Inventory, Delivery & Lifecycle Information:

[Amphenol RF](#)
[222175](#)

For any questions, you can email us directly:

sales@integrated-circuit.com

REV	DATE	DESCRIPTION
NC	02/12/01	INITIAL RELEASE



- CRIMP NOTES:
1. CRIMPED FERRULE HEX CRIMP SIZE .429"
 2. CRIMPED CONTACT PIN HEX CRIMP SIZE .068"

DESCRIPTION	MATERIAL	FINISH	UNLESS OTHERWISE SPECIFIED DIMENSIONS ARE IN MILLIMETERS DIMENSIONS IN [] ARE IN INCHES FOR CUSTOMER REFERENCE ONLY	APPROVALS	DATE	TITLE	SCALE	N/A	PART NO.	SHEET	REV.
8				UNLESS OTHERWISE SPECIFIED DIMENSIONS ARE IN MILLIMETERS DIMENSIONS IN [] ARE IN INCHES FOR CUSTOMER REFERENCE ONLY TOLERANCES FOR MILLIMETERS ARE: 0.5-6 = ± 0.2 6-30 = ± 0.4 30-120 = ± 0.6 120-315 = ± 1 315-1000 = ± 1.6 1000-2000 = ± 2.4	DRAWN	02/12/01	Comnecx Connector Corporation F CRIMP PLUG (FOR RG-11 CABLE) DWG. NO. 222175.DWG	A	99001	1	NC
7			CHECKED		G.R.S.						
6			ISSUED								
5	FERRULE	BRASS	NICKEL								
4	BARREL	BRASS	NICKEL								
3	CONTACT PIN	BRASS	GOLD								
2	INSULATOR	DELRIN	NATURAL								
1	BODY	BRASS	NICKEL								
				DO NOT SCALE DRAWING							