

## **Excellent Integrated System Limited**

Stocking Distributor

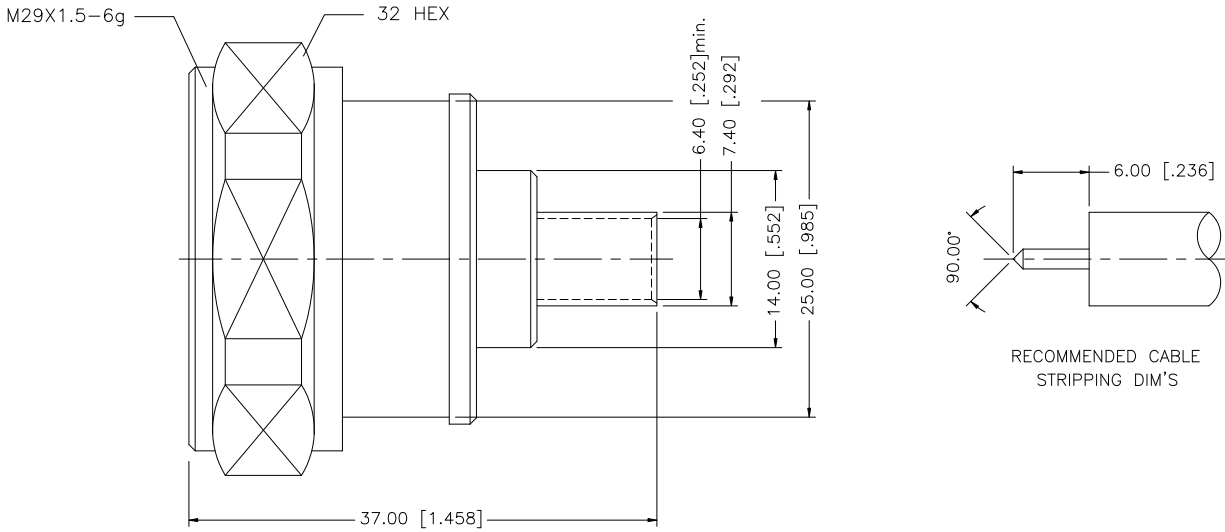
Click to view price, real time Inventory, Delivery & Lifecycle Information:

[Amphenol RF](#)  
[272110](#)

For any questions, you can email us directly:

[sales@integrated-circuit.com](mailto:sales@integrated-circuit.com)

REV.	DATE	DESCRIPTION
A	12/29/00	REVISE PLATING TO SILVER
B	12/06/06	UPDATE DRAWING FORMAT
C	09/20/07	MODIFY BODY TO HEX COUPLING NUT



RECOMMENDED CABLE STRIPPING DIM'S

				UNLESS OTHERWISE SPECIFIED DIMENSIONS ARE IN MILLIMETERS. DIMENSIONS IN [ ] ARE IN INCHES AND FOR CUSTOMER REFERENCE ONLY.	APPROVALS	DATE	<h1 style="color: blue;">Amphenol Connex</h1>	
8				UNLESS OTHERWISE SPECIFIED TOLERANCES FOR MILLIMETERS ARE: 0.5 - 8mm ± 0.20mm 8 - 30mm ± 0.40mm 30 - 120mm ± 0.50mm  UNLESS OTHERWISE SPECIFIED TOLERANCES FOR INCHES ARE: .020 - .315 = ± 0.007" .315 - 1.180 = ± 0.015" 1.180 - 4.724 = ± 0.020"  DO NOT SCALE DRAWING	DRAWN	G.R.S.		09/20/07
7					CHECKED			
6					ISSUED			
5					SHEET	1 OF 1		
4					CAD FILE	C:/272/272110.DWG		
3	CONTACT PIN	BER. COPPER	SILVER	1	PART DESCRIPTION			
2	INSULATOR	TEFLON	NATURAL	1	7/16 PLUG - .250" SEMI RIGID CABLE			
1	BODY	BRASS	NEXCOTE	1	PART NO. 272110			
	DESCRIPTION	MATERIAL	FINISH	QTY	DWG. NO.	272110.DWG	REV. C SIZE A SCALE NA	