

Excellent Integrated System Limited

Stocking Distributor

Click to view price, real time Inventory, Delivery & Lifecycle Information:

[IXYS Corporation](#)
[DSB30C45HB](#)

For any questions, you can email us directly:
sales@integrated-circuit.com

Schottky Diode Gen ²

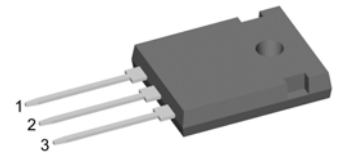
preliminary

V_{RRM}	=	45V
I_{FAV}	= 2x	15A
V_F	=	0.54V

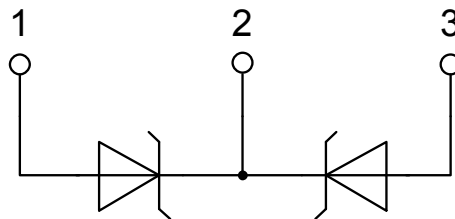
High Performance Schottky Diode
 Low Loss and Soft Recovery
 Common Cathode

Part number

DSB30C45HB



Backside: cathode



Features / Advantages:

- Very low V_f
- Extremely low switching losses
- Low I_{rm} values
- Improved thermal behaviour
- High reliability circuit operation
- Low voltage peaks for reduced protection circuits
- Low noise switching

Applications:

- Rectifiers in switch mode power supplies (SMPS)
- Free wheeling diode in low voltage converters

Package: TO-247

- Industry standard outline
- RoHS compliant
- Epoxy meets UL 94V-0



DSB30C45HB

preliminary

Schottky				Ratings			
Symbol	Definition	Conditions		min.	typ.	max.	Unit
V_{RSM}	max. non-repetitive reverse blocking voltage		$T_{VJ} = 25^{\circ}C$			45	V
V_{RRM}	max. repetitive reverse blocking voltage		$T_{VJ} = 25^{\circ}C$			45	V
I_R	reverse current, drain current	$V_R = 45 V$	$T_{VJ} = 25^{\circ}C$			5	mA
		$V_R = 45 V$	$T_{VJ} = 100^{\circ}C$			50	mA
V_F	forward voltage drop	$I_F = 15 A$	$T_{VJ} = 25^{\circ}C$			0.58	V
		$I_F = 30 A$				0.82	V
		$I_F = 15 A$	$T_{VJ} = 125^{\circ}C$			0.54	V
		$I_F = 30 A$				0.78	V
I_{FAV}	average forward current	$T_C = 130^{\circ}C$ rectangular $d = 0.5$	$T_{VJ} = 150^{\circ}C$			15	A
V_{F0}	threshold voltage	} for power loss calculation only	$T_{VJ} = 150^{\circ}C$			0.31	V
r_F	slope resistance					14.9	mΩ
R_{thJC}	thermal resistance junction to case					1.75	K/W
R_{thCH}	thermal resistance case to heatsink				0.25		K/W
P_{tot}	total power dissipation		$T_C = 25^{\circ}C$			70	W
I_{FSM}	max. forward surge current	$t = 10 \text{ ms}; (50 \text{ Hz}), \text{ sine}; V_R = 0 V$	$T_{VJ} = 45^{\circ}C$			340	A
C_J	junction capacitance	$V_R = 5 V \quad f = 1 \text{ MHz}$	$T_{VJ} = 25^{\circ}C$			497	pF

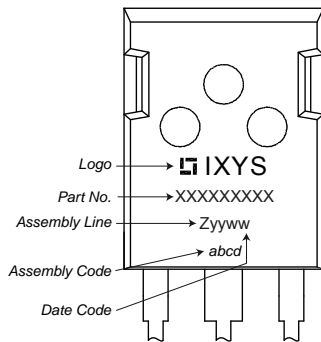


DSB30C45HB

preliminary

Package TO-247			Ratings			
Symbol	Definition	Conditions	min.	typ.	max.	Unit
I_{RMS}	RMS current	per terminal ¹⁾			50	A
T_{VJ}	virtual junction temperature		-55		150	°C
T_{op}	operation temperature		-55		125	°C
T_{stg}	storage temperature		-55		150	°C
Weight				6		g
M_D	mounting torque		0.8		1.2	Nm
F_C	mounting force with clip		20		120	N

Product Marking



Part number

- D = Diode
- S = Schottky Diode
- B = ultra low VF
- 30 = Current Rating [A]
- C = Common Cathode
- 45 = Reverse Voltage [V]
- HB = TO-247AD (3)

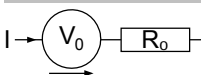
Ordering	Part Number	Marking on Product	Delivery Mode	Quantity	Code No.
Standard	DSB30C45HB	DSB30C45HB	Tube	30	504141

Similar Part	Package	Voltage class
DSB30C45PB	TO-220AB (3)	45

Equivalent Circuits for Simulation

* on die level

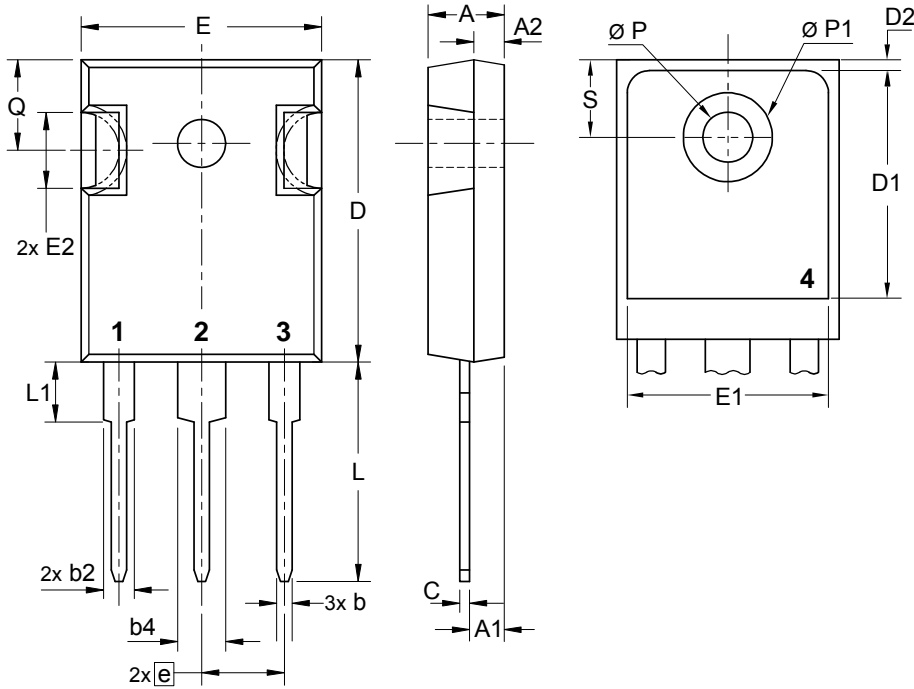
$T_{VJ} = 150\text{ °C}$



Schottky

$V_{0\ max}$	threshold voltage	0.31	V
$R_{0\ max}$	slope resistance *	12.4	mΩ

Outlines TO-247



Sym.	Inches		Millimeter	
	min.	max.	min.	max.
A	0.185	0.209	4.70	5.30
A1	0.087	0.102	2.21	2.59
A2	0.059	0.098	1.50	2.49
D	0.819	0.845	20.79	21.45
E	0.610	0.640	15.48	16.24
E2	0.170	0.216	4.31	5.48
e	0.215 BSC		5.46 BSC	
L	0.780	0.800	19.80	20.30
L1	-	0.177	-	4.49
Ø P	0.140	0.144	3.55	3.65
Q	0.212	0.244	5.38	6.19
S	0.242 BSC		6.14 BSC	
b	0.039	0.055	0.99	1.40
b2	0.065	0.094	1.65	2.39
b4	0.102	0.135	2.59	3.43
c	0.015	0.035	0.38	0.89
D1	0.515	-	13.07	-
D2	0.020	0.053	0.51	1.35
E1	0.530	-	13.45	-
Ø P1	-	0.29	-	7.39

