

Excellent Integrated System Limited

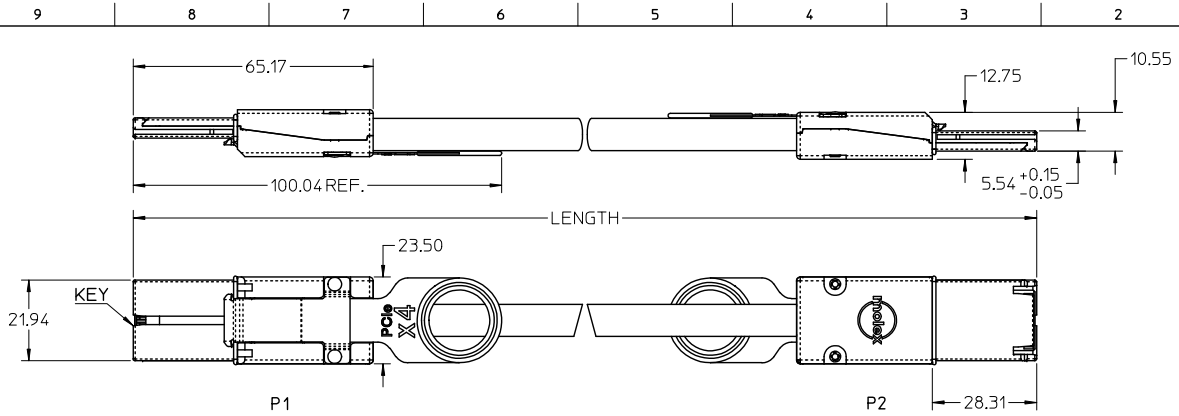
Stocking Distributor

Click to view price, real time Inventory, Delivery & Lifecycle Information:

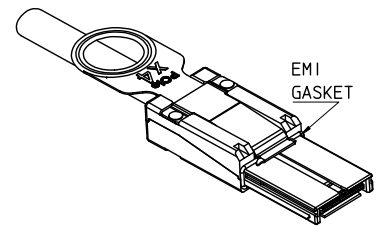
[Molex Connector Corporation](#)
[0745460405](#)

For any questions, you can email us directly:

sales@integrated-circuit.com



MOLEX P/N	LENGTH	GAGE	TOLERANCE	JACKET RATING
745460400	0.5M	28	0.03M	VW1
745460401	1.0M	28	0.05M	VW1
745460411	1.25M	28	0.05M	VW1
745460402	2.0M	28	0.05M	VW1
745460403	3.0M	28	0.05M	VW1
745460404	4.0M	28	0.10M	VW1
745460405	5.0M	26	0.10M	CL2
745460406	6.0M	26	0.13M	CL2
745460407	7.0M	24	0.13M	CL2
745460408	8.0M Δ	24	0.13M	CL2
745460409	9.0M Δ	24	0.15M	CL2
745460410	10.0M Δ	24	0.15M	CL2
745460415	15.0M Δ	24	0.15M	CL2



NOTES:

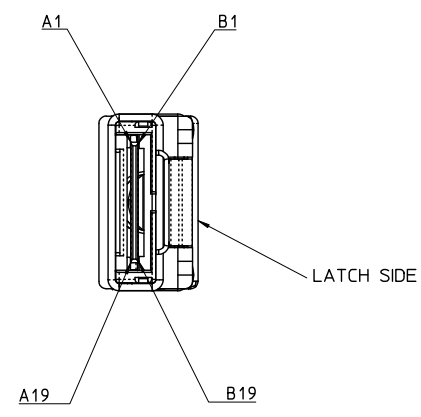
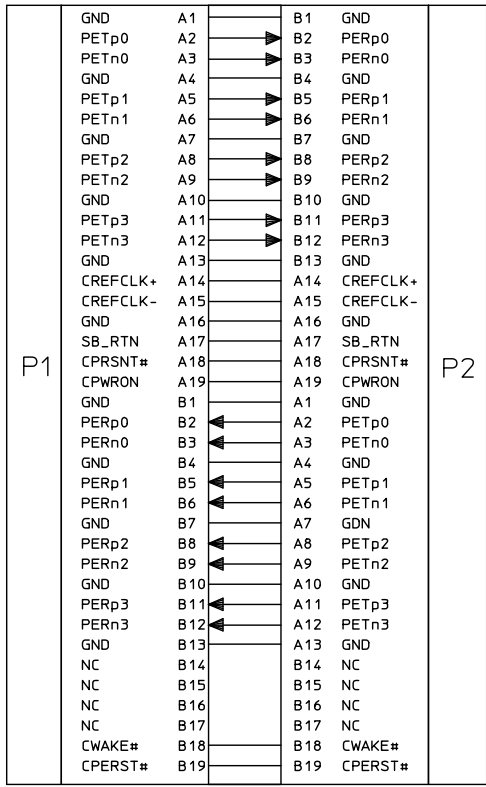
- MATERIAL - BACKSHELLS - ZINC DIECAST
PULL - NYLON
CABLE JACKET RATING - SEE TABLE
 - LENGTH AND TOLERANCE - SEE TABLE
 - ELECTRICAL PERFORMANCE PER PCI EXPRESS EXTERNAL CABLING SPEC.
 - PLUG MATES TO RECEPTACLE 75586-0010, AND EMI GUIDE HOUSING ASSY.74540-0400
 - THIS PRODUCT MEETS THE RESTRICTION OF HAZARDOUS SUBSTANCES IN ELECTRICAL AND ELECTRONIC EQUIPMENT (RoHS) DIRECTIVE (2002/95/EC).
- Δ . NOT COMPLIANT WITH INSERTION LOSS SPEC. PER. THE PCIe CABLING SPEC.

IPASS™ IS A TRADEMARK OF MOLEX

ADDED P/N EC NO: USY2009-0263 DRAWN BY: ERMIN 2009/01/08 CHKD BY: SCHROETER 2009/01/08 APPROVED BY: 2009/01/12 REV	QUALITY SYMBOLS $\nabla=0$ $\nabla=0$	GENERAL TOLERANCES (UNLESS SPECIFIED)		DIMENSION STYLE MM ONLY		SCALE 1:1	DESIGN UNITS METRIC	THIRD ANGLE PROJECTION	
		4 PLACES \pm --- \pm --- 3 PLACES \pm --- \pm --- 2 PLACES \pm 0.13 \pm --- 1 PLACE \pm 0.25 \pm --- ANGULAR \pm 1/2°	mm INCH	DRAWN BY BREED	DATE 2005/02/02	TITLE I-PASS X4 CABLE ASSEMBLY GEN 1			
		DRAFT WHERE APPLICABLE MUST REMAIN WITHIN DIMENSIONS		CHECKED BY DDOYE	DATE 2005/02/02	APPROVED BY DDOYE			
		MATERIAL NO. SEE TABLE		DATE 2005/02/02		MOLEX INCORPORATED		DOCUMENT NO. SD-74546-400	SHEET NO. 1 OF 3

THIS DRAWING CONTAINS INFORMATION THAT IS PROPRIETARY TO MOLEX INCORPORATED AND SHOULD NOT BE USED WITHOUT WRITTEN PERMISSION

10 9 8 7 6 5 4 3 2 1

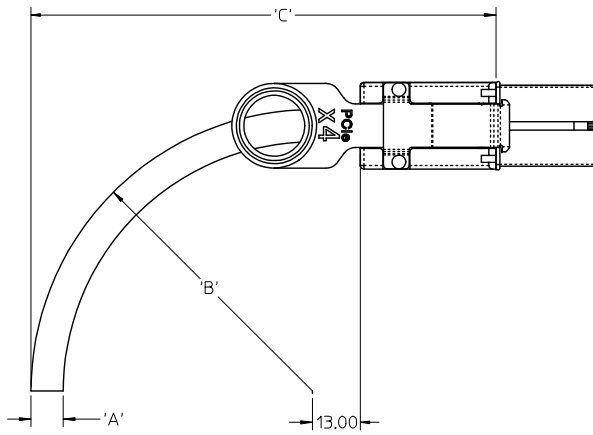


IPASS™ IS A TRADEMARK OF MOLEX

ADDED P/N EC NO: USY2009-0263 DRW:JERWIN 2009/01/08 CHK:BSCHUSTER 2009/01/08 APPR:DDOYE 2009/01/12 REV	QUALITY SYMBOLS ▽=0 ▽=0	GENERAL TOLERANCES (UNLESS SPECIFIED) <table border="1"> <tr><th></th><th>mm</th><th>INCH</th></tr> <tr><td>4 PLACES</td><td>± .13</td><td>± .005</td></tr> <tr><td>3 PLACES</td><td>± .13</td><td>± .005</td></tr> <tr><td>2 PLACES</td><td>± 0.13</td><td>± .005</td></tr> <tr><td>1 PLACE</td><td>± 0.25</td><td>± .010</td></tr> </table>		mm	INCH	4 PLACES	± .13	± .005	3 PLACES	± .13	± .005	2 PLACES	± 0.13	± .005	1 PLACE	± 0.25	± .010	DIMENSION STYLE MM ONLY DRAWN BY BREED DATE 2005/02/02 CHECKED BY DDOYE DATE 2005/02/02 APPROVED BY DDOYE DATE 2005/02/02	SCALE 1:1 DESIGN UNITS METRIC THIRD ANGLE PROJECTION	TITLE I-PASS X4 CABLE ASSEMBLY GEN 1
		mm	INCH																	
	4 PLACES	± .13	± .005																	
	3 PLACES	± .13	± .005																	
2 PLACES	± 0.13	± .005																		
1 PLACE	± 0.25	± .010																		
DRAFT WHERE APPLICABLE MUST REMAIN WITHIN DIMENSIONS		MATERIAL NO. SEE TABLE DOCUMENT NO. SD-74546-400	MOLEX INCORPORATED	SHEET NO. 2 OF 3																
THIS DRAWING CONTAINS INFORMATION THAT IS PROPRIETARY TO MOLEX INCORPORATED AND SHOULD NOT BE USED WITHOUT WRITTEN PERMISSION																				
SIZE B																				

9 8 7 6 5 4 3 2 1

10 9 8 7 6 5 4 3 2 74546



CABLE GAUGE	24	26	28
A CABLE DIAMETER	10.54	9.53	8.75
B MINIMUM OUTER RADIUS	42.00	38.00	35.00
C FACEPLATE TO OUTER RADIUS	91.86	87.86	84.86

IPASS™ IS A TRADEMARK OF MOLEX

ADDED P/N EC NO: USY2009-0263 DRAWN BY: ERWIN 2009/01/08 CHECKED BY: SCHESTER 2009/01/08 APPROVED BY: DDDOYE 2009/01/12	QUALITY SYMBOLS	GENERAL TOLERANCES (UNLESS SPECIFIED) <table border="1"> <thead> <tr> <th></th> <th>mm</th> <th>INCH</th> </tr> </thead> <tbody> <tr> <td>4 PLACES</td> <td>± .005</td> <td>± .0004</td> </tr> <tr> <td>3 PLACES</td> <td>± .008</td> <td>± .0003</td> </tr> <tr> <td>2 PLACES</td> <td>± 0.13</td> <td>± .005</td> </tr> <tr> <td>1 PLACE</td> <td>± 0.25</td> <td>± .010</td> </tr> </tbody> </table>		mm	INCH	4 PLACES	± .005	± .0004	3 PLACES	± .008	± .0003	2 PLACES	± 0.13	± .005	1 PLACE	± 0.25	± .010	DIMENSION STYLE	SCALE	DESIGN UNITS	THIRD ANGLE PROJECTION
			mm	INCH																	
	4 PLACES		± .005	± .0004																	
	3 PLACES		± .008	± .0003																	
2 PLACES	± 0.13	± .005																			
1 PLACE	± 0.25	± .010																			
DESCRIPTION	MM ONLY	1:1	METRIC	TITLE I-PASS X4 CABLE ASSEMBLY GEN 1																	
REV	DRAFT WHERE APPLICABLE MUST REMAIN WITHIN DIMENSIONS ANGULAR ±1/2°	DRAWN BY: BREED DATE: 2005/02/02 CHECKED BY: DDOYE DATE: 2005/02/02 APPROVED BY: DDOYE DATE: 2005/02/02	MATERIAL NO. SEE TABLE	DOCUMENT NO. SD-74546-400	MOLEX INCORPORATED	SHEET NO. 3 OF 3															
THIS DRAWING CONTAINS INFORMATION THAT IS PROPRIETARY TO MOLEX INCORPORATED AND SHOULD NOT BE USED WITHOUT WRITTEN PERMISSION																					

9 8 7 6 5 4 3 2 1