

Excellent Integrated System Limited

Stocking Distributor

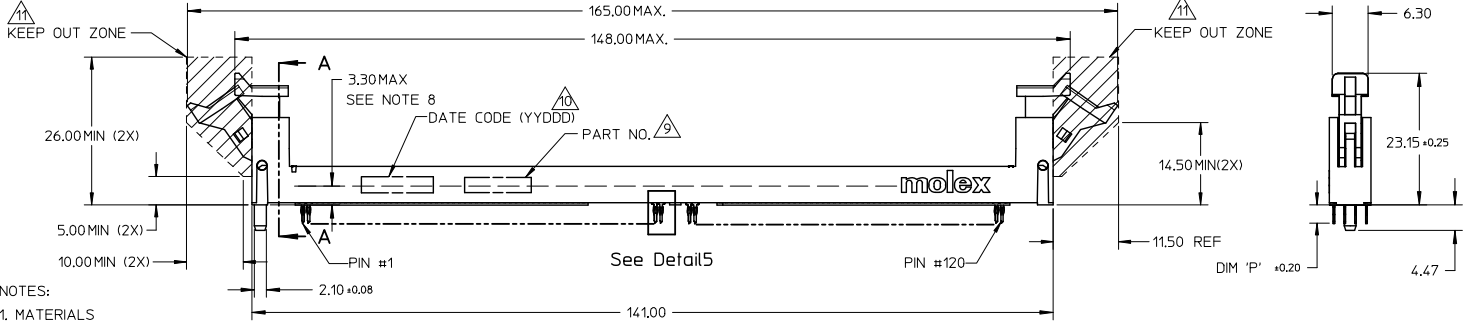
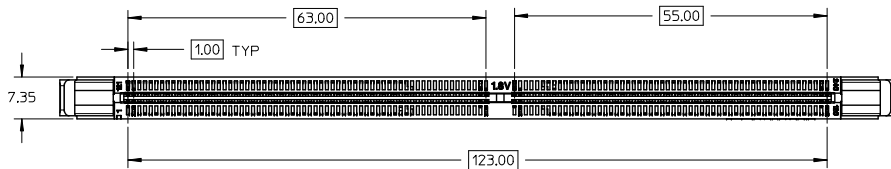
Click to view price, real time Inventory, Delivery & Lifecycle Information:

[Molex Connector Corporation](#)
[0877469011](#)

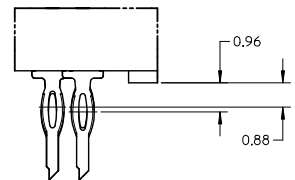
For any questions, you can email us directly:

sales@integrated-circuit.com

10 9 8 7 6 5 4 3 2 1



- NOTES:
- MATERIALS
HOUSING - HIGH TEMP. NYLON, GLASS-FILLED, UL 94V-0.
LATCH - HIGH TEMP. NYLON, GLASS-FILLED, UL 94V-0 - NATURAL POLYSULFONE, UL 94HB - CLEAR
(COLOUR OF THE HOUSING AND LATCH REFER TO TABLE ON SHEET 5 & 6).
TERMINAL - PHOSPHOR BRONZE
 - FINISHES - CONTACT AREA - SEE TABLE IN SHEET 5.
TAIL AREA - 15µIN(0.38µM) TO 60µIN(1.52µM) MIN.
TIN OVER 50µIN(1.27µM) MIN. NICKEL.
 - REFER TO PRODUCT SPEC. PS-87746-002 FOR PERFORMANCE SPECIFICATIONS.
 - PRODUCT SHALL BE PACKED IN TRAY.
 - CARD SLOT ACCEPTS 1.27±0.10 MM MODULE THICKNESS. (MEASURED OVER P.C. PADS)
 - RECOMMENDED MODULE LAYOUT SHALL BE AS PER JEDEC MO-237.
 - RECOMMENDED PLATING ON MODULE PADS: 30µIN(0.76µM) MIN. HARD GOLD OVER 79µIN(2µM) MIN. NICKEL.
 - DIMM MODULE SEATING PLANE FROM TOP OF PCB.
 - PART NUMBER SHALL BE MARKED LEGIBLY AS : 87746 XXXX
 - DATE CODE SHALL BE MARKED LEGIBLY AS SHOWN : YYDDD
 - KEEP OUT CROSS HATCHED ARE RESERVED FOR SOCKET EJECTORS AT BOTH ENDS.
 - KEEP OUT ZONE IS HEIGHT LIMITED PER 11.



Detail5

1. MATERIALS
2. FINISHES
3. REFER TO PRODUCT SPEC.
4. PRODUCT SHALL BE PACKED IN TRAY.
5. CARD SLOT ACCEPTS 1.27±0.10 MM MODULE THICKNESS.
6. RECOMMENDED MODULE LAYOUT SHALL BE AS PER JEDEC MO-237.
7. RECOMMENDED PLATING ON MODULE PADS: 30µIN(0.76µM) MIN. HARD GOLD OVER 79µIN(2µM) MIN. NICKEL.
8. DIMM MODULE SEATING PLANE FROM TOP OF PCB.
9. PART NUMBER SHALL BE MARKED LEGIBLY AS : 87746 XXXX
10. DATE CODE SHALL BE MARKED LEGIBLY AS SHOWN : YYDDD
11. KEEP OUT CROSS HATCHED ARE RESERVED FOR SOCKET EJECTORS AT BOTH ENDS.
12. KEEP OUT ZONE IS HEIGHT LIMITED PER 11.

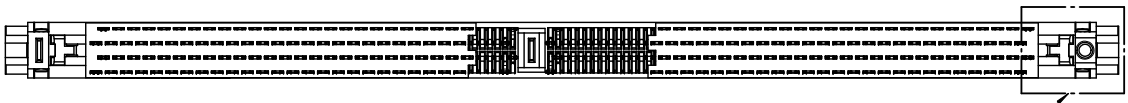
OBS DOC & P/N EC NO: S2014-0372 DRAWN:SKANG CHK:KHLONG APPR:HLONG	2014/01/07 2014/01/15 2014/01/15	QUALITY SYMBOLS ▽=0 ▽=0	GENERAL TOLERANCES (UNLESS SPECIFIED)		DIMENSION STYLE MM ONLY		SCALE NTS	DESIGN UNITS METRIC	THIRD ANGLE PROJECTION
			4 PLACES ± --- ± ---	3 PLACES ± --- ± ---	DRAWN BY CGOH	DATE 2002/06/13	TITLE DDR2 DIMM, 1.00MM PITCH 240 CKTS, VERT. PRESSFIT		
			2 PLACES ± 0.20 ± ---	1 PLACE ± --- ± ---	CHECKED BY DSOH	DATE 2002/08/07	MOLEX INCORPORATED		
			ANGULAR ± 5 °		APPROVED BY SKTOH	DATE 2002/08/08	MATERIAL NO. SEE TABLE		
			DRAFT WHERE APPLICABLE MUST REMAIN WITHIN DIMENSIONS		MATERIAL NO. SEE TABLE		DOCUMENT NO. SD-87746-001	SHEET NO. 1 OF 5	
			THIS DRAWING CONTAINS INFORMATION THAT IS PROPRIETARY TO MOLEX INCORPORATED AND SHOULD NOT BE USED WITHOUT WRITTEN PERMISSION						

9 8 7 6 5 4 3 2 1

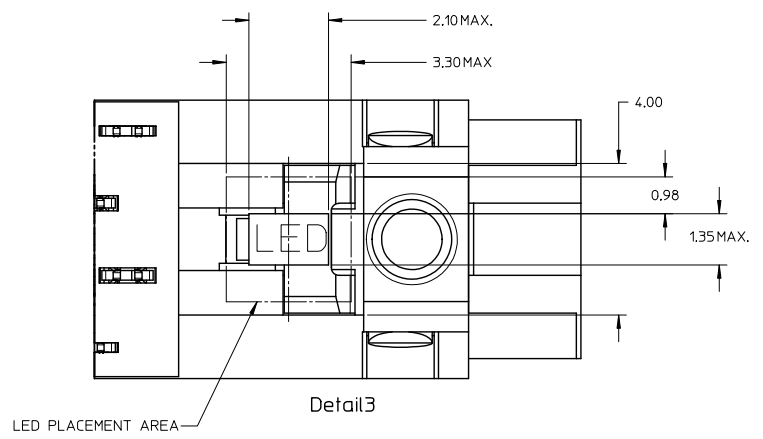
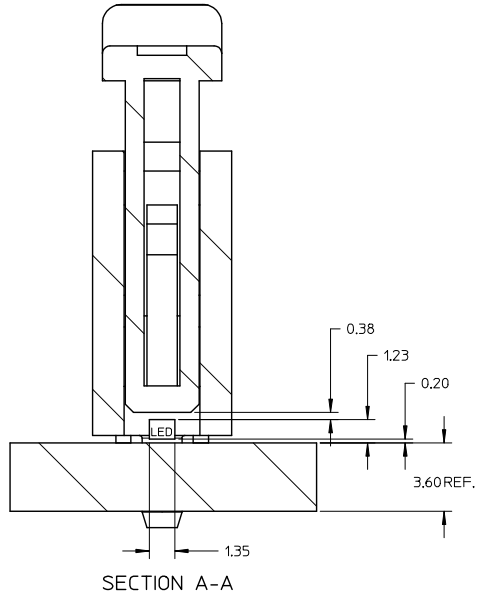
10 9 8 7 6 5 4 3 2 1

F
E
D
C
B
A

F
E
D
C
B
A



Detail3

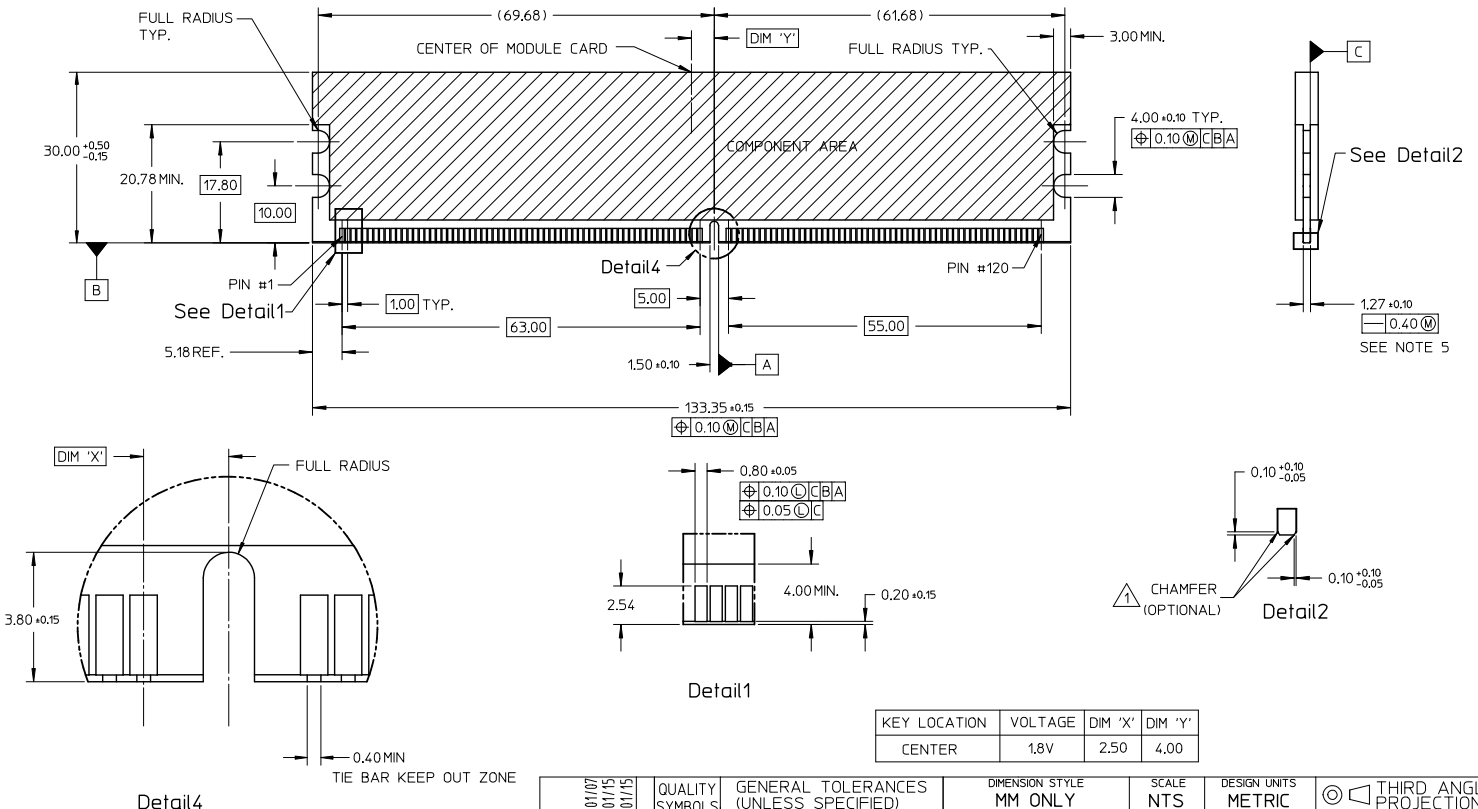


OBS DOC & P/N EC NO: S2014-0372 DRAWN: SKANG CHK: CHIAHLONG APP: HILONG	2014/01/07 2014/01/15 2014/01/15	DESCRIPTION REV	QUALITY SYMBOLS	GENERAL TOLERANCES (UNLESS SPECIFIED)	DIMENSION STYLE	SCALE	DESIGN UNITS	THIRD ANGLE PROJECTION
			▽=0	mm INCH	MM ONLY	NTS	METRIC	☉ □
			▽=0	4 PLACES ± --- ± ---	DRAWN BY DATE	TITLE		
				3 PLACES ± --- ± ---	CGOH 2002/06/13	DDR2 DIMM, 1.00MM PITCH		
	2 PLACES ± 0.20 ± ---	CHECKED BY DATE						
	1 PLACE ± --- ± ---	DSOH 2002/08/07						
	ANGULAR ± 5 °	APPROVED BY DATE						
		SKTOH 2002/08/08						
		MATERIAL NO.	SEE TABLE	DOCUMENT NO.				
		SIZE	A3					
		THIS DRAWING CONTAINS INFORMATION THAT IS PROPRIETARY TO MOLEX INCORPORATED AND SHOULD NOT BE USED WITHOUT WRITTEN PERMISSION						

9 8 7 6 5 4 3 2 1

10 9 8 7 6 5 4 3 2 1

RECOMMENDED MODULE LAYOUT



KEY LOCATION	VOLTAGE	DIM 'X'	DIM 'Y'
CENTER	1.8V	2.50	4.00

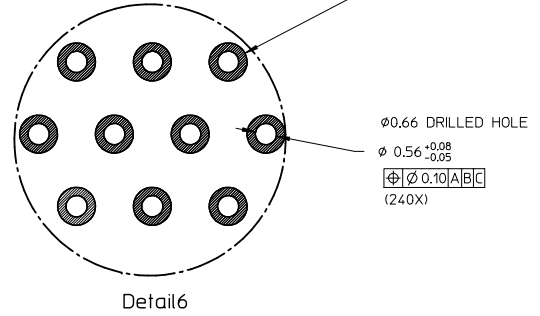
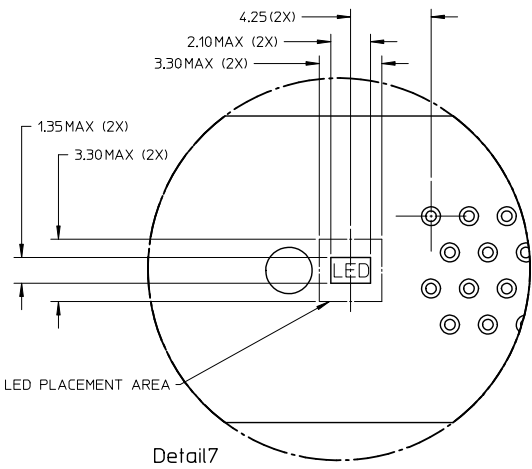
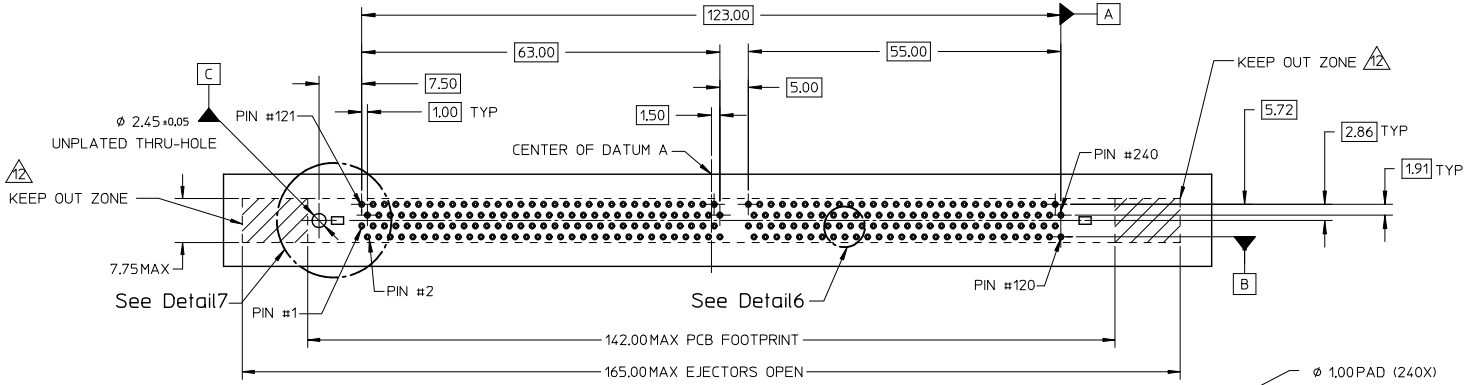
NOTES :
 △ MODULE CARD USED IN PRODUCT TESTING ARE CHAMFERED.

OBS DOC & P/N EC NO: S2014-0372 DRAWN: KWANG CHK: HILONG APPR: HILONG	QUALITY SYMBOLS	GENERAL TOLERANCES (UNLESS SPECIFIED)	DIMENSION STYLE	SCALE	DESIGN UNITS	THIRD ANGLE PROJECTION
	▽=0	mm INCH	MM ONLY	NTS	METRIC	
	▽=0	4 PLACES ± --- ± ---	DRAWN BY DATE	TITLE		
		3 PLACES ± --- ± ---	CGOH 2002/06/13	DDR2 DIMM, 1.00MM PITCH 240 CKTS, VERT. PRESSFIT		
	2 PLACES ± 0.20 ± ---	CHECKED BY DATE				
	1 PLACE ± --- ± ---	DSOH 2002/08/07				
	ANGULAR ± 5 °	APPROVED BY DATE				
		SKTOH 2002/08/08				
	DRAFT WHERE APPLICABLE MUST REMAIN WITHIN DIMENSIONS	MATERIAL NO.	SEE TABLE	DOCUMENT NO.		
		SIZE	THIS DRAWING CONTAINS INFORMATION THAT IS PROPRIETARY TO MOLEX INCORPORATED AND SHOULD NOT BE USED WITHOUT WRITTEN PERMISSION			
		A 3				
				MOLEX INCORPORATED		
				SD-87746-001		
					SHEET NO. 3 OF 5	

9 8 7 6 5 4 3 2 1

10 9 8 7 6 5 4 3 2 1

RECOMMENDED PCB HOLE PATTERN
SEE TABLE IN SHEET 5 FOR
RECOMMENDED PCB THICKNESS



OBS DOC & P/N EC NO: S2014-0372 DRAWN:SKANG CHK:CHILONG APPR:HLONG	QUALITY SYMBOLS ▽=0 ▽=0	GENERAL TOLERANCES (UNLESS SPECIFIED)		DIMENSION STYLE MM ONLY		SCALE NTS	DESIGN UNITS METRIC	THIRD ANGLE PROJECTION	
		4 PLACES	± ---	± ---	DRAWN BY CGOH	DATE 2002/06/13	TITLE DDR2 DIMM, 1.00MM PITCH 240 CKTS, VERT. PRESSFIT		
		3 PLACES	± ---	± ---	CHECKED BY	DATE	MOLEX INCORPORATED		
		2 PLACES	± 0.20	± ---	DSOH	2002/08/07	MATERIAL NO. SEE TABLE		
1 PLACE	± ---	± ---	APPROVED BY	DATE	DOCUMENT NO. SD-87746-001		SHEET NO. 4 OF 5		
DRAFT WHERE APPLICABLE MUST REMAIN WITHIN DIMENSIONS		ANGULAR ± 5 °		SKTOH		MATERIAL NO. SD-87746-001		THIS DRAWING CONTAINS INFORMATION THAT IS PROPRIETARY TO MOLEX INCORPORATED AND SHOULD NOT BE USED WITHOUT WRITTEN PERMISSION	

9 8 7 6 5 4 3 2 1

10 9 8 7 6 5 4 3 2 1

PART NO.	VOLTAGE KEY POS.	VOLTAGE KEY TEXT	TAIL LENGTH P+0.20	RECOMMENDED PCB THICKNESS	LUBRICATION	PLATING OPTION	LATCH COLOR	HOUSING COLOR
87746-8001	CENTER	1.8V	4.20	4.57	NO	SELECTIVE GOLD 0.38uM/ 15uIN MIN. GOLD OVER 1.27uM/ 50uIN MIN. NICKEL	NATURAL (OFF WHITE)	BLACK
87746-9001			3.30	3.60				
87746-9011	CENTER	1.8V	3.30	3.60	NO	SELECTIVE GOLD 0.76uM/ 30uIN MIN. GOLD OVER 1.27uM/ 50uIN MIN. NICKEL	CLEAR	
87746-8091	CENTER	1.8V	4.20	4.57	YES			
87746-9091			3.30	3.60				
87746-5201	CENTER	1.8V	4.20	4.57	NO	SELECTIVE GOLD 0.38uM/ 15uIN MIN. GOLD OVER 1.27uM/ 50uIN MIN. NICKEL	CLEAR	
87746-5301			3.30	3.60				
87746-5211	CENTER	1.8V	4.20	4.57	NO	SELECTIVE GOLD 0.76uM/ 30uIN MIN. GOLD OVER 1.27uM/ 50uIN MIN. NICKEL	CLEAR	
87746-5311			3.30	3.60				
87746-5291	CENTER	1.8V	4.20	4.57	YES		SELECTIVE GOLD 0.76uM/ 30uIN MIN. GOLD OVER 1.27uM/ 50uIN MIN. NICKEL	
87746-5391			3.30	3.60				
87746-5381			3.30	3.60				

OBS DOC & P/N EC NO: S2014-0372 DRAWN: SKANG CHECKED: LONG APPR: HLONG 2014/01/07 2014/01/15 2014/01/15	QUALITY SYMBOLS ▽=0 ▽=0	GENERAL TOLERANCES (UNLESS SPECIFIED)		DIMENSION STYLE MM ONLY		SCALE NTS	DESIGN UNITS METRIC	THIRD ANGLE PROJECTION	
		4 PLACES	± ---	± ---	DRAWN BY	DATE	TITLE DDR2 DIMM, 1.00MM PITCH 240 CKTS, VERT. PRESSFIT		
		3 PLACES	± ---	± ---	CGOH	2002/06/13			
		2 PLACES	± 0.20	± ---	CHECKED BY	DATE	MOLEX INCORPORATED		
1 PLACE	± ---	± ---	DSOH	2002/08/07					
ANGULAR ± 5 °		DRAFT WHERE APPLICABLE MUST REMAIN WITHIN DIMENSIONS		APPROVED BY SKTOH	DATE 2002/08/08	MATERIAL NO. SEE TABLE	DOCUMENT NO. SD-87746-001	SHEET NO. 5 OF 5	
THIS DRAWING CONTAINS INFORMATION THAT IS PROPRIETARY TO MOLEX INCORPORATED AND SHOULD NOT BE USED WITHOUT WRITTEN PERMISSION									

9 8 7 6 5 4 3 2 1