

Excellent Integrated System Limited

Stocking Distributor

Click to view price, real time Inventory, Delivery & Lifecycle Information:

[Molex Connector Corporation](#)
[0731010030](#)

For any questions, you can email us directly:

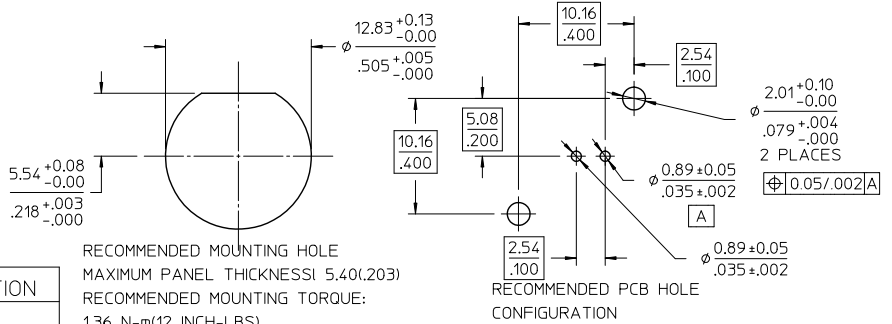
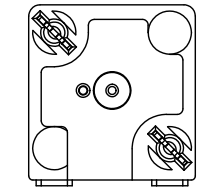
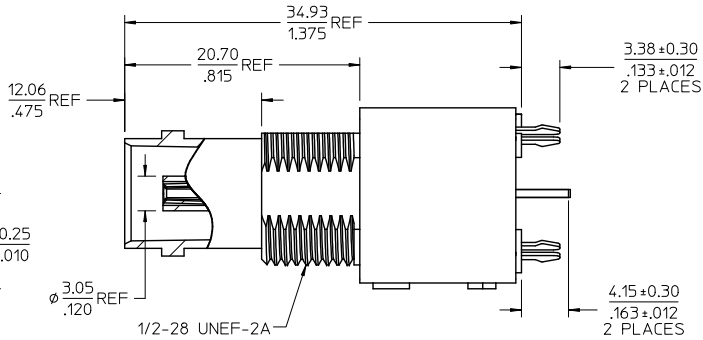
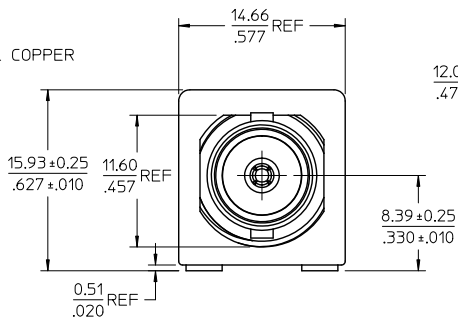
sales@integrated-circuit.com

MATERIALS AND FINISHES

- BODY ZINC ALLOY
PLATED NICKEL
- CENTER CONTACT PHOSPHOR BRONZE
PLATED GOLD
- INSULATOR POLYPROPYLENE (94V0)
- BOARD LOCK PHOSPHOR BRONZE
PLATED TIN
- SOLDER TAIL COPPER
PLATED TIN

BNC JACK
75 OHMS
INTERFACE

LEADS ARE TO BE
ADJUSTED TO FIT
PCB PATTERN



PART # 73101-0030

RECOMMENDED MOUNTING HOLE
MAXIMUM PANEL THICKNESS: 5.40(.203)
RECOMMENDED MOUNTING TORQUE:
1.36 N-m(12 INCH-LBS)

RECOMMENDED PCB HOLE
CONFIGURATION

PS-73598-0051	PRODUCT SPECIFICATION
SPECIFICATION	DESCRIPTION

CHG: CORRECT TYPO OF SOLDER TAIL PER RF11-E022 EC NO: 2010/09/23 DRAWN BY: 2010/09/30 CHKD: 2010/09/30 APPROV: MUHUANG 2010/09/30 REV: C2	QUALITY SYMBOLS ▽=0 ▽=0	GENERAL TOLERANCES (UNLESS SPECIFIED)		DIMENSION STYLE MM/IN		SCALE	DESIGN UNITS	THIRD ANGLE PROJECTION
		mm	INCH	DRAWN BY	DATE	TITLE	BNC JACK, VERTICAL PCB, DIE CAST, 75 OHMS BNC-J/PCB	MOLEX INCORPORATED
		4 PLACES ± ---	± ---	WILSON	1996/03/01			
		3 PLACES ± ---	± ---	CHECKED BY	DATE			
2 PLACES ± ---	± ---	APPROVED BY	DATE					
1 PLACE ± ---	± ---	MHUANG	2010/09/30					
ANGULAR ± 2 °		MATERIAL NO.	731010030	DOCUMENT NO.	SD-73101-003	SHEET NO.	1 OF 1	
DRAFT WHERE APPLICABLE MUST REMAIN WITHIN DIMENSIONS		SIZE	C	THIS DRAWING CONTAINS INFORMATION THAT IS PROPRIETARY TO MOLEX INCORPORATED AND SHOULD NOT BE USED WITHOUT WRITTEN PERMISSION				