



Distributor of Molex Connector Corporation: Excellent Integrated System Limited
Datasheet of 67171-2001 - Connector Receptacle USB TypeB 4 Position Through Hole,
Vertical

Contact us: sales@integrated-circuit.com Website: www.integrated-circuit.com

Excellent Integrated System Limited

Stocking Distributor

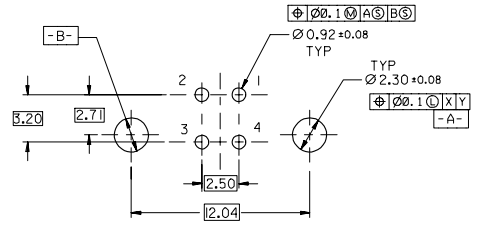
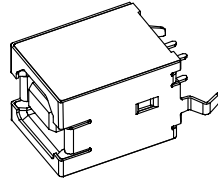
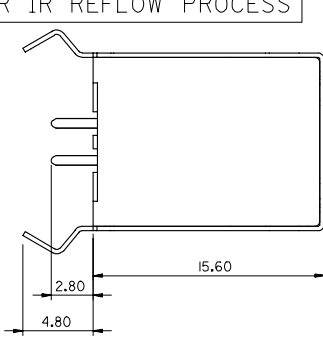
Click to view price, real time Inventory, Delivery & Lifecycle Information:

[Molex Connector Corporation](#)
[67171-2001](#)

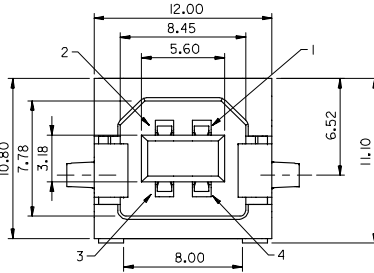
For any questions, you can email us directly:
sales@integrated-circuit.com

Contact us: sales@integrated-circuit.com Website: www.integrated-circuit.com

NOT FOR IR REFLOW PROCESS



RECOMMENDED PCB LAYOUT



PART NUMBER LEGEND:

P/N	COLOR	CONTACT PLATING	SHELL AND SOLDER TAIL PLATING
67171-0000	BLACK	GOLD FLASH	TIN-LEAD PLATING
67171-0001	BLACK	0.76 MICROMETER/ 30 MICROINCH GOLD	
67171-2000	BLACK	GOLD FLASH	PURE TIN PLATING (LEAD-FREE)
67171-2001	BLACK	0.76 MICROMETER/ 30 MICROINCH GOLD	
67171-3000	WHITE	GOLD FLASH	
67171-3001	WHITE	0.76 MICROMETER/ 30 MICROINCH GOLD	

NOTES :

- MATERIAL :
 HOUSING : HIGH TEMP. NYLON , GLASS FIBRE FILLED, UL94-V0 , COLOR:BLACK
 POLYESTER , GLASS FIBRE FILLED, UL94-V0 , COLOR: WHITE
 TERMINAL : PHOSPHOR BRONZE
 METAL SHELL : COPPER ALLOY
- PLATING :
 TERMINAL :
 CONTACT AREA : (a) GOLD FLASH.
 (b) GOLD (Au), THICKNESS = 30 MICROINCH MINIMUM.
 /0.76 MICROMETER MINIMUM.
 SOLDER TAIL : (a) TIN-LEAD(Sn-Pb)ALLOY,
 THICKNESS= 150 MICROINCH MINIMUM .
 /3.8 MICROMETER MINIMUM.
 (b) PURE TIN PLATING
 THICKNESS= 50 MICROINCH MINIMUM
 /1.27 MICROMETER MINIMUM.
 UNDER PLATE : NICKEL (Ni), THICKNESS= 50 MICROINCH MINIMUM.
 /1.27 MICROMETER MINIMUM.
 METAL SHELL :
 (a) TIN-LEAD (Sn-Pb) ALLOY, THICKNESS= 100 MICROINCH MINIMUM.
 /2.54 MICROMETER MINIMUM.
 (b) PURE TIN PLATING, THICKNESS= 50 MICROINCH MINIMUM
 /1.27 MICROMETER.
 UNDER PLATE : NICKEL (Ni), THICKNESS= 50 MICROINCH MINIMUM.
 /1.27 MICROMETER MINIMUM.
- RECOMMENDED PCB THICKNESS : 1.60±0.05mm
- PRODUCT SPECIFICATION : REFER TO PS-67998-0000

DELETE NON ROHS PRODUCTS EC NO: SH2006-0759 2006/10/26 DRINKYANG05 2006/10/28 CHKDHANG 2006/11/14 APPR: JICHEN	QUALITY SYMBOLS ▽=0 ▽=0	GENERAL TOLERANCES (UNLESS SPECIFIED)		DIMENSION STYLE MM ONLY	SCALE 4:1	DESIGN UNITS METRIC	THIRD ANGLE PROJECTION		
		4 PLACES ± --- ± --- 3 PLACES ± --- ± --- 2 PLACES ± 0.25 ± --- 1 PLACE ± 0.25 ± ---	mm INCH	DRAWN BY VL IN	DATE 1998/05/06	TITLE USB B VERTICAL CONNECTOR			
		ANGULAR ± 3 °		CHECKED BY VL IN	DATE 1998/05/06	MOLEX INCORPORATED			
		DRAFT WHERE APPLICABLE MUST REMAIN WITHIN DIMENSIONS		APPROVED BY MEGA LIN	DATE 1998/05/06	MATERIAL NO. SEE CHART	DOCUMENT NO. SD-67171-001	SHEET NO. 1 OF 1	