

Excellent Integrated System Limited

Stocking Distributor

Click to view price, real time Inventory, Delivery & Lifecycle Information:

[RF Solutions](#)
[QAM-TX3-433](#)

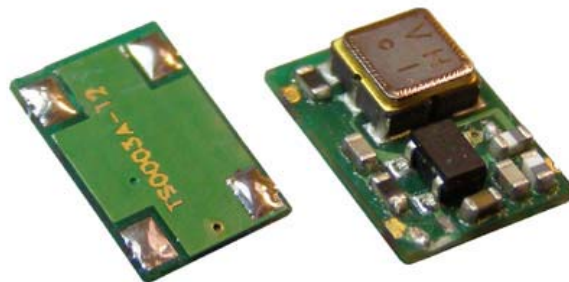
For any questions, you can email us directly:
sales@integrated-circuit.com

AM TRANSMITTER MODULE

QAM-TX3

Features

- Complete RF Transmitter
- SAW Resonator
- Transmit Range Up To 50m
- CMOS / TTL Input
- No Adjustable Components
- Stable Operating Frequency
- Wide Operating Voltage (3-12v)
- ASK Modulation
- Available as 315 or 433 MHz



Applications

- Wireless Security Systems
- Garage Door controller
- Remote Gate Controls
- Remote Sensing
- Data Capture
- Sensor Reporting

Description

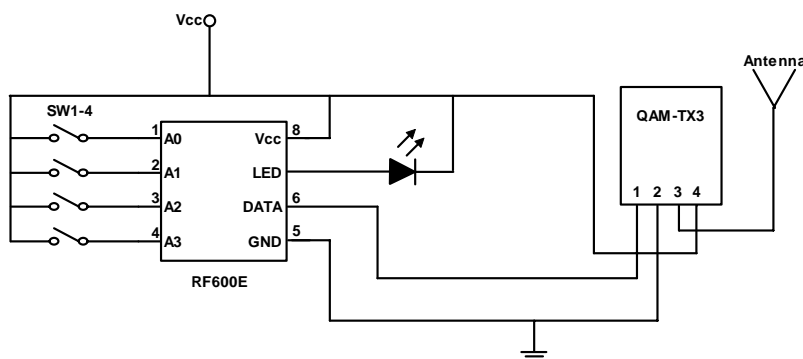
The Quasar UK AM hybrid transmitter module provides a complete RF transmitter which can be used to transmit data at up to 3KHz from any standard CMOS/TTL source.

The module is very simple to operate and offers a wide operating voltage range, the RF Power output increases in line with the voltage level applied to the module. Data can be supplied directly from a microprocessor or encoding device, thus keeping the component count down and ensuring a low hardware cost.

The modules are compatible with the Quasar UK Ltd. range of AM receivers to provide a complete solution.

Typical Application

For further information on this circuit please refer to the RF Solutions datasheet DS600.



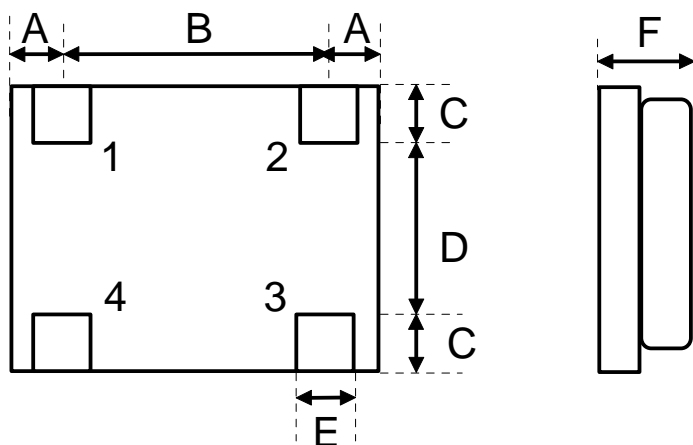
Part Numbers

Part Number	Description
QAM-TX3-433	AM Transmitter Module, 433MHz

AM TRANSMITTER MODULE

QAM-TX3

Technical Specifications



Please Note
 1. Components on reverse
 2. Dimensions in mm
 3. Tolerance of +/- 0.15

Dimensions

Pin	Measurements (mm)
A	1
B	5.08
C	1.0
D	3.2
E	1.2
F	1.8

Pin Descriptions

Pin	Name	Description
1	IN	Data input
2	GND	Ground
3	ANT	External Antenna
4	Vcc	Supply Voltage

Electrical Characteristics

Ambient temp = 25°C unless otherwise stated.

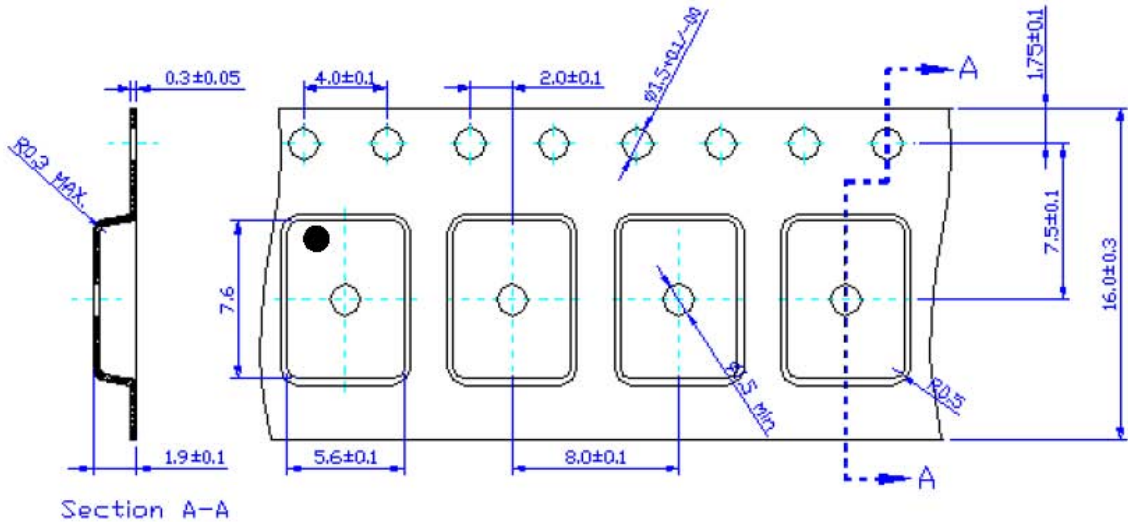
Characteristic	Min.	Typ.	Max.	Dimensions
Supply Voltage	3		12	Vdc
Supply Current (Vcc=12V)			12.5	mA
Output Power (Vcc=3V IN=1kHz)		10		dBm
Working Frequency		433.92		MHz
Frequency Accuracy		+/- 75		KHz
Data Rate		1	3,000	Hz
Operating Temperature	-20		+85	°C



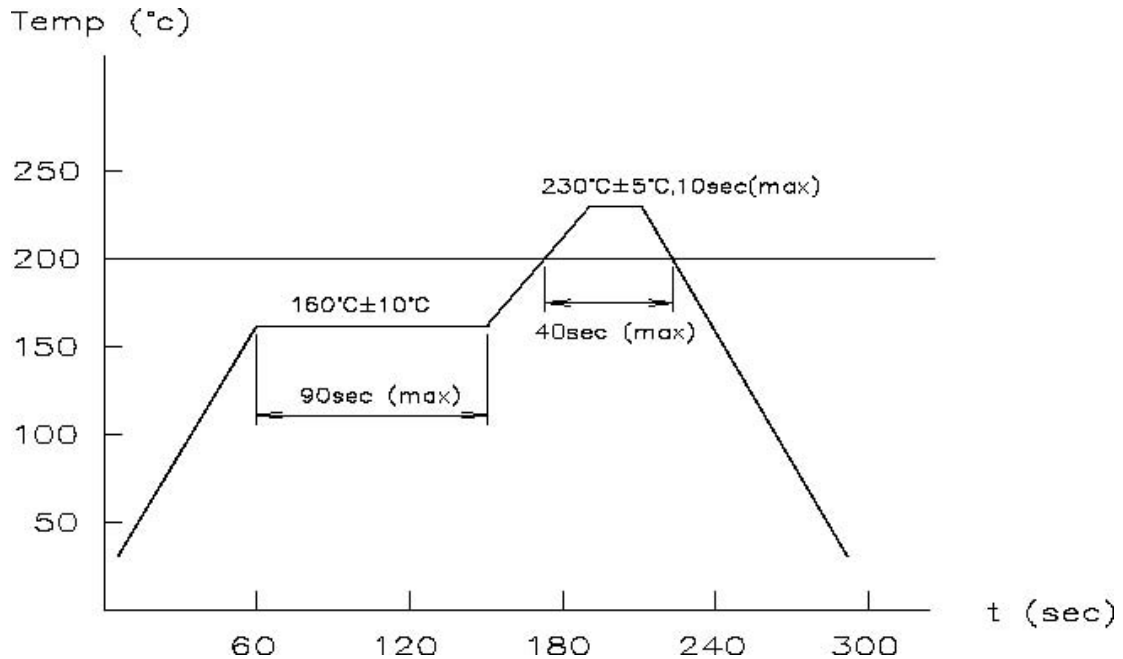
AM TRANSMITTER MODULE

QAM-TX3

Tape and Reel Dimensions



Maximum Soldering Profile



www.quasaruk.co.uk

