

Excellent Integrated System Limited

Stocking Distributor

Click to view price, real time Inventory, Delivery & Lifecycle Information:

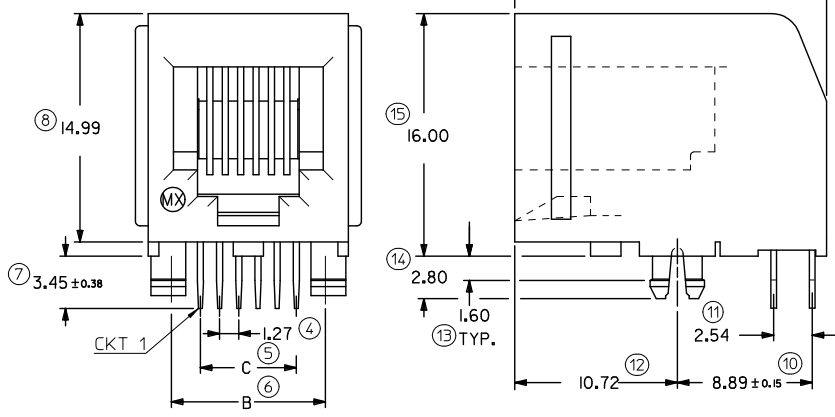
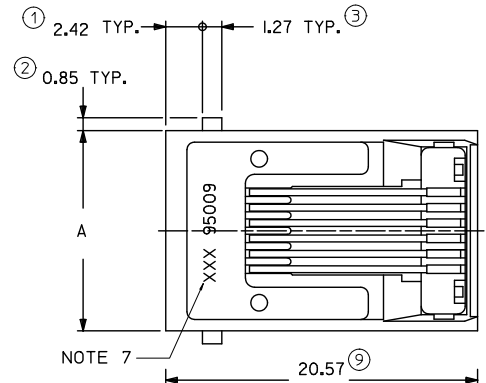
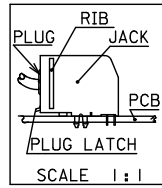
[Molex Connector Corporation](#)
[95009-2641](#)

For any questions, you can email us directly:

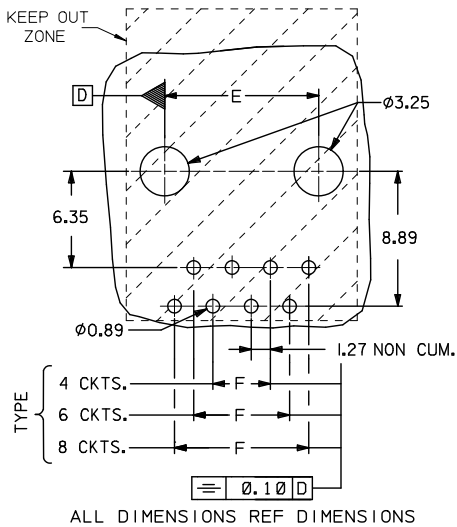
sales@integrated-circuit.com

NOTES :

- 1- MATERIAL : POLYESTER FIBER GLASS FILED 94-V-0
COLOR BLACK .
TERMINAL : COPPER ALLOY.
PLATINGS : BASE FINISH: NICKEL
CONTACT SURFACE FINISH:
GOLD
OR
GOLD FLASH OVER PALLADIUM NICKEL.
EXCEEDS PRODUCT REQUIREMENTS BASED ON PS-95009-001
- 2- PC BOARD THICKNESS : 1.57
- 3- JACK FOR MATING WITH IEC-60603-7 AND TIA-1096-A
MOLEX 90075 SERIES PLUGS
- 4- PRODUCT SPECIFICATION PS-95009-001.
- 5- APPLICATION SPECIFICATION AS-95001.
- 6- PACKAGING SPECIFICATION PK-95029.
- 7- MANUFACTURING ID CAN BE MXF, MG OR MXI.
INSPECTION NUMBERS USED: 1 - 50
LAST INSPECTION NUMBER: 15



MOUNTING HOLE PATTERNS
(SEE FROM COMPONENT SIDE)



| EDITED NOTES EC NO: IFC2012-0807 DRAWN BY: 2012/04/27 CHKD: SINGHREVEY 2012/04/27 APPR: EFULAN 2012/05/03 | QUALITY SYMBOLS ▽=0 ▽=0 | GENERAL TOLERANCES (UNLESS SPECIFIED) <table border="1"> <thead> <tr> <th></th> <th>mm</th> <th>INCH</th> </tr> </thead> <tbody> <tr> <td>4 PLACES</td> <td>± ---</td> <td>± ---</td> </tr> <tr> <td>3 PLACES</td> <td>± ---</td> <td>± ---</td> </tr> <tr> <td>2 PLACES</td> <td>± 0.25</td> <td>± ---</td> </tr> <tr> <td>1 PLACE</td> <td>± 0.35</td> <td>± ---</td> </tr> <tr> <td colspan="3">ANGULAR ± 1/2°</td> </tr> </tbody> </table> | | mm | INCH | 4 PLACES | ± --- | ± --- | 3 PLACES | ± --- | ± --- | 2 PLACES | ± 0.25 | ± --- | 1 PLACE | ± 0.35 | ± --- | ANGULAR ± 1/2° | | | DIMENSION STYLE MM ONLY | SCALE 4:1 | DESIGN UNITS METRIC | THIRD ANGLE PROJECTION |
|--|---|--|---|------------------------------------|------------------------------------|----------------------------|-------|-------|----------|-------|-------|----------|--------|-------|---------|--------|-------|----------------|--|--|-----------------------------------|---------------------|-------------------------------|------------------------|
| | | mm | INCH | | | | | | | | | | | | | | | | | | | | | |
| | 4 PLACES | ± --- | ± --- | | | | | | | | | | | | | | | | | | | | | |
| | 3 PLACES | ± --- | ± --- | | | | | | | | | | | | | | | | | | | | | |
| 2 PLACES | ± 0.25 | ± --- | | | | | | | | | | | | | | | | | | | | | | |
| 1 PLACE | ± 0.35 | ± --- | | | | | | | | | | | | | | | | | | | | | | |
| ANGULAR ± 1/2° | | | | | | | | | | | | | | | | | | | | | | | | |
| APPROVED BY DATE | DRAWN BY DP DATE 86/10/23 | CHECKED BY DATE | TITLE FLUSH MOUNT RIGHT ANGLE MODULAR JACK ASSEMBLY THROUGH HOLE VERSION | MOLEX MOLEX INCORPORATED | DOCUMENT NO. SDA-95009-F | SHEET NO. 1 OF 2 | | | | | | | | | | | | | | | | | | |
| DRAFT WHERE APPLICABLE MUST REMAIN WITHIN DIMENSIONS | MATERIAL NO. SEE CHART SHT 2 | SIZE A3 | THIS DRAWING CONTAINS INFORMATION THAT IS PROPRIETARY TO MOLEX INCORPORATED AND SHOULD NOT BE USED WITHOUT WRITTEN PERMISSION | | | | | | | | | | | | | | | | | | | | | |
| ALL DIMENSIONS REF DIMENSIONS | | | | | | | | | | | | | | | | | | | | | | | | |

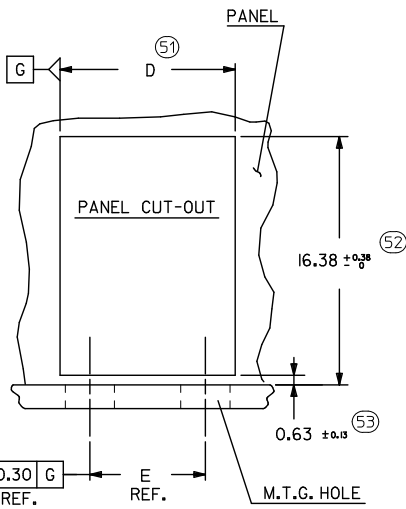
10 9 8 7 6 5 4 3 2 1

PART NUMBERS FOR JACK I RIB .

| TYPE | POS. 4 | TOOLED | POS. 6 | TOOLED | POS. 6 | TOOLED | POS. 8 | TOOLED |
|----------|------------|---------|------------|---------|------------|---------|------------|---------|
| | PLATING | 4 CKTS. | | 4 CKTS. | | 6 CKTS. | | 8 CKTS. |
| FINISH 7 | 95009-7441 | X | 95009-7641 | X | 95009-7661 | X | 95009-7881 | X |

PART NUMBERS FOR JACK NO RIB.

| TYPE | POS. 4 | TOOLED | POS. 6 | TOOLED | POS. 6 | TOOLED | POS. 8 | TOOLED |
|----------|------------|---------|------------|---------|------------|---------|------------|---------|
| | PLATING | 4 CKTS. | | 4 CKTS. | | 6 CKTS. | | 8 CKTS. |
| FINISH 7 | 95009-7447 | X | 95009-7647 | X | 95009-7667 | X | 95009-7887 | X |



| TYPE | POS. 4 | POS. 6 | | POS. 8 |
|--------------|---------|---------|---------|---------|
| | 4 CKTS. | 4 CKTS. | 6 CKTS. | 8 CKTS. |
| A | 11.18 | 13.21 | 13.21 | 15.24 |
| B | 7.62 | 10.16 | 10.16 | 11.43 |
| C | 3.81 | 3.81 | 6.35 | 8.89 |
| D $+0.38$ | 11.56 | 13.59 | 13.59 | 15.62 |
| E ± 0.10 | 7.62 | 10.16 | 10.16 | 11.43 |
| F ± 0.10 | 3.81 | 3.81 | 6.35 | 8.89 |

NOTES:

INSPECTION NUMBERS USED: 51 - 100
LAST INSPECTION NUMBER: 53

| ADDED PLATING OPTIONS EC NO: E2012-0040 DRAWN: JOCONOR 2011/04/07 CHKD: APPR: EFCU, AN 2011/10/13 | QUALITY SYMBOLS | GENERAL TOLERANCES (UNLESS SPECIFIED) | DIMENSION STYLE | SCALE | DESIGN UNITS | THIRD ANGLE PROJECTION | | | | | | | | | | | | | | | | | | |
|---|---|---|--------------------|---|-----------------------------|------------------------|------|------|----------|------|------|----------|-------|------|---------|-------|------|---------------|--|--|---------|-----|--------|--|
| | $\nabla=0$ $\nabla=0$ | <table border="1"> <tr> <th></th> <th>mm</th> <th>INCH</th> </tr> <tr> <td>4 PLACES</td> <td>±---</td> <td>±---</td> </tr> <tr> <td>3 PLACES</td> <td>±---</td> <td>±---</td> </tr> <tr> <td>2 PLACES</td> <td>±0.25</td> <td>±---</td> </tr> <tr> <td>1 PLACE</td> <td>±0.35</td> <td>±---</td> </tr> <tr> <td colspan="3">ANGULAR ±1/2°</td> </tr> </table> | | mm | INCH | 4 PLACES | ±--- | ±--- | 3 PLACES | ±--- | ±--- | 2 PLACES | ±0.25 | ±--- | 1 PLACE | ±0.35 | ±--- | ANGULAR ±1/2° | | | MM ONLY | 4:1 | METRIC | <input checked="" type="checkbox"/> THIRD ANGLE <input type="checkbox"/> PROJECTION |
| | | mm | INCH | | | | | | | | | | | | | | | | | | | | | |
| | 4 PLACES | ±--- | ±--- | | | | | | | | | | | | | | | | | | | | | |
| 3 PLACES | ±--- | ±--- | | | | | | | | | | | | | | | | | | | | | | |
| 2 PLACES | ±0.25 | ±--- | | | | | | | | | | | | | | | | | | | | | | |
| 1 PLACE | ±0.35 | ±--- | | | | | | | | | | | | | | | | | | | | | | |
| ANGULAR ±1/2° | | | | | | | | | | | | | | | | | | | | | | | | |
| DRAFT WHERE APPLICABLE MUST REMAIN WITHIN DIMENSIONS | DRAWN BY: DP DATE: 87/04/22 CHECKED BY: _____ DATE: _____ APPROVED BY: _____ DATE: _____ | MATERIAL NO. SEE CHART | MOLEX INCORPORATED | TITLE FLUSH MOUNT RIGHT ANGLE MODULAR JACK ASSEMBLY THROUGH HOLE VERSION | DOCUMENT NO. SDA-95009-F | SHEET NO. 2 OF 2 | | | | | | | | | | | | | | | | | | |
| SIZE A3 | THIS DRAWING CONTAINS INFORMATION THAT IS PROPRIETARY TO MOLEX INCORPORATED AND SHOULD NOT BE USED WITHOUT WRITTEN PERMISSION | | | | | | | | | | | | | | | | | | | | | | | |

9 8 7 6 5 4 3 2 1