

Excellent Integrated System Limited

Stocking Distributor

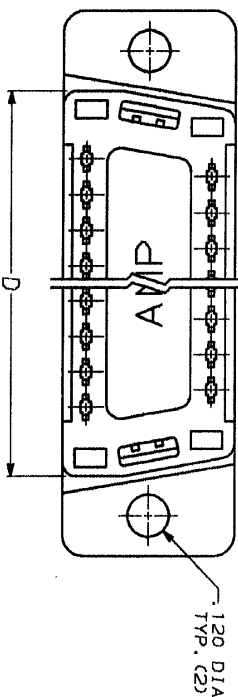
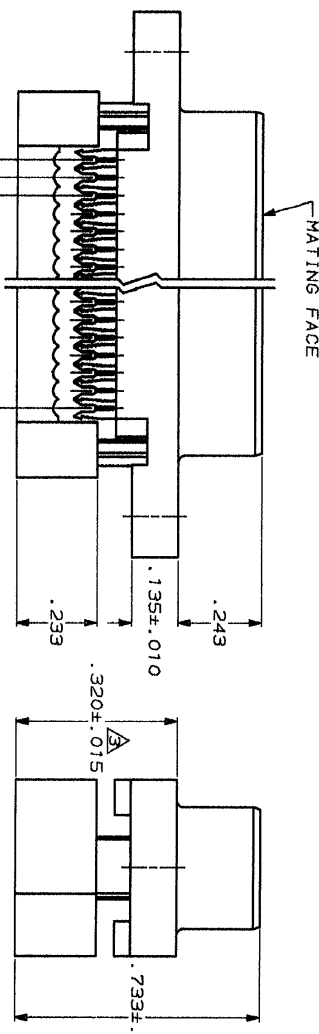
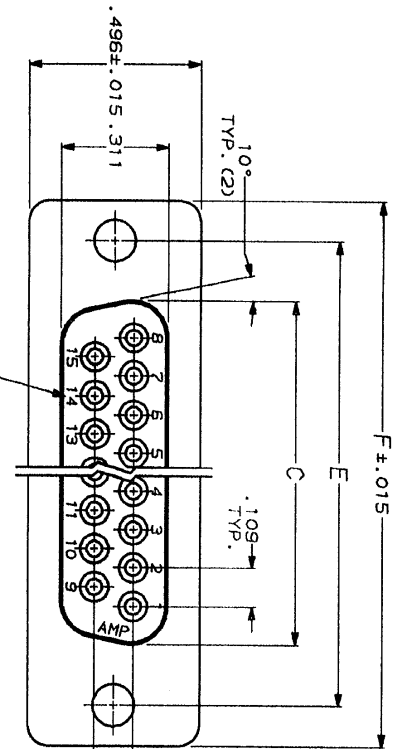
Click to view price, real time Inventory, Delivery & Lifecycle Information:

[TE Connectivity AMP Connectors](#)
[A7FFG-0906M](#)

For any questions, you can email us directly:
sales@integrated-circuit.com



DRAWING MADE IN THIRD ANGLE PROJECTION
 THIS DRAWING IS UNPUBLISHED. RELEASED FOR PUBLICATION
 © COPYRIGHT 19 BY AMP INCORPORATED HARRISBURG, PA. ALL INTERNATIONAL RIGHTS RESERVED. AMP PRODUCTS MAY BE COVERED BY U.S. AND FOREIGN PATENTS AND/OR PATENT PENDING.



- CONNECTORS COMPLY WITH AMP SPEC. 108-40, 012 AND MATE WITH ANY SAME NUMBER POSITION PLUG CONNECTOR IN APLMITE SERIES.
- CONNECTOR DESIGNED FOR 28 AND 26 AWG STRANDED AND SOLID CONDUCTOR RIBBON CABLE ON .050" DIMENSION APPLIES TO TERMINATED CONNECTOR.
- MOLDED PARTS: FLAME RETARDANT 94V-0 RATED THERMOPLASTIC; COLOR: BLACK.
- PHOS. BRONZE PER QQ-B-750.
- GOLD PLATING PER MIL-G-45204, BRIGHT TIN PLATING PER MIL-T-10727
- TIN LEAD PLATING PER MIL-P-81728, NICKEL PLATING PER QQ-N-290.
- PLATED WITH .000030 GOLD IN LOCALIZED GOLD PLATE AREA, .000100-.000200 BRIGHT TIN LEAD ON TERMINATION END, ALL OVER .000050 NICKEL ON ENTIRE CONTACT.

REV	DATE	APPROVED	DESCRIPTION	REVISIONS
1	10-10-84	JG	ECN-0048	RELEASED
2	10-08-84	ME WGL	ECN-CF1457	REVISED
3	2-18-84	JS	REV PER ECN B02622	REVISED
4	08-20-84		REV PER ECN B04356	REV PER ECN

DR	CHK	APPD	DESIGN APPD	OTHER APPD
J. GERACE 9-15-83	J. GERACE 9-15-83	D. HOFFMAN 9-23-83	T. LYZINSKI 9-29-83	

CONTRACT NO	NAME	SCALE	SIZE	FINISH CONTACTS: A
	RECEPTACLE ASSEMBLY, LOW PROFILE HOF, W/ PREASSEMBLED COVER	NTS	C	

UNLESS OTHERWISE SPECIFIED DIMENSIONS ARE IN INCHES, TOLERANCES ON DECIMALS ANGLES	FINISH CONTACTS: A
± .005 ± 2°	

AMP 1471-6 REV 3-81
 20 SEP 1980 09:45:19 AMP109G

CUSTOMER DRAWING

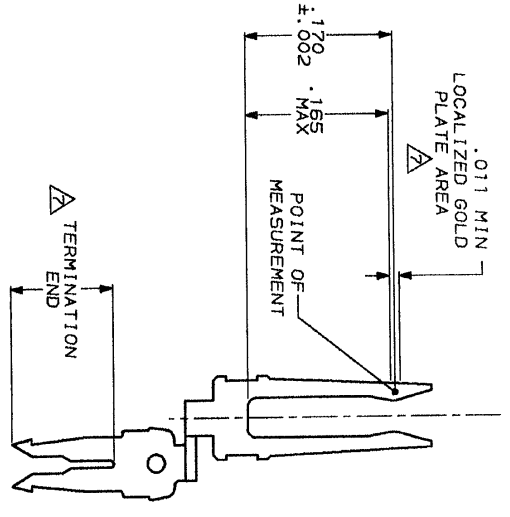
747318



DRAWING MADE IN THIRD ANGLE PROJECTION
 THIS DRAWING IS UNPUBLISHED.
 © COPYRIGHT 1987 BY AMP INCORPORATED. ALL INTERNATIONAL RIGHTS RESERVED.

NO	REV	DATE	APP'D
20	BD 39		

REV	DATE	DESCRIPTION
1		SEE SHEET 1



CONTACT DETAIL
 SCALE 10:1

DO NOT SCALE PRINT. UNLESS SPECIFIED DIMENSIONS IN INCHES TOLERANCES ON: 1. FRACTIONS ± .005 2. DECIMALS ± .005 3. ANGLES ± 2° MATERIAL	DR 11-3-87 M. ERLER CHK 11-4-87 M. G. LEKKER APP'D - PRODUCT SPEC	NAME RECEPTACLE ASSEMBLY, LOW PROFILE HDF, W/ PREASSEMBLED COVER
--	--	--

FINISH	APPLICATION SPEC	SIZE	FSCH NO	DRAWING NO
-	-	C	00779	747318
WEIGHT	-	SCALE	N/S	SHEET
-	-	-	-	2 OF 2

CUSTOMER DRAWING

747318

AMP 107-1 REV 5-87
 20 SEP 1990 09:49:36 AMPT09G0906M.DWG