

Excellent Integrated System Limited

Stocking Distributor

Click to view price, real time Inventory, Delivery & Lifecycle Information:

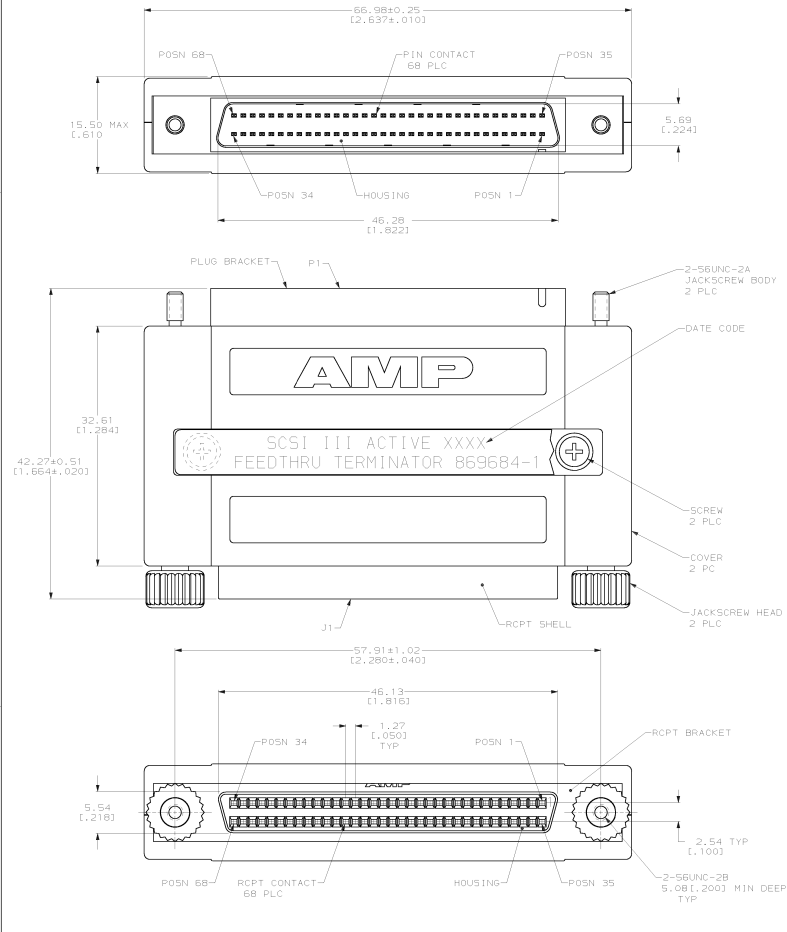
[TE Connectivity AMP Connectors](#)
[869684-1](#)

For any questions, you can email us directly:

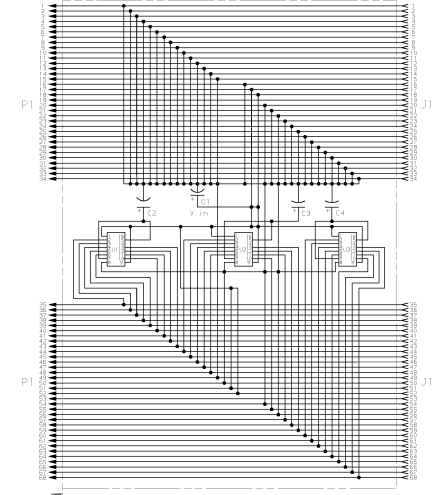
sales@integrated-circuit.com

THIS DRAWING IS UNCONTROLLED. RELEASED FOR PUBLICATION. BY AMP INCORPORATED. ALL INTERNATIONAL RIGHTS RESERVED. © COPYRIGHT 14

REV	DATE	DESCRIPTION	BY	APPD
62		REVISED PER EC 0514-0043-99	290099	JG



- ▲ JACKSCREW BODIES; STAINLESS STEEL; SHELL AND SCREWS; CARBON STEEL; CONTACTS; PHOSPHOR BRONZE; HOUSINGS; POLYESTER, BLACK; SHIELD; COPPER; COVER; ABS, GREY, UL 94V-0; JACKSCREW HEADS; PVC, BEIGE; BRACKETS; ZINC; FLEX FILM CIRCUIT; COPPER ON KAPTON.
- ▲ 5.08µm(0.000200) MIN TIN OR TIN-LEAD OVER 1.27µm(0.000050) MIN COPPER.
- ▲ PIN CONTACTS: 0.76µm(0.000030) MIN GOLD FOR A LENGTH OF 3.35(1.132) MIN FROM MATING END OVER 1.27µm(0.000050) MIN NICKEL; RECEPTACLE CONTACTS: 0.76µm(0.000030) MIN GOLD FOR A LENGTH OF 0.64(0.025) MIN, 0.13(0.005) MAX FROM MATING END OVER 1.27µm(0.000050) MIN NICKEL.
- ▲ 75.20µm(0.003000) MIN CARBONITRIDE TEMPER.
- ▲ 3.81µm(0.000150) MIN NICKEL OVER 5.08µm(0.000200) MIN COPPER.
- ▲ C2, C3, AND C4: 4.7µFD TANTALUM CAPACITOR RATED 15 VOLTS MIN; C1: 2.2µFD TANTALUM CAPACITOR RATED 15 VOLTS MIN, CAPACITOR TOLERANCE: ±20%; U1, U2, AND U3: DS2107AS.



▲ SCHEMATIC

869684-1		PART NO.	
DO NOT SCALE PRINT.	DR 1-3-93	AMP	AMP Incorporated
UNLESS SPECIFIED DIMENSIONS IN MM (INCHES)	CHK 2-10-20	R. STONE	Harrisburg, PA 17105-3608
PLC DES = -	APPR 2-15-93	W.D. FLESHMAN	DATE
PLC DES = 0.131(0.005)	W.D. FLESHMAN	PRODUCT SPEC	ADAPTER ASSEMBLY, FEEDTHRU, ACTIVE.
ANGLES = -	DATE	SCSI III, 050 SERIES AMPLIHITE™, TERMINATOR	
FINISH	APPLICATION SPEC	SIZE	CAGE CODE
SHELLS		D	00779
SUBSTRATE		SCALE	C=869684
JACKSCREW BODIES	WEIGHT		1 OF 1