

## **Excellent Integrated System Limited**

Stocking Distributor

Click to view price, real time Inventory, Delivery & Lifecycle Information:

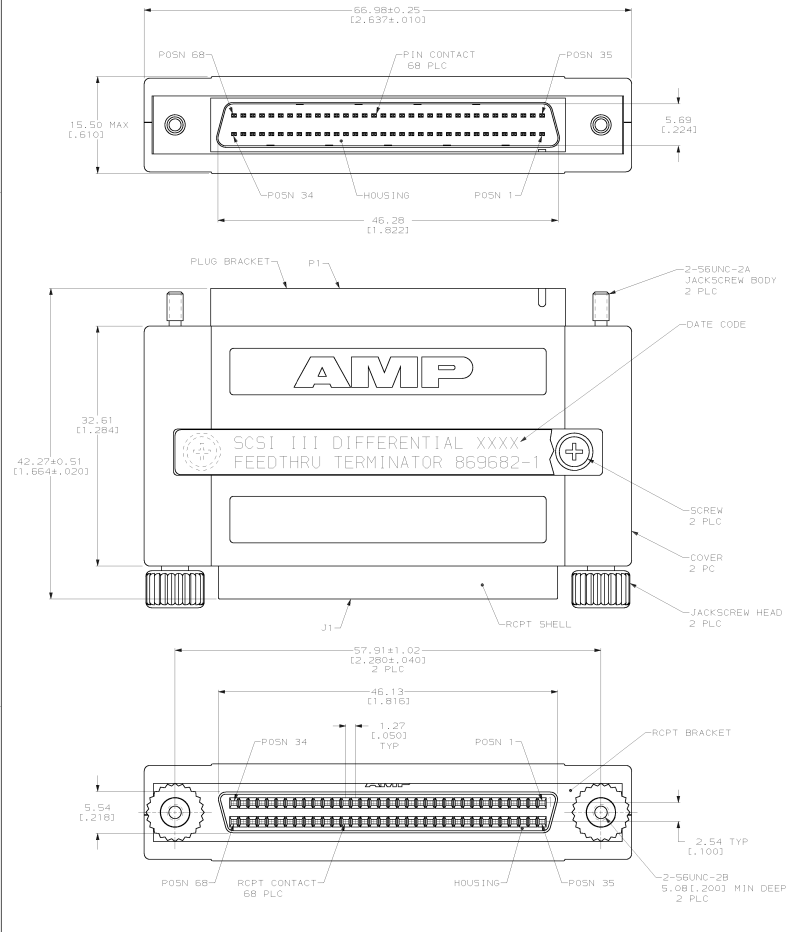
[TE Connectivity AMP Connectors](#)  
[869682-1](#)

For any questions, you can email us directly:

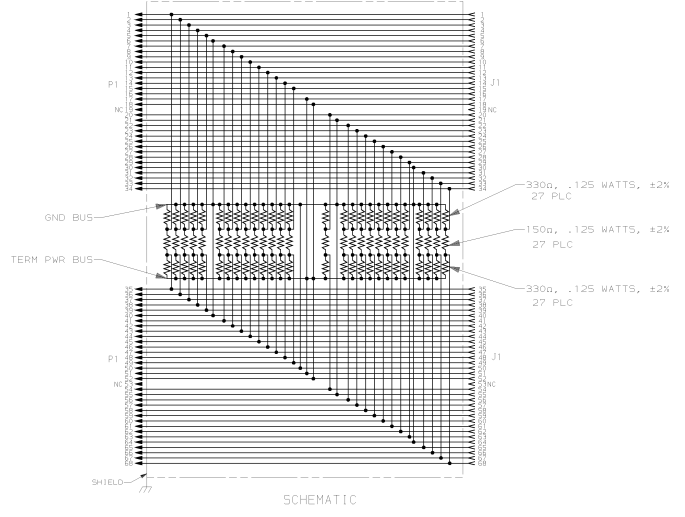
[sales@integrated-circuit.com](mailto:sales@integrated-circuit.com)

THIS DRAWING IS UNCLASSIFIED  
 RELEASED FOR PUBLICATION  
 BY AMP INCORPORATED. ALL INTERNATIONAL RIGHTS RESERVED.

REV	DATE	DESCRIPTION	BY	APPD
6	BD	REVISED PER EC 0514-0043-99		JG



- ⚠ JACKSCREW BODIES; STAINLESS STEEL; SHELL AND SCREWS; CARBON STEEL; CONTACTS; PHOSPHOR BRONZE; HOUSINGS; POLYESTER, BLACK; SHIELD; COPPER; COVER; ABS, GREY, UL 94V-0; JACKSCREW HEADS; PVC, BEIGE; BRACKETS; ZINC; FLEX FILM CIRCUIT; COPPER ON KAPTON.
- ⚠ PASSIVATED.
- ⚠ 5.08µm(0.000200) MIN TIN OR TIN-LEAD OVER 1.27µm(0.00050) MIN COPPER.
- ⚠ PIN CONTACTS: 0.76µm(0.00030) MIN GOLD FOR A LENGTH OF 3.35(1.32) MIN FROM MATING END OVER 1.27µm(0.00050) MIN NICKEL; RECEPTACLE CONTACTS: 0.76µm(0.00030) MIN GOLD FOR A LENGTH OF 0.64(0.25) MIN, 0.13(0.005) MAX FROM MATING END OVER 1.27µm(0.00050) MIN NICKEL.
- ⚠ 76.20µm(0.00300) MIN CARBONITRIDE TEMPER.
- ⚠ 3.81µm(0.00150) MIN NICKEL OVER 5.08µm(0.000200) MIN COPPER.



DO NOT SCALE PRINT.		DR 2-1-83	AMP INCORPORATED	
UNLESS SPECIFIED DIMENSIONS IN MM (INCHES)		CHK 2-10-82	Harrisburg, PA 17105-3608	
2 PLC DES #	APPR 2-15-83	DATE		
3 PLC DES #	APPR 2-15-83	DATE		
4 PLC DES #	APPR 2-15-83	DATE		
5 PLC DES #	APPR 2-15-83	DATE		
6 PLC DES #	APPR 2-15-83	DATE		
7 PLC DES #	APPR 2-15-83	DATE		
8 PLC DES #	APPR 2-15-83	DATE		
9 PLC DES #	APPR 2-15-83	DATE		
10 PLC DES #	APPR 2-15-83	DATE		
11 PLC DES #	APPR 2-15-83	DATE		
12 PLC DES #	APPR 2-15-83	DATE		
13 PLC DES #	APPR 2-15-83	DATE		
14 PLC DES #	APPR 2-15-83	DATE		
15 PLC DES #	APPR 2-15-83	DATE		
16 PLC DES #	APPR 2-15-83	DATE		
17 PLC DES #	APPR 2-15-83	DATE		
18 PLC DES #	APPR 2-15-83	DATE		
19 PLC DES #	APPR 2-15-83	DATE		
20 PLC DES #	APPR 2-15-83	DATE		
21 PLC DES #	APPR 2-15-83	DATE		
22 PLC DES #	APPR 2-15-83	DATE		
23 PLC DES #	APPR 2-15-83	DATE		
24 PLC DES #	APPR 2-15-83	DATE		
25 PLC DES #	APPR 2-15-83	DATE		
26 PLC DES #	APPR 2-15-83	DATE		
27 PLC DES #	APPR 2-15-83	DATE		
28 PLC DES #	APPR 2-15-83	DATE		
29 PLC DES #	APPR 2-15-83	DATE		
30 PLC DES #	APPR 2-15-83	DATE		
31 PLC DES #	APPR 2-15-83	DATE		
32 PLC DES #	APPR 2-15-83	DATE		
33 PLC DES #	APPR 2-15-83	DATE		
34 PLC DES #	APPR 2-15-83	DATE		
35 PLC DES #	APPR 2-15-83	DATE		
36 PLC DES #	APPR 2-15-83	DATE		
37 PLC DES #	APPR 2-15-83	DATE		
38 PLC DES #	APPR 2-15-83	DATE		
39 PLC DES #	APPR 2-15-83	DATE		
40 PLC DES #	APPR 2-15-83	DATE		
41 PLC DES #	APPR 2-15-83	DATE		
42 PLC DES #	APPR 2-15-83	DATE		
43 PLC DES #	APPR 2-15-83	DATE		
44 PLC DES #	APPR 2-15-83	DATE		
45 PLC DES #	APPR 2-15-83	DATE		
46 PLC DES #	APPR 2-15-83	DATE		
47 PLC DES #	APPR 2-15-83	DATE		
48 PLC DES #	APPR 2-15-83	DATE		
49 PLC DES #	APPR 2-15-83	DATE		
50 PLC DES #	APPR 2-15-83	DATE		
51 PLC DES #	APPR 2-15-83	DATE		
52 PLC DES #	APPR 2-15-83	DATE		
53 PLC DES #	APPR 2-15-83	DATE		
54 PLC DES #	APPR 2-15-83	DATE		
55 PLC DES #	APPR 2-15-83	DATE		
56 PLC DES #	APPR 2-15-83	DATE		
57 PLC DES #	APPR 2-15-83	DATE		
58 PLC DES #	APPR 2-15-83	DATE		
59 PLC DES #	APPR 2-15-83	DATE		
60 PLC DES #	APPR 2-15-83	DATE		
61 PLC DES #	APPR 2-15-83	DATE		
62 PLC DES #	APPR 2-15-83	DATE		
63 PLC DES #	APPR 2-15-83	DATE		
64 PLC DES #	APPR 2-15-83	DATE		
65 PLC DES #	APPR 2-15-83	DATE		
66 PLC DES #	APPR 2-15-83	DATE		
67 PLC DES #	APPR 2-15-83	DATE		
68 PLC DES #	APPR 2-15-83	DATE		
69 PLC DES #	APPR 2-15-83	DATE		
70 PLC DES #	APPR 2-15-83	DATE		
71 PLC DES #	APPR 2-15-83	DATE		
72 PLC DES #	APPR 2-15-83	DATE		
73 PLC DES #	APPR 2-15-83	DATE		
74 PLC DES #	APPR 2-15-83	DATE		
75 PLC DES #	APPR 2-15-83	DATE		
76 PLC DES #	APPR 2-15-83	DATE		
77 PLC DES #	APPR 2-15-83	DATE		
78 PLC DES #	APPR 2-15-83	DATE		
79 PLC DES #	APPR 2-15-83	DATE		
80 PLC DES #	APPR 2-15-83	DATE		
81 PLC DES #	APPR 2-15-83	DATE		
82 PLC DES #	APPR 2-15-83	DATE		
83 PLC DES #	APPR 2-15-83	DATE		
84 PLC DES #	APPR 2-15-83	DATE		
85 PLC DES #	APPR 2-15-83	DATE		
86 PLC DES #	APPR 2-15-83	DATE		
87 PLC DES #	APPR 2-15-83	DATE		
88 PLC DES #	APPR 2-15-83	DATE		
89 PLC DES #	APPR 2-15-83	DATE		
90 PLC DES #	APPR 2-15-83	DATE		
91 PLC DES #	APPR 2-15-83	DATE		
92 PLC DES #	APPR 2-15-83	DATE		
93 PLC DES #	APPR 2-15-83	DATE		
94 PLC DES #	APPR 2-15-83	DATE		
95 PLC DES #	APPR 2-15-83	DATE		
96 PLC DES #	APPR 2-15-83	DATE		
97 PLC DES #	APPR 2-15-83	DATE		
98 PLC DES #	APPR 2-15-83	DATE		
99 PLC DES #	APPR 2-15-83	DATE		
100 PLC DES #	APPR 2-15-83	DATE		