

Excellent Integrated System Limited

Stocking Distributor

Click to view price, real time Inventory, Delivery & Lifecycle Information:

[Molex Connector Corporation](#)
[0956232881](#)

For any questions, you can email us directly:
sales@integrated-circuit.com

TECHNICAL SPECIFICATIONS:

1- MATERIAL: HOUSING: LCP GLASS FILLED UL 94 V-0 COLOR : BLACK

TERMINAL : COPPER ALLOY PLATED WITH

BASE FINISH: NICKEL

CONTACT SURFACE FINISH:

GOLD,

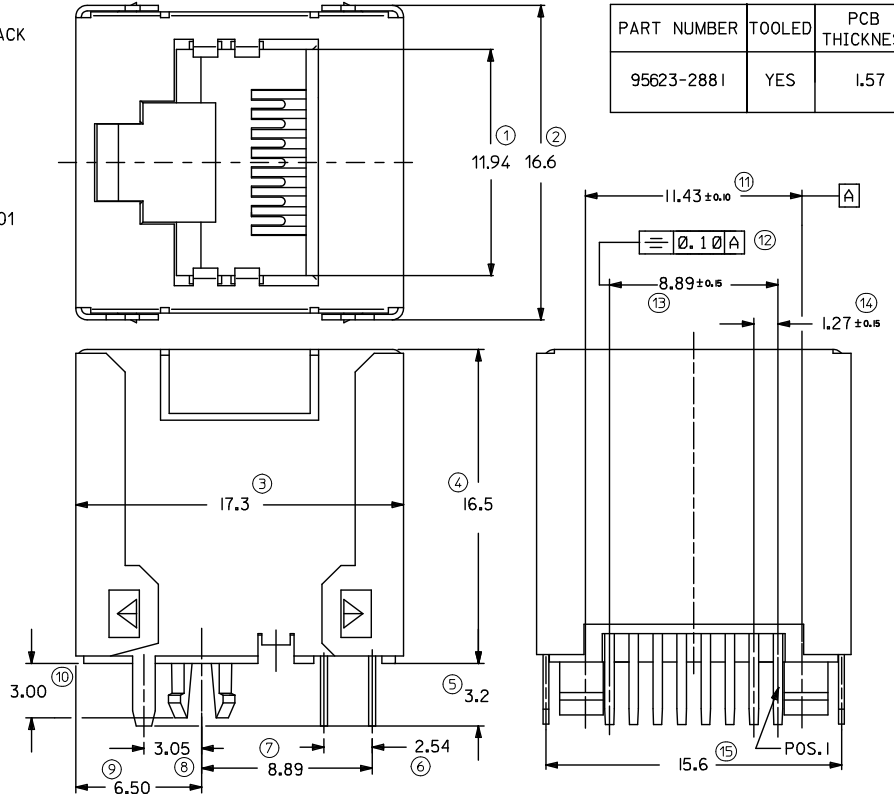
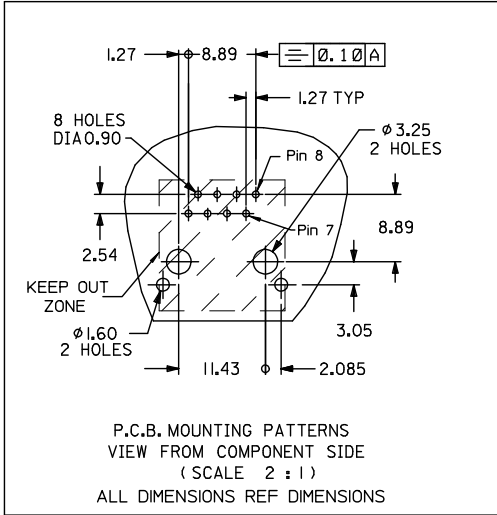
OR

GOLD FLASH OVER PALLADIUM NICKEL.

EXCEEDS PRODUCT REQUIREMENTS BASED ON PS-95623-001

SHIELD : COPPER ALLOY PLATED WITH TIN.

PART NUMBER	TOOLED	PCB THICKNESS
95623-2881	YES	1.57



NOTES :

- 1- JACK FOR MATING WITH IEC 60603-7 AND TIA-1096-A PLUGS 95043 MOLEX SERIES.
 - 2- PRODUCT SPECIFICATION: MOLEX PS-95623-001.
 - 3- PACKAGING SPECIFICATION: MOLEX PK-95123.
 - 4- P.C. BOARD THICKNESS (SEE CHART)
- LAST INSPECTION NUMBER: 15

SHEILD UPDATED IEC NO: IFG2016-0363 TIDRAWN: BYRNES 2015/04/08 CHKD: STORFFIN 2016/03/25 APPR: STORFFIN 2016/03/25	QUALITY SYMBOLS	GENERAL TOLERANCES (UNLESS SPECIFIED)	DIMENSION STYLE	SCALE	DESIGN UNITS	THIRD ANGLE PROJECTION	
	▽=0 ▽=0	mm INCH 4 PLACES ± --- ± --- 3 PLACES ± --- ± --- 2 PLACES ± 0.25 ± --- 1 PLACE ± 0.35 ± --- ANGULAR ± 1/2°	MM ONLY	5:1	METRIC	DRAWN BY DATE D. BYRNES 2006/11/14 CHECKED BY DATE EOMAHONY 2006/11/15 APPROVED BY DATE EOMAHONY 2006/11/15	
	DRAFT WHERE APPLICABLE MUST REMAIN WITHIN DIMENSIONS			MATERIAL NO. SEE CHART		TITLE FULLY SHIELDED TOP ENTRY MODULAR JACK 8 CKTS (THROUGH HOLE VERSION) MOLEX INCORPORATED	
				DOCUMENT NO. SD-95623-001		SHEET NO. 1 OF 1	

THIS DRAWING CONTAINS INFORMATION THAT IS PROPRIETARY TO MOLEX INCORPORATED AND SHOULD NOT BE USED WITHOUT WRITTEN PERMISSION