

Excellent Integrated System Limited

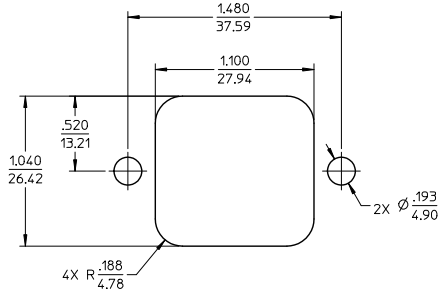
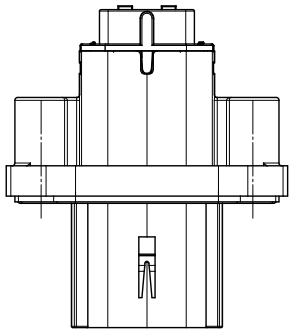
Stocking Distributor

Click to view price, real time Inventory, Delivery & Lifecycle Information:

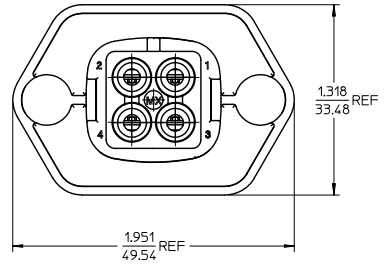
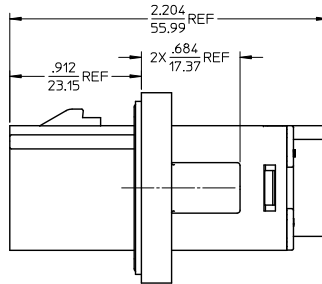
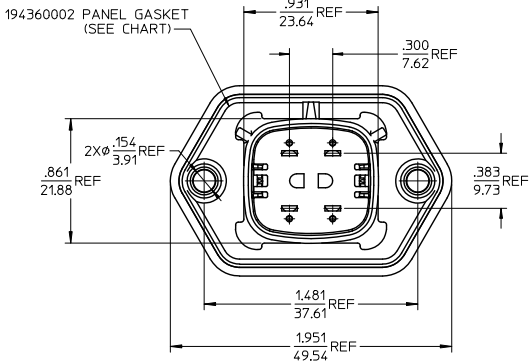
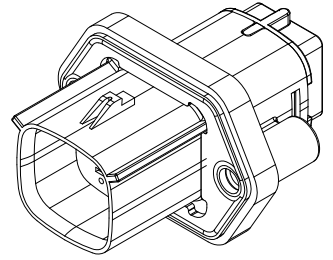
[Molex Connector Corporation](#)
[19436-0413](#)

For any questions, you can email us directly:

sales@integrated-circuit.com



RECOMMENDED PANEL MOUNT OPENING, MAXIMUM PANEL THICKNESS .080/2.03



NOTES:

- MATERIALS:
HOUSING: POLYESTER (PBT), GLASS FILLED, UL94 V-0,
COLOR: BLACK
TERMINALS: COPPER ALLOY
- GASKET: EPDM RUBBER
- PRODUCT SPECIFICATION: PS-19432-001
- PACKAGING SPECIFICATION: PK-19436-001
GASKETS, IF REQUIRED FOR THE ASSEMBLIES, ARE BULK PACKAGED IN A SEPARATE BAG.
- USE WITH MALE CRIMP TERMINAL SERIES 19431.
- MATES WITH 19432 SERIES RECEPTACLE ASSEMBLIES.
- RECOMMENDED MOUNTING HARDWARE: (2) #10 X .62/15.8 LONG PLASTIC THREAD CUTTING SCREWS, RECOMMENDED TORQUE 15-17 IN.-LBS. SUGGESTED SOURCE: ITW SHAKEPROOF INDUSTRIAL BOSSCREW OR EQUIVALENT.
- ASSEMBLY IS ROHS COMPLIANT.

19436-0414	8	NO
19436-0413	12-10	
19436-0412	8	YES
19436-0411	12-10	
MATERIAL NUMBER	WIRE AWG	PANEL GASKET

UPDATE GASKET MATL & GASKET PKG EC NO: IP62012-0303 DRAWING NO: 2017/02/20 CHKD: APPROV: DTITUS 2017/02/28	QUALITY SYMBOLS ▽=0 ▽=0	GENERAL TOLERANCES (UNLESS SPECIFIED)		DIMENSION STYLE IN/MM		SCALE 2:1	DESIGN UNITS INCH	THIRD ANGLE PROJECTION																
		<table border="1"> <tr><th></th><th>mm</th><th>INCH</th></tr> <tr><td>4 PLACES</td><td>± .015</td><td>± .0005</td></tr> <tr><td>3 PLACES</td><td>± .010</td><td>± .0004</td></tr> <tr><td>2 PLACES</td><td>± 0.038</td><td>± .0015</td></tr> <tr><td>1 PLACE</td><td>± .075</td><td>± .0030</td></tr> </table>			mm	INCH	4 PLACES	± .015	± .0005	3 PLACES	± .010	± .0004	2 PLACES	± 0.038	± .0015	1 PLACE	± .075	± .0030	DRAWN BY DMYRICK DATE 2007/4/23		TITLE 4 WAY SEALED PLUG PANEL MOUNT ASSEMBLY, 12-10 & 8 AWG			
			mm	INCH																				
		4 PLACES	± .015	± .0005																				
3 PLACES	± .010	± .0004																						
2 PLACES	± 0.038	± .0015																						
1 PLACE	± .075	± .0030																						
ANGULAR ± 1°		APPROVED BY DTITUS DATE 2009/10/22		MATERIAL NO. SEE CHART DOCUMENT NO. SD-19436-002																				
DRAFT WHERE APPLICABLE MUST REMAIN WITHIN DIMENSIONS		SIZE C		THIS DRAWING CONTAINS INFORMATION THAT IS PROPRIETARY TO MOLEX INCORPORATED AND SHOULD NOT BE USED WITHOUT WRITTEN PERMISSION				SHEET NO. 1 OF 1																