



**Distributor of Molex Connector Corporation: Excellent Integrated System Limited**  
Datasheet of 0386608803 - Connector Barrier Block Strip 3 Circuit 0.500" (12.70mm)

Contact us: [sales@integrated-circuit.com](mailto:sales@integrated-circuit.com) Website: [www.integrated-circuit.com](http://www.integrated-circuit.com)

---

## **Excellent Integrated System Limited**

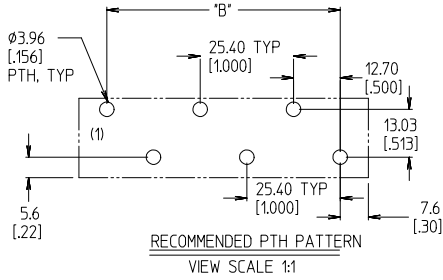
Stocking Distributor

Click to view price, real time Inventory, Delivery & Lifecycle Information:

[Molex Connector Corporation](#)  
[0386608803](#)

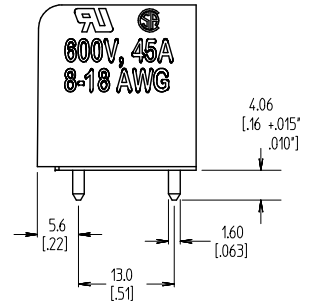
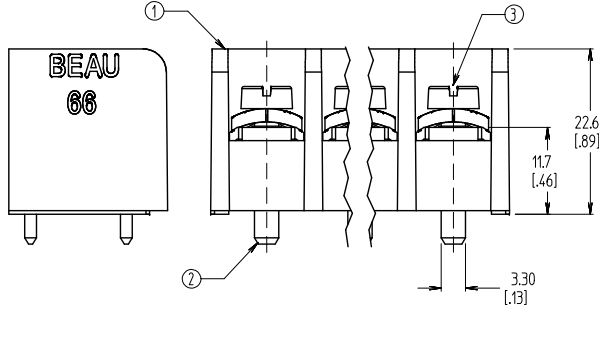
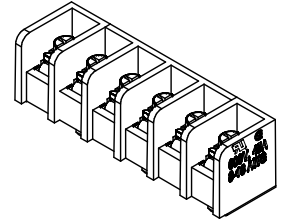
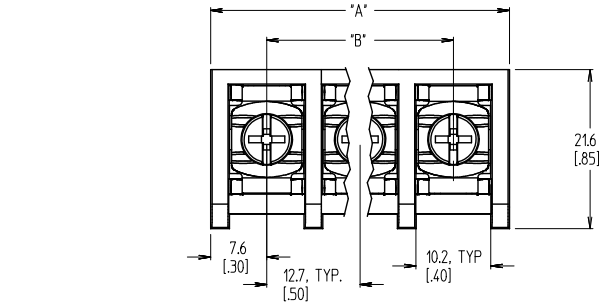
For any questions, you can email us directly:  
[sales@integrated-circuit.com](mailto:sales@integrated-circuit.com)

10 9 8 7 6 5 4 3 2 38660



MATERIAL NUMBER (STD PART)	NUMBER OF CIRCUITS "XX"	A	B
38660-8802	2	27.9 [1.10]	12.70 [5.00]
38660-8803	3	40.6 [1.60]	25.40 [1.000]
38660-8804	4	53.3 [2.10]	38.10 [1.500]
38660-8805	5	66.0 [2.60]	50.80 [2.000]
38660-8806	6	78.7 [3.10]	63.50 [2.500]
38660-8807	7	91.4 [3.60]	76.20 [3.000]
38660-8808	8	104.1 [4.10]	88.90 [3.500]
38660-8809	9	116.8 [4.60]	101.60 [4.000]
38660-8810	10	129.5 [5.10]	114.30 [4.500]
38660-8811	11	142.2 [5.60]	127.00 [5.000]
38660-8812	12	154.9 [6.10]	139.70 [5.500]
38660-8813	13	167.6 [6.60]	152.40 [6.000]
38660-8814	14	180.3 [7.10]	165.10 [6.500]
38660-8815	15	193.0 [7.60]	177.80 [7.000]

- NOTES:  
 1. MATERIAL: SEE TABLE  
 2. FINISHES: SEE TABLE  
 3. "XX" - REFERS TO THE NUMBER OF CIRCUIT POSITIONS.  
 4. ASSEMBLY IS ROHS COMPLIANT.



ITEM	QTY	DESCRIPTION	MATERIAL	FINISH
3	XX	SCREW	STEEL	ZN/YELLOW CHROMATE
2	XX	TERMINAL	RED BRASS	TIN OVER COPPER
1	1	INSULATOR	POLYESTER (PBT)	BLACK

INITIAL RELEASE EC NO: WNA/2009-0043 DRAWN BY: C. YORK CHECKED BY: R. DEROSS APPROVED BY: R. DEROSS DATE: 2008/09/22 DATE: 2008/09/22 DATE: 2008/09/22	QUALITY SYMBOLS ▽=0 ▽=0	GENERAL TOLERANCES (UNLESS SPECIFIED)	DIMENSION STYLE	SCALE	DESIGN UNITS	THIRD ANGLE PROJECTION															
		<table border="1"> <tr><th></th><th>mm</th><th>INCH</th></tr> <tr><td>4 PLACES</td><td>± .005</td><td>± .0005</td></tr> <tr><td>3 PLACES</td><td>± .013</td><td>± .005</td></tr> <tr><td>2 PLACES</td><td>± 0.3</td><td>± .01</td></tr> <tr><td>1 PLACE</td><td>± 0.3</td><td>± .01</td></tr> </table>		mm	INCH	4 PLACES	± .005	± .0005	3 PLACES	± .013	± .005	2 PLACES	± 0.3	± .01	1 PLACE	± 0.3	± .01	MM/IN	1:1	INCH	THIRD ANGLE PROJECTION
			mm	INCH																	
		4 PLACES	± .005	± .0005																	
3 PLACES	± .013	± .005																			
2 PLACES	± 0.3	± .01																			
1 PLACE	± 0.3	± .01																			
DRAWN BY: C. YORK DATE: 2008/09/08		CHECKED BY: R. DEROSS DATE: 2008/09/08		APPROVED BY: R. DEROSS DATE: 2008/09/08		TITLE: SR BTS, 12.70/500 PITCH PC, NO MTG ASSY, ROHS COMPLIANT															
DRAFT WHERE APPLICABLE MUST REMAIN WITHIN DIMENSIONS		SEE CHART		MATERIAL NO. SD-38660-003		Molex MOLEX INCORPORATED DOCUMENT NO. SD-38660-003 SHEET NO. 1 OF 1															

9 8 7 6 5 4 3 2 1