

## Excellent Integrated System Limited

Stocking Distributor

Click to view price, real time Inventory, Delivery & Lifecycle Information:

[Panduit](#)  
[CBOT24K](#)

For any questions, you can email us directly:  
[sales@integrated-circuit.com](mailto:sales@integrated-circuit.com)

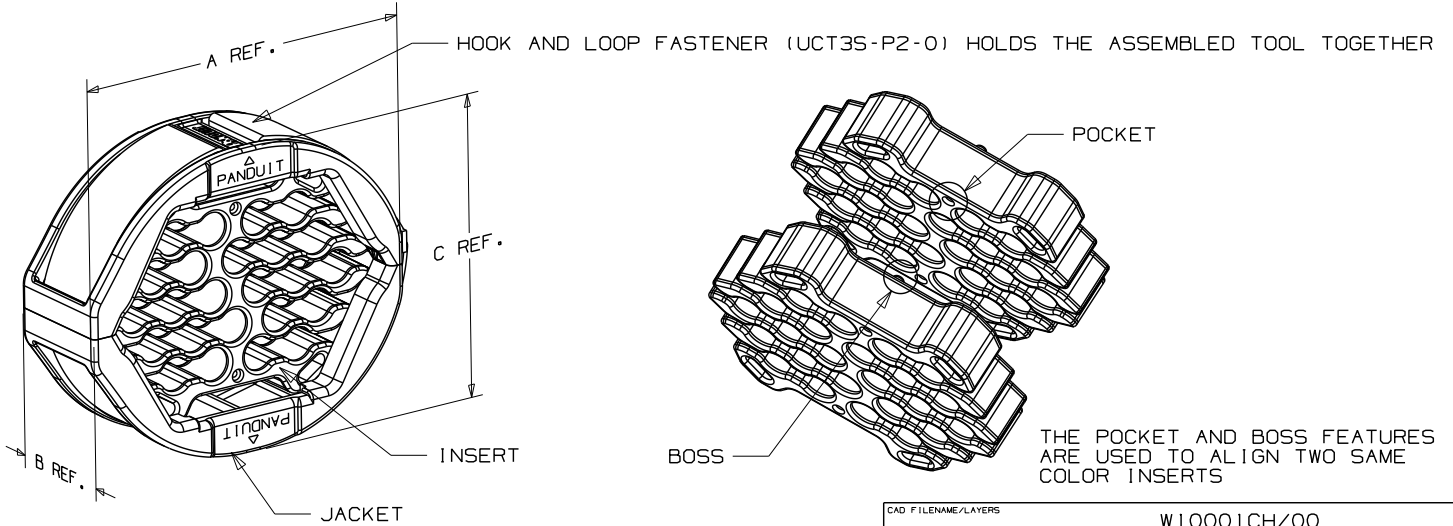


**Distributor of Panduit: Excellent Integrated System Limited**  
 Datasheet of CBOT24K - CABLE BUNDLE ORGANIZING TOOL

THIS COPY IS PROVIDED ON A RESTRICTED BASIS AND IS NOT TO BE USED IN ANY WAY DETRIMENTAL TO THE INTERESTS OF PANDUIT CORP.

PART NO.	COMPONENT	RECOMMENDED FOR CABLE OUTER DIAMETER RANGE	USE THE FOLLOWING INSERT	INSERT USED WITH THE FOLLOWING PANDUIT CABLE TYPES	COMPONENT WEIGHT LBS. - (g)	No. OF CABLES	A in. (mm)	B in. (mm)	C in. (mm)
CBOT24K	JACKET	N/A	N/A	N/A	.031 (14)	N/A	3.40 (86.4)	1.12 (28.4)	2.86 (72.6)
	GREEN INSERT	.180"-.248" (4.57mm-6.30mm)	FLOURESCENT GREEN	TX5500 CATEGORY 5e UTP TX6000 CATEGORY 6 UTP	.048 (22)	24			
	YELLOW INSERT	.230"-.310" (5.84mm-7.87mm)	FLOURESCENT YELLOW	TX6500 ENHANCED CATEGORY 6 TX6A 10 GIG CATEGORY 6A** ALL SHIELDED CABLES	.046 (21)	24			
	UCT3S-P2-0	N/A	N/A	N/A	.006 (3)	N/A			

\*\*WHEN USING THE CBOT24K ON 10Gig CABLES, IT IS RECOMMENDED THAT PANDUIT 10Gig CAT 6A CABLES BE USED FOR OPTIMUM PERFORMANCE OF INSTALLED CABLE.



CAD FILENAME/LAYERS W10001CH/00

PANDUIT CORP. TINLEY PARK, ILLINOIS  
 CBOT24K  
 CABLE BUNDLE ORGANIZING TOOL

UNLESS OTHERWISE SPECIFIED,  
 DIMENSIONAL TOLERANCES ARE:  
 (.X) ± (.XXX) ±  
 (.XX) ± ANGLES ±

UNLESS OTHERWISE SPECIFIED,  
 ALL DIMENSIONS ARE GIVEN  
 IN INCHES, THIRD ANGLE PROJECTION.

DRAWN BY RAMA  
 DATE 1/25/07  
 CHK'D

MAT'L:  
 NYLON 6/6

SCALE 3/4

DRAWING NO. SS-27576  
 DWG SIZE A

R	1/25/06	RAMA	DRAWING RELEASED	R					
REV	DATE	BY	CHK	DESCRIPTION	ECN	R	CUST	SUP	