

Excellent Integrated System Limited

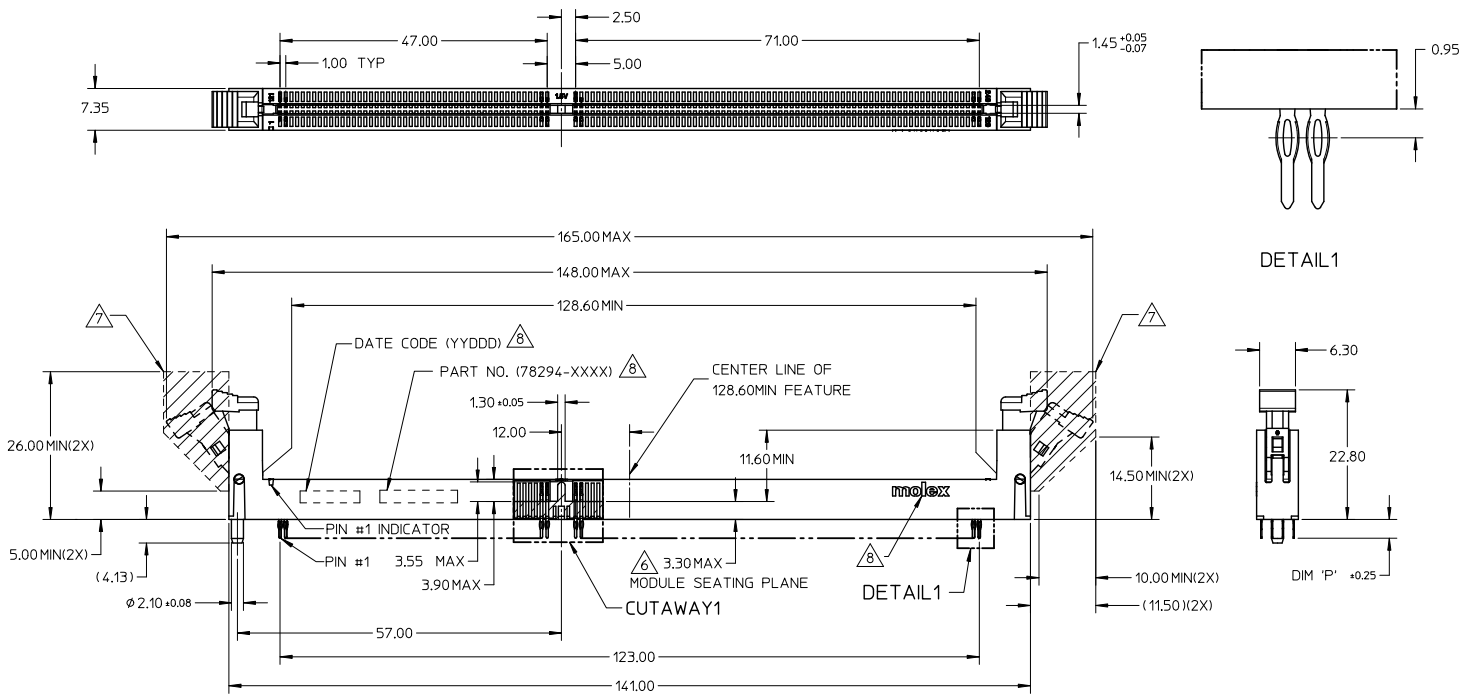
Stocking Distributor

Click to view price, real time Inventory, Delivery & Lifecycle Information:

[Molex Connector Corporation](#)
[78294-0001](#)

For any questions, you can email us directly:
sales@integrated-circuit.com

10 9 8 7 6 5 4 3 2 1

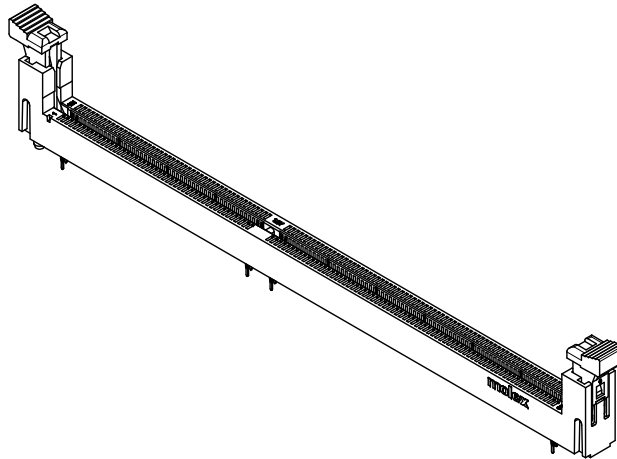
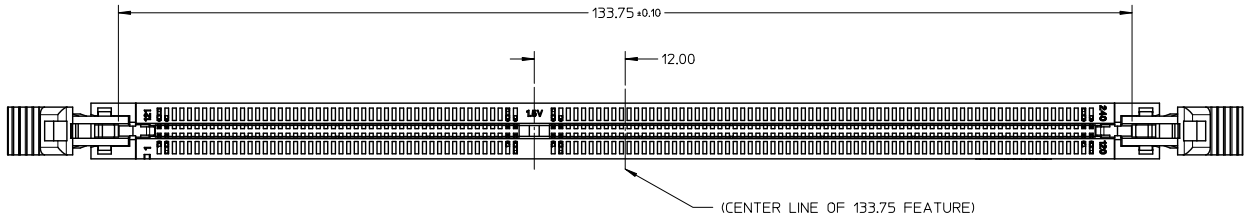


- NOTES:
- MATERIALS
HOUSING - HIGH TEMP NYLON GLASS FILLED, UL 94V-0, COLOUR - SEE TABLE
LATCH - HIGH TEMP NYLON, COLOUR: BLACK OR NATURAL - SEE TABLE
- POLYSULFONE, UL 94HB - CLEAR
TERMINAL - PHOSPHOR BRONZE
 - FINISHES - SEE TABLE.
 - PRODUCT SPECIFICATION: SEE TABLE.
 - PACKAGING SPECIFICATION: PRODUCT SHALL BE PACKED IN TRAY - SEE SHEET 6 .
 - CARD SLOT ACCEPTS 1.27 \pm 0.10MM MODULE THICKNESS. (MEASURED FROM P.C.PADS).
- \triangle MODULE SEATING PLANE FROM TOP OF PCB.
 \triangle KEEP OUT ZONE RESERVED FOR LATCH.
 \triangle MOLEX LOGO, DATE & PART NO. INDICATED ON HOUSING.

REMOVE PART NO. EC. NO. S2012-0828 DRAWING: GAN CHKD: CCTEH APPR: SHLENI 2012/04/30 2012/05/11 2012/05/11	QUALITY SYMBOLS	GENERAL TOLERANCES (UNLESS SPECIFIED)	DIMENSION STYLE	SCALE	DESIGN UNITS	THIRD ANGLE PROJECTION
	$\nabla=0$	mm INCH	MM ONLY	NTS	METRIC	
	$\nabla=0$	4 PLACES \pm --- \pm ---	DRAWN BY DATE			
		3 PLACES \pm --- \pm ---	CMTEO 2007/08/29	TITLE		
	2 PLACES ± 0.2 \pm ---	CHECKED BY DATE	DDR3 DIMM, 1.00MM PITCH			
	1 PLACE \pm --- \pm ---	CCTEH 2007/10/09	240 CKTS			
	ANGULAR $\pm 1^\circ$	APPROVED BY DATE	VERTICAL PRESS-FIT			
		SHLENI 2007/10/10	MOLEX INCORPORATED			
		MATERIAL NO.	DOCUMENT NO.	SD-78294-001		
		SEE TABLE	SHEET NO.			
		SIZE	1 OF 7			
		A3	THIS DRAWING CONTAINS INFORMATION THAT IS PROPRIETARY TO MOLEX INCORPORATED AND SHOULD NOT BE USED WITHOUT WRITTEN PERMISSION			

9 8 7 6 5 4 3 2 1

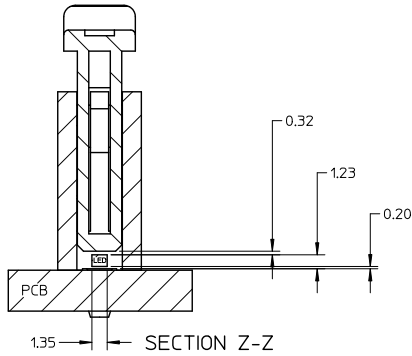
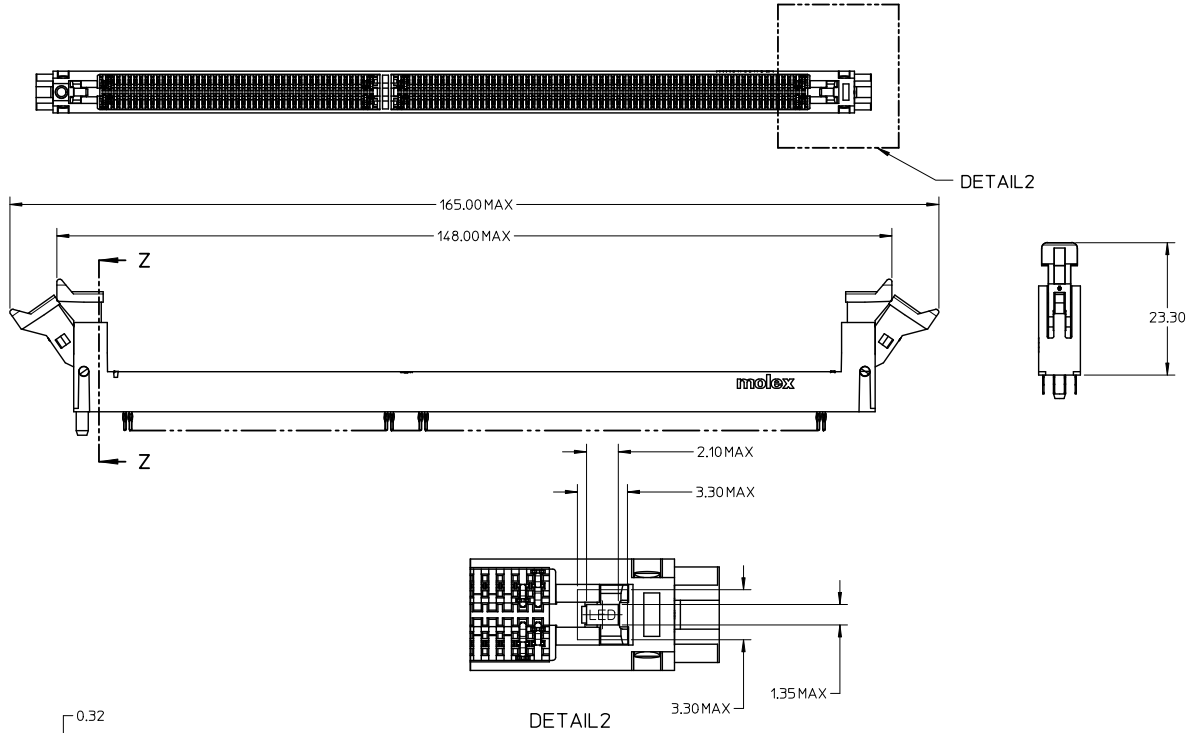
10 9 8 7 6 5 4 3 2 1



REMOVE PART NO. EC NO: S2012-0828 DRAWN BY: DRW:GKTAN CHKD: CCTEH APPR: SHLENI 2012/04/30 2012/05/11 2012/05/11	QUALITY SYMBOLS ▽=0 ▽=0	GENERAL TOLERANCES (UNLESS SPECIFIED)		DIMENSION STYLE MM ONLY		SCALE NTS	DESIGN UNITS METRIC	THIRD ANGLE PROJECTION		
		4 PLACES ± --- ± ---	3 PLACES ± --- ± ---	DRAWN BY CMTEO	DATE 2007/08/29	TITLE DDR3 DIMM, 1.00MM PITCH 240 CKTS VERTICAL PRESS-FIT				
		2 PLACES ± 0.2 ± ---	1 PLACE ± --- ± ---	CHECKED BY CCTEH	DATE 2007/10/09	MOLEX INCORPORATED				
		ANGULAR ± 1 °		APPROVED BY SHLENI	DATE 2007/10/10	MATERIAL NO. SEE TABLE	DOCUMENT NO. SD-78294-001	SHEET NO. 2 OF 7		
DRAFT WHERE APPLICABLE MUST REMAIN WITHIN DIMENSIONS		THIS DRAWING CONTAINS INFORMATION THAT IS PROPRIETARY TO MOLEX INCORPORATED AND SHOULD NOT BE USED WITHOUT WRITTEN PERMISSION								

9 8 7 6 5 4 3 2 1

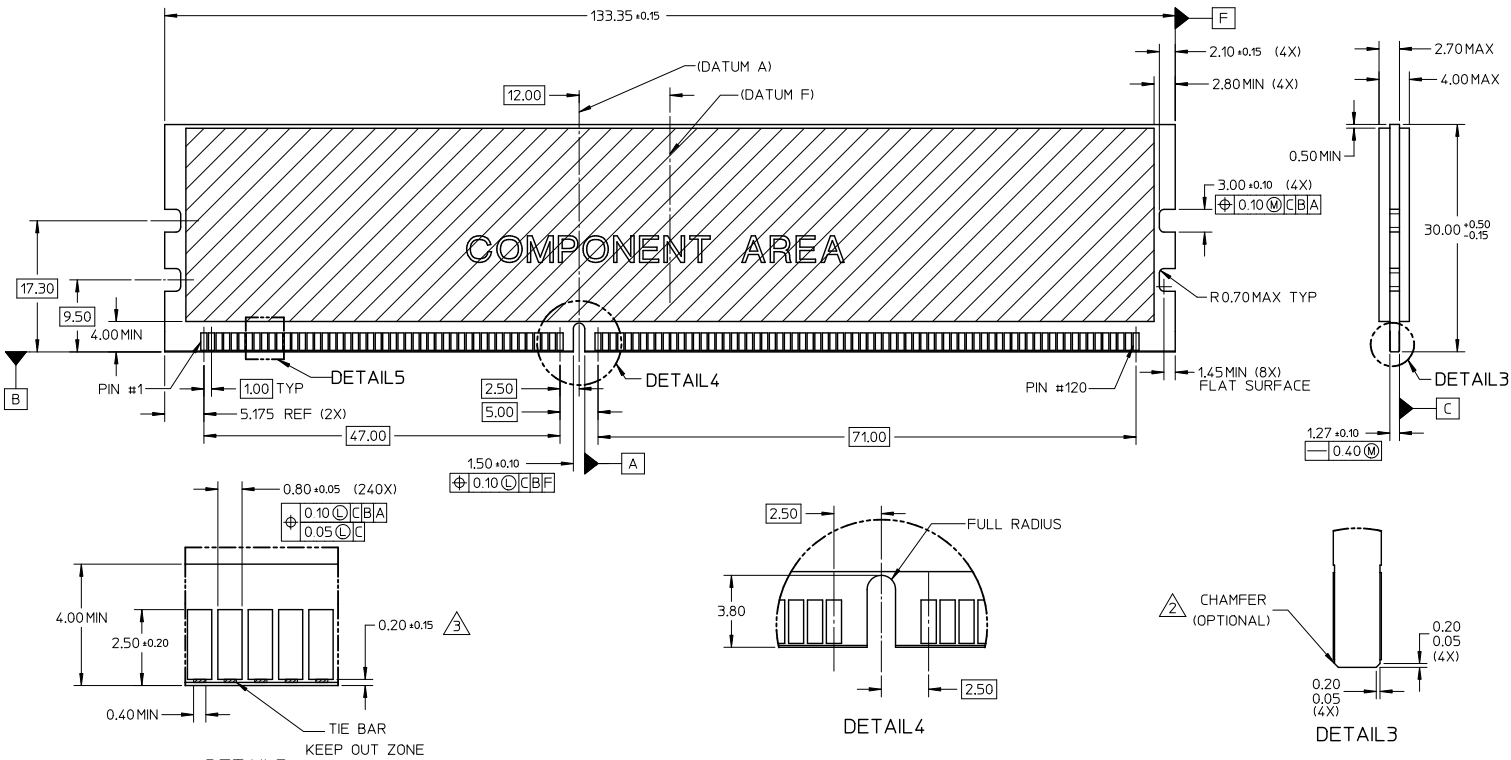
CONNECTOR WITH CLEAR LATCH



REMOVE PART NO. EC. NO. S2012-0828 DRAWN BY CHKD: CCTE APPR: SHLENI	DESCRIPTION A5	QUALITY SYMBOLS	GENERAL TOLERANCES (UNLESS SPECIFIED)	DIMENSION STYLE	SCALE	DESIGN UNITS	THIRD ANGLE PROJECTION													
		$\nabla=0$ $\nabla=0$	<table border="1"> <thead> <tr> <th></th> <th>mm</th> <th>INCH</th> </tr> </thead> <tbody> <tr> <td>4 PLACES</td> <td>± ---</td> <td>± ---</td> </tr> <tr> <td>3 PLACES</td> <td>± ---</td> <td>± ---</td> </tr> <tr> <td>2 PLACES</td> <td>± 0.2</td> <td>± ---</td> </tr> <tr> <td>1 PLACE</td> <td>± ---</td> <td>± ---</td> </tr> </tbody> </table>		mm	INCH	4 PLACES	± ---	± ---	3 PLACES	± ---	± ---	2 PLACES	± 0.2	± ---	1 PLACE	± ---	± ---	MM ONLY	NTS
	mm	INCH																		
4 PLACES	± ---	± ---																		
3 PLACES	± ---	± ---																		
2 PLACES	± 0.2	± ---																		
1 PLACE	± ---	± ---																		
DRAWN BY: CMTEO CHECKED BY: CCTE APPROVED BY: SHLENI DATE: 2007/08/29 DATE: 2007/10/09 DATE: 2007/10/10		TITLE: DDR3 DIMM, 1.00MM PITCH 240 CKTS VERTICAL PRESS-FIT		MATERIAL NO.: SEE TABLE DOCUMENT NO.: SD-78294-001		MOLEX INCORPORATED SHEET NO. 3 OF 7														
DRAFT WHERE APPLICABLE MUST REMAIN WITHIN DIMENSIONS		THIS DRAWING CONTAINS INFORMATION THAT IS PROPRIETARY TO MOLEX INCORPORATED AND SHOULD NOT BE USED WITHOUT WRITTEN PERMISSION																		

10 9 8 7 6 5 4 3 2 1

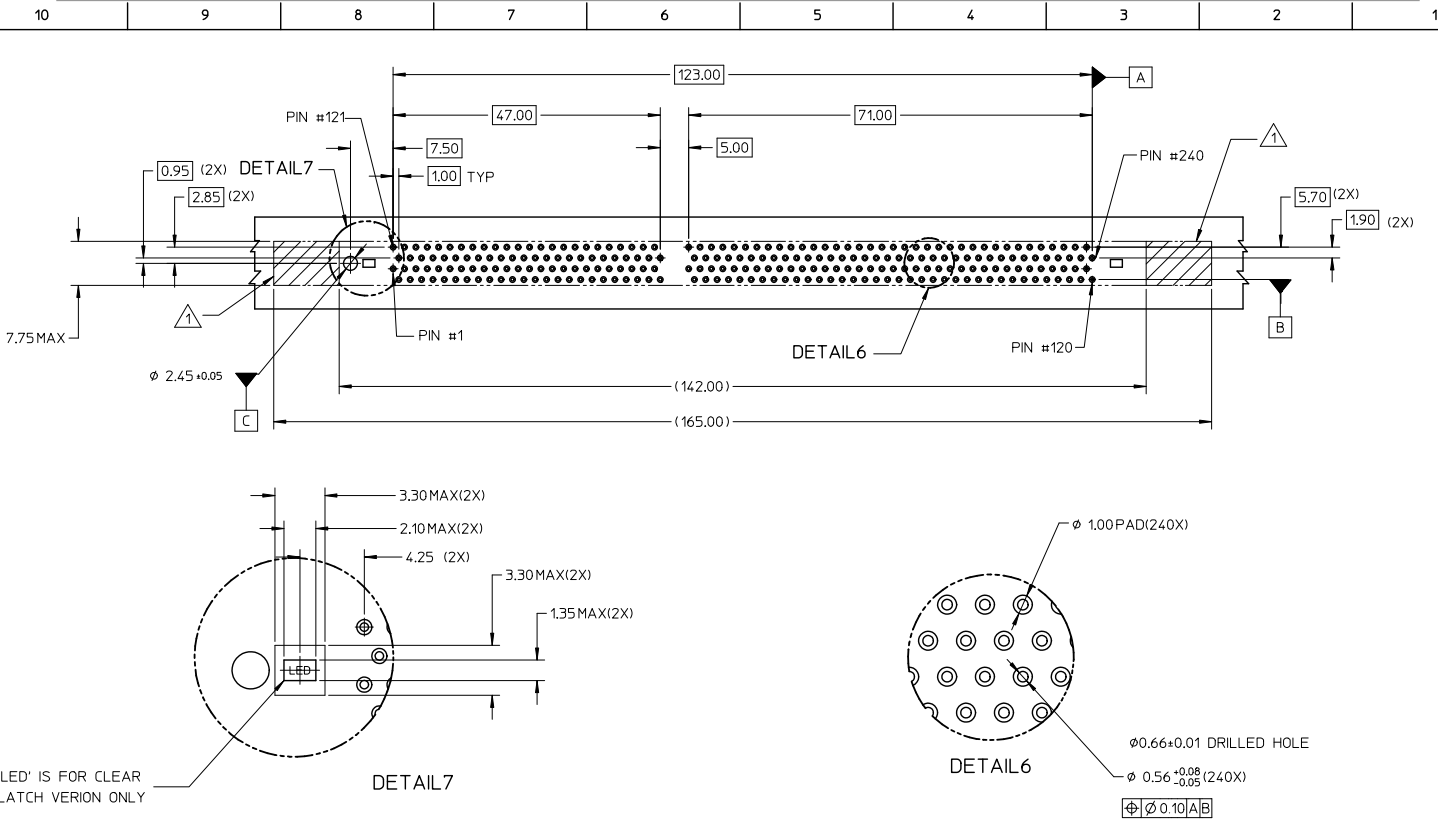
MODULE CARD
DDR3 DUAL IN-LINE MEMORY MODULE FAMILY 1.00MM CONTACT CENTERS
(JEDEC MO-269, ISSUE A, 12/05)



- NOTES:
- RECOMMENDED PLATING FOR CONTACT PADS:
PREFERRED: 0.76 MICROMETERS GOLD PLATING MIN OVER 2.00 MICROMETERS NICKEL
ALTERNATIVE: 0.05-0.75 MICROMETERS GOLD PLATING OVER 2.00 MICROMETERS NICKEL MUST USE AN ELECTRONIC CONTACT GRADE CORROSIVE BARRIER LUBRICANT
 - CHAMFER IS OPTIONAL AND IS NOT TO HIT THE GOLD PADS
 - LEADING EDGE OF GOLD PADS SPECIFIED BY KEEPOUT ZONE SHALL BE FREE OF BURRS AND EXTERNAL TIE BARS.

REMOVE PART NO. EC. NO. S2012-0828 DRAWN BY: DRW:GCTAN CHKD: CCTEH APPR: SHLENI REV: A5	QUALITY SYMBOLS	GENERAL TOLERANCES (UNLESS SPECIFIED)	DIMENSION STYLE	SCALE	DESIGN UNITS	THIRD ANGLE PROJECTION
	▽=0	mm INCH	MM ONLY	NTS	METRIC	
	▽=0	4 PLACES ± --- ± ---	DRAWN BY DATE			
		3 PLACES ± --- ± ---	CMTEO 2007/08/29	TITLE		
	2 PLACES ± 0.2 ± ---	CHECKED BY DATE				DDR3 DIMM, 1.00MM PITCH 240 CKTS VERTICAL PRESS-FIT
	1 PLACE ± --- ± ---	APPROVED BY DATE				MOLEX INCORPORATED
	ANGULAR ± 1°	MATERIAL NO.	SEE TABLE	DOCUMENT NO.		SD-78294-001
		DRAFT WHERE APPLICABLE MUST REMAIN WITHIN DIMENSIONS	SIZE			SHEET NO. 4 OF 7
			A3			THIS DRAWING CONTAINS INFORMATION THAT IS PROPRIETARY TO MOLEX INCORPORATED AND SHOULD NOT BE USED WITHOUT WRITTEN PERMISSION

9 8 7 6 5 4 3 2 1

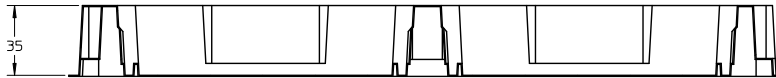
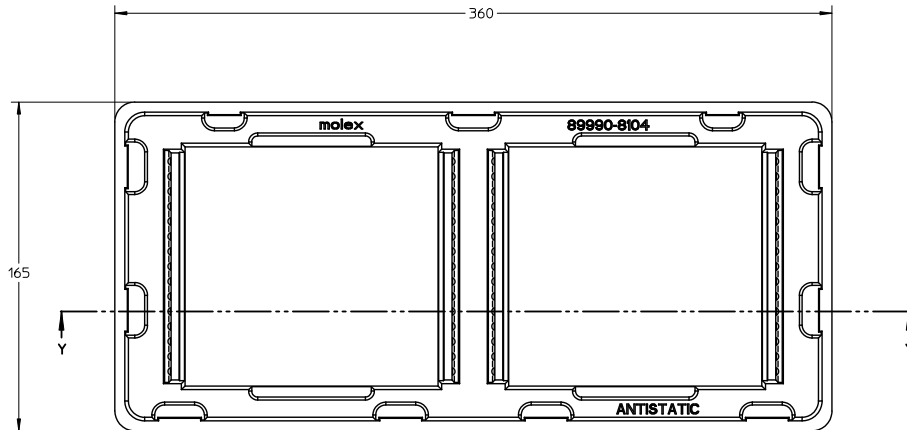


NOTE:
 KEEP OUT AREA IS THE AREA WHERE THE CONNECTOR (INCLUDING LATCH) IS MOUNTED ON THE PCB.

REMOVE PART NO. EC. NO.: S2012-0828 DRAWN BY: DRW:GCTAN CHKD: CCTEH APPR: SHLENI DATE: 2012/04/30 DATE: 2012/05/11 DATE: 2012/05/11	QUALITY SYMBOLS	GENERAL TOLERANCES (UNLESS SPECIFIED)	DIMENSION STYLE	SCALE	DESIGN UNITS	THIRD ANGLE PROJECTION
	$\nabla=0$ $\nabla=0$	4 PLACES \pm --- \pm --- 3 PLACES \pm --- \pm --- 2 PLACES ± 0.2 \pm --- 1 PLACE \pm --- \pm --- ANGULAR $\pm 1^\circ$	MM ONLY	NTS	METRIC	
	DESCRIPTION	DRAFT WHERE APPLICABLE MUST REMAIN WITHIN DIMENSIONS	DRAWN BY: CMTEO CHECKED BY: CCTEH APPROVED BY: SHLENI DATE: 2007/08/29 DATE: 2007/10/09 DATE: 2007/10/10	TITLE	DDR3 DIMM, 1.00MM PITCH 240 CKTS VERTICAL PRESS-FIT	
	REV: A5	SIZE: A3	SEE TABLE	MATERIAL NO.	DOCUMENT NO.	MOLEX INCORPORATED SD-78294-001 SHEET NO. 5 OF 7

10 9 8 7 6 5 4 3 2 1

VIEW OF PACKAGING TRAY



SECTION Y-Y

NOTE:

1. CAVITY QTY : 30PCS

REMOVE PART NO. EC NO: S2012-0828 DRAWN:GTW CHKD:CTE APPR:SHLENI 2012/04/30 2012/05/11 2012/05/11	QUALITY SYMBOLS ▽=0 ▽=0	GENERAL TOLERANCES (UNLESS SPECIFIED)		DIMENSION STYLE MM ONLY		SCALE NTS	DESIGN UNITS METRIC	THIRD ANGLE PROJECTION	
		4 PLACES ± --- ± --- 3 PLACES ± --- ± --- 2 PLACES ± 0.2 ± --- 1 PLACE ± --- ± --- ANGULAR ± 1 °	mm INCH ± --- ± --- ± --- ± --- ± --- ± --- ± --- ± ---	DRAWN BY CMTEO	DATE 2007/08/29	TITLE DDR3 DIMM, 1.00MM PITCH 240 CKTS VERTICAL PRESS-FIT		MOLEX INCORPORATED	
REV A5	DESCRIPTION DRAFT WHERE APPLICABLE MUST REMAIN WITHIN DIMENSIONS	MATERIAL NO. SEE TABLE		APPROVED BY SHLENI	DATE 2007/10/10	DOCUMENT NO. SD-78294-001		THIS DRAWING CONTAINS INFORMATION THAT IS PROPRIETARY TO MOLEX INCORPORATED AND SHOULD NOT BE USED WITHOUT WRITTEN PERMISSION	

9 8 7 6 5 4 3 2 1

10 9 8 7 6 5 4 3 2 1

TIN OPTION

PART NO.	VOLTAGE KEY POS.	VOLTAGE	DIM 'P'	RECOMMENDED PCB THICKNESS	PLATING OPTION	HOUSING COLOUR	LATCH COLOUR	PRODUCT SPECIFICATION
78294-0001	CENTER	1.5V	3.30	3.60	CONTACT AREA: 0.76 MICROMETER/ 30 MICROINCH MIN. GOLD OVER 1.27 MICROMETER/ 50 MICROINCH MIN NICKEL UNDERPLATE SOLDER-TAIL: 0.38-1.52 MICROMETER/15-60 MICROINCH TIN OVER 1.27MICROMETER/ 50 MICROINCH MIN NICKEL UNDERPLATE	BLACK	BLACK	PS-78294-002
78294-0002			4.20	4.57				
78294-0005			3.30	3.60				
78294-0006			4.20	4.57				
78294-0007			3.30	3.60				
78294-0008			4.20	4.57				
78294-0009			3.30	3.60				
78294-0010			4.20	4.57				
78294-0003			3.30	3.60				
78294-0004			4.20	4.57				
78294-0105	3.30	3.60						
78294-0106	4.20	4.57						

REMOVE PART NO. EC NO: S2012-0828 DRAWN: GGTAN 2012/04/30 CHKD: CTEH 2012/05/11 APPR: SHLENI 2012/05/11 REV: A5	QUALITY SYMBOLS 	GENERAL TOLERANCES (UNLESS SPECIFIED) <table border="1"> <thead> <tr> <th></th> <th>mm</th> <th>INCH</th> </tr> </thead> <tbody> <tr> <td>4 PLACES</td> <td>± 0.15</td> <td>± 0.006</td> </tr> <tr> <td>3 PLACES</td> <td>± 0.20</td> <td>± 0.008</td> </tr> <tr> <td>2 PLACES</td> <td>± 0.25</td> <td>± 0.010</td> </tr> <tr> <td>1 PLACE</td> <td>± 0.30</td> <td>± 0.012</td> </tr> </tbody> </table>		mm	INCH	4 PLACES	± 0.15	± 0.006	3 PLACES	± 0.20	± 0.008	2 PLACES	± 0.25	± 0.010	1 PLACE	± 0.30	± 0.012	DIMENSION STYLE MM ONLY DRAWN BY: CMTEO DATE: 2007/08/29 CHECKED BY: CTEH DATE: 2007/10/09 APPROVED BY: SHLENI DATE: 2007/10/10	SCALE: NTS DESIGN UNITS: METRIC THIRD ANGLE PROJECTION	TITLE: DDR3 DIMM, 1.00MM PITCH 240 CKTS VERTICAL PRESS-FIT MOLEX INCORPORATED MATERIAL NO. SEE TABLE DOCUMENT NO. SD-78294-001 SHEET NO. 7 OF 7
		mm	INCH																	
	4 PLACES	± 0.15	± 0.006																	
	3 PLACES	± 0.20	± 0.008																	
2 PLACES	± 0.25	± 0.010																		
1 PLACE	± 0.30	± 0.012																		
DRAFT WHERE APPLICABLE MUST REMAIN WITHIN DIMENSIONS		THIS DRAWING CONTAINS INFORMATION THAT IS PROPRIETARY TO MOLEX INCORPORATED AND SHOULD NOT BE USED WITHOUT WRITTEN PERMISSION																		

9 8 7 6 5 4 3 2 1