

## **Excellent Integrated System Limited**

Stocking Distributor

Click to view price, real time Inventory, Delivery & Lifecycle Information:

[TE Connectivity AMP Connectors](#)  
[768348-1](#)

For any questions, you can email us directly:

[sales@integrated-circuit.com](mailto:sales@integrated-circuit.com)



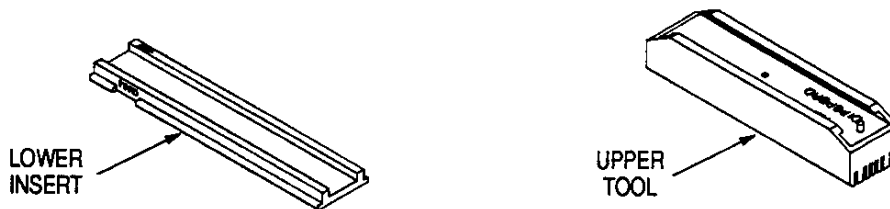
**AMP\* Connector-Specific Kit 768348-1  
 for AMP-LATCH\* Paddleboard Connectors**

Instruction Sheet  
**408-9838**  
 13 MAY 93 Rev A

**PROPER USE GUIDELINES**

Cumulative Trauma Disorders can result from the prolonged use of manually powered hand tools. AMP hand tools are intended for occasional use and low volume applications. AMP offers a wide selection of powered application equipment for extended-use, production operations.

**CONNECTOR-SPECIFIC KIT 768348-1**



**TYPICAL APPLICATIONS**

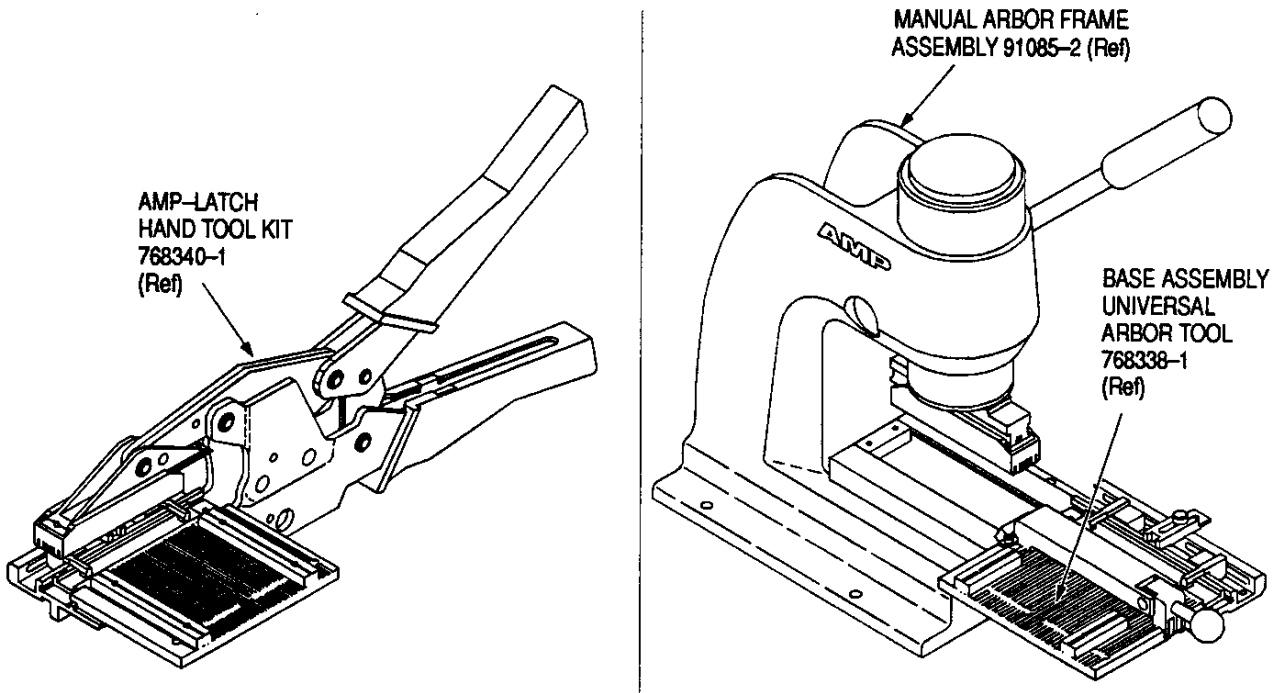


Figure 1

cad

**1. INTRODUCTION**

This instruction sheet describes AMP Connector-Specific Kit 768348-1, lists cable requirements, and describes installation of the kit. (See Figure 1.)

The connector-specific kit is used with AMP-LATCH Hand Tool Kit 768340-1 or Base Assembly Universal Arbor Tool 768338-1 (Figure 1) to terminate

AMP-LATCH Pre-Assembled Paddleboard Connectors to ribbon-cable having 1.27 mm [.050 in.] centerline spacing.

The Base Assembly Universal Arbor Tool is powered by either AMP Manual Arbor Frame Assembly 91085-2 or AMP Pneumatic Frame Assembly 91112-3.

**NOTE**

For information concerning AMP-LATCH Connectors, refer to AMP Catalog 82012. For detailed information on other tooling components used with Connector-Specific Kit 768348-1, refer to the following publications:

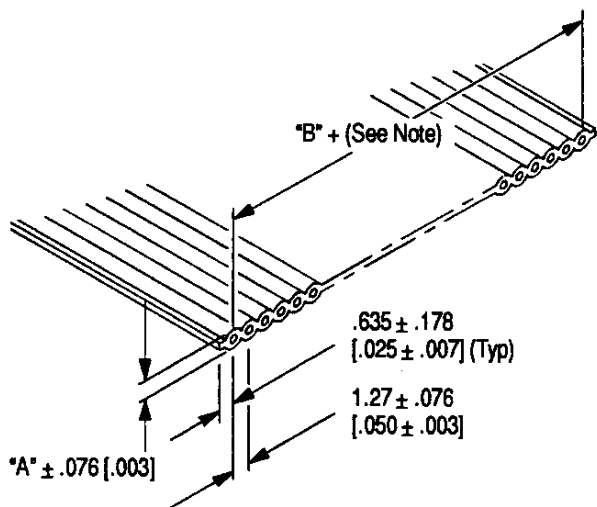
- 408-6732 — Pneumatic Auto-Cycle Unit 91112-3
- 408-7777 — Manual Arbor Frame Assembly 91085-2
- 408-9827 — Base Assembly Universal Arbor Tool 768338-1
- 408-9828 — AMP-LATCH Hand Tool Kit 768340-1

**NOTE**

All dimensions on this sheet are in metric units [with U.S. customary units in brackets].

**2. DESCRIPTION (Figure 1)**

The connector-specific kit features an upper tool and lower insert. The upper tool applies an even force over the length of the connector during termination. The lower insert positions the connector on the tooling assembly. Each component is marked "AMP PBRD."



**NOTE**

ACCUMULATIVE TOLERANCE FOR CABLE CONDUCTORS 1 THROUGH 34 IS + .254 [.010] AND THROUGH 60 IS + .38 [.015].

CONDUCTOR		DIMENSION	
SIZE (AWG)	TYPE	"A"	"B"
26	Stranded or Solid	0.689 mm [.035 IN.]	1.27 mm [.050 IN.] X (Total No. of Conductors Minus One)
28	Stranded or Solid		
30	Solid		

Figure 2

cad 9831

**3. CABLE REQUIREMENTS**

The connector-specific kit will terminate AMP-LATCH Pre-Assembled Paddleboard Connectors with 1.27 mm [.050 in.] centerline spacing to ribbon-cable with No. 26 AWG solid or stranded conductors, No. 28 AWG solid or stranded conductors, or No. 30 AWG solid conductors. Refer to Figure 2 for the recommended cable dimensions.

**CAUTION**

The cable must be cut 90° to the edge of the cable; otherwise an improper termination will result. We suggest you use a guillotine-type cable cutter, such as the Carpenter Model 95 which can be purchased from:

Carpenter Manufacturing Co., Inc.  
 Fairgrounds Drive  
 Manlius, N.Y. 13207

AMP-LATCH HAND TOOL KIT 768340-1 (Ref)  
 (Includes AMP-LATCH Hand Tool Subassembly 768942-1 and Base Assembly Universal Hand Tool 768339-1. Refer to 408-9846 and 408-9826)

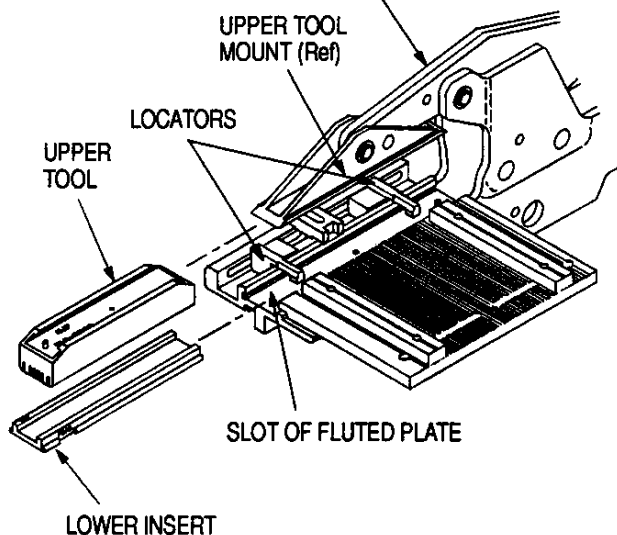


Figure 3

cad

**4. CONNECTOR-SPECIFIC KIT INSTALLATION (Figures 3 and 4)**

**NOTE**

For hand tool applications, mount the hand tool onto a suitable work surface, whenever possible, before terminating the connectors. Refer to the bench-clamping instructions in instruction sheet 408-9828, packaged with the AMP-LATCH Hand Tool Kit.

1. Slide the upper tool onto the upper tool mount.
2. Slide the lower insert into the slot of the fluted plate.

This completes the installation procedure.

BASE ASSEMBLY UNIVERSAL  
 ARBOR TOOL 768338-1  
 (Ref)

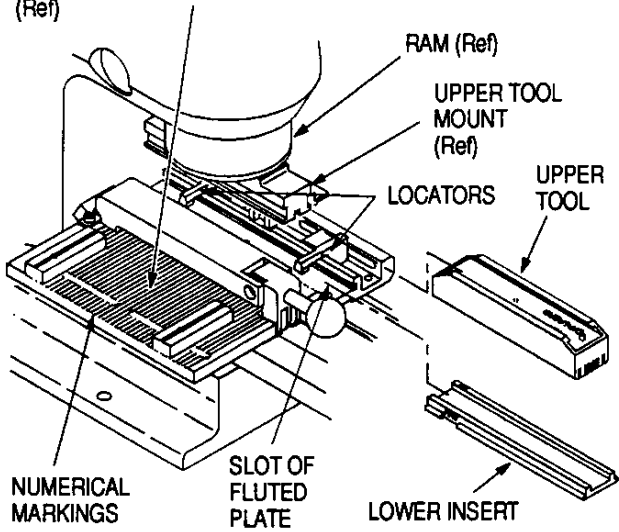


Figure 4

cad

**NOTE**

For information concerning termination procedures, refer to 408-9828 packaged with the AMP-LATCH Hand Tool Kit, and 408-9827 packaged with the Base Assembly Universal Arbor Tool.

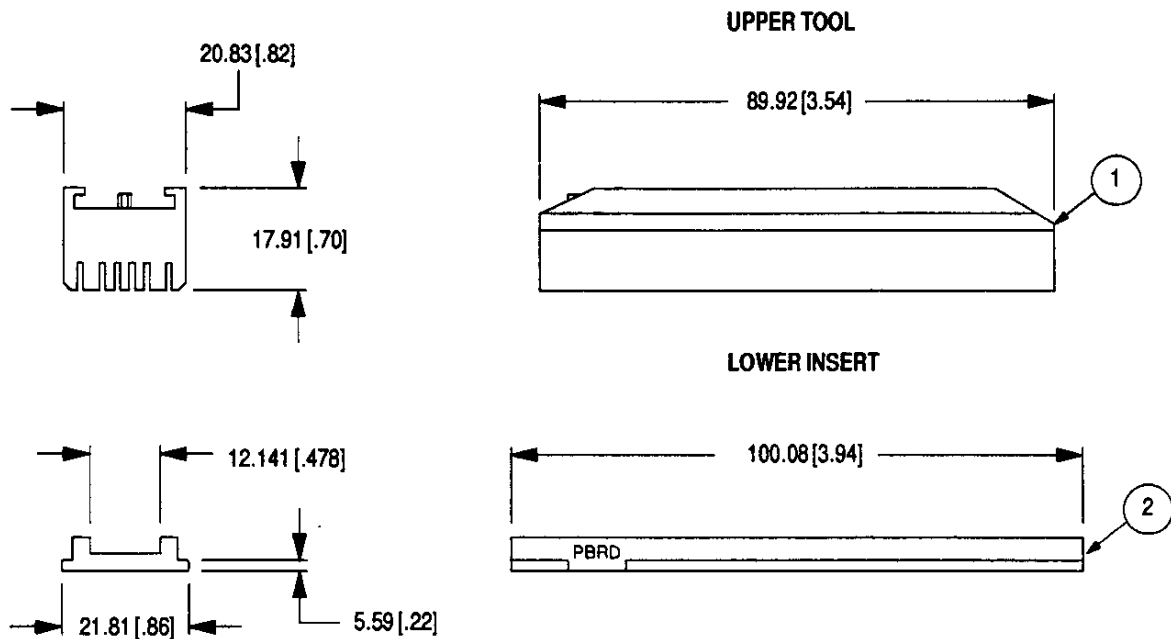
**5. CONNECTOR-SPECIFIC KIT INSPECTION**

Connector-Specific Kit 768438-1 has been inspected and should be verified with information provided in Figure 5. It is recommended that the connector-specific kit be inspected immediately upon its arrival at your facility (and at regularly scheduled intervals) to ensure that the kit components have not been damaged during handling.

For additional information concerning connector-specific kits, contact your local AMP representative or:

CUSTOMER SERVICE (38-35)  
 AMP INCORPORATED  
 P.O. BOX 3608  
 HARRISBURG, PA 17105-3608

**CONNECTOR-SPECIFIC KIT 768348-1**



**COMPONENT LIST**

ITEM NO.	PART NUMBER	DESCRIPTION	QTY
1	543274-5	Upper Tool	1
2	543275-3	Lower Insert	1

Figure 5

cad