



## **Excellent Integrated System Limited**

Stocking Distributor

Click to view price, real time Inventory, Delivery & Lifecycle Information:

[Amphenol RF](#)  
[901-10003](#)

For any questions, you can email us directly:

[sales@integrated-circuit.com](mailto:sales@integrated-circuit.com)

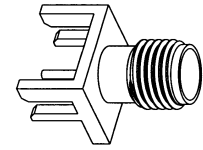


**Distributor of Amphenol RF: Excellent Integrated System Limited**  
 Datasheet of 901-10003 - CONN SMA JACK 50 OHM EDGE MNT

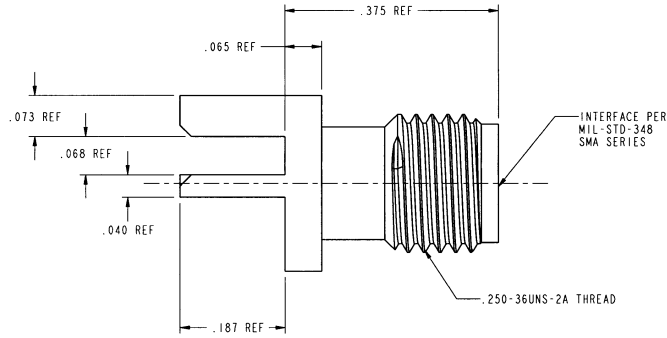
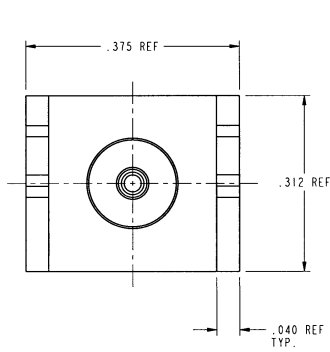
NOTES:

- MATERIAL & FINISH:  
 BODY - BRASS, GOLD PLATED  
 CONTACT - BERYLLIUM COPPER, GOLD PLATED  
 INSULATOR - PTFE
- DO NOT SCALE THIS DRAWING.

|                   |     |             |                 |         |           |
|-------------------|-----|-------------|-----------------|---------|-----------|
| 901-10003         |     | REVISIONS   |                 |         |           |
| DRAWING NO.       | REV | DESCRIPTION | DATE            | ECO     | APPR      |
| THIRD ANGLE PROJ. | ⊕   | A           | RELEASE TO MFG. | 5/15/00 | 43347 CPM |



SCALE 3.000



CUSTOMER OUTLINE DRAWING  
 FOR REFERENCE ONLY

|   |   |   |   |  |                                 |
|---|---|---|---|--|---------------------------------|
| UNLESS OTHERWISE SPECIFIED, DIMENSIONS ARE IN INCHES AND TOLERANCES ARE:<br>2 PLACE DECIMAL ±.015 (0.381 mm)<br>3 PLACE DECIMAL ±.005 (0.127 mm)<br>ANGLES ± 1°   | MATERIAL<br><br>REFERENCE<br>EAR 967064-1<br>GEN# ASSYF34_SMA<br>EAR 111-962289 & 102-967531-0<br>615R-1143-100 | DRAWN<br>C. McGRATH<br>DATE<br>26-Apr-00    | TITLE<br>SMA JACK<br>END LAUNCH<br>PC MOUNT | <b>Amphenol</b><br>Amphenol Corporation<br>Communication and Network<br>Products Division<br>Danbury, CT U.S.A. 06810<br>SCALE: 6.0:1 SHEET 2 OF 2 |                                 |
|   |   | ENGINEER<br>P. BRENZEL<br>DATE<br>26-Apr-00 |   |  | APPROVED<br><br>DATE<br>5/15/00 |
| NOTICE - These drawings, specifications, or other data (1) are, and remain the property of Amphenol Corp. (2) must be returned upon request; and (3) are confidential and not to be disclosed to any person other than those to whom they are given by Amphenol Corp. The furnishing of these drawings, specifications, or other data by Amphenol Corp., or to any other person to anyone for any purpose is not to be regarded by implication or otherwise in any manner licensing, granting rights or permitting such holder or any other person to manufacture, use or sell any product, process or design, patented or otherwise, that may in any way be related to or disclosed by said drawings, specifications, or other data. | CAD FILE<br>I:\SMA\901-10003  | CODE 1D<br>74868                            | DWG SIZE<br>B                               | DRAWING NO.<br>901-10003   | REV<br>A                        |