

Excellent Integrated System Limited

Stocking Distributor

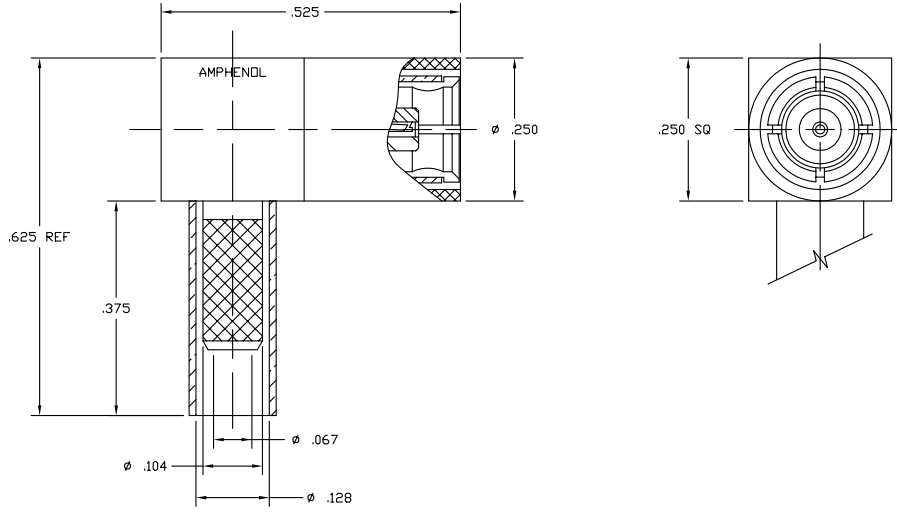
Click to view price, real time Inventory, Delivery & Lifecycle Information:

[Amphenol RF](#)
[903-535P-71A](#)

For any questions, you can email us directly:
sales@integrated-circuit.com

- NOTES:
 1. DO NOT SCALE THIS DRAWING.
 2. PLATING MUST CONFORM TO AMPHENOL SPEC 349-50560. CONTACTS ARE GOLD PLATED, OTHER METAL PARTS ARE NICKEL PLATED.
 3. FOR ASSEMBLY INSTRUCTIONS SEE AMPHENOL SPEC 349-50521, SHEET 3.

903-535P-71A		REVISIONS			
DRAWING NO.	REV	DESCRIPTION	DATE	ECO	APPR
THIRD ANGLE PROJ.	A	RELEASE TO MFG.	8/22/96	41479	PB/BG
	B	SEE SHEET ONE FOR REVISIONS	4/30/97	41910	CPM/



CUSTOMER OUTLINE DRAWING
 ALL OTHER SHEETS ARE FOR INTERNAL USE ONLY

UNLESS OTHERWISE SPECIFIED, DIMENSIONS ARE IN INCHES AND TOLERANCES ARE:
 2 PLACE DECIMAL ±.015 (0,381 mm) 3 PLACE DECIMAL ±.005 (0,127 mm) ANGLES ± 1°

NOTICE - These drawings, specifications, or other data (1) are, and remain the property of Amphenol Corp. (2) must be returned upon request; and (3) are confidential and not to be disclosed to any person other than those to whom they are given by Amphenol Corp. The furnishing of these drawings, specifications, or other data by Amphenol Corp., or to any other person to anyone for any purpose is not to be regarded by implication or otherwise in any manner licensing, granting rights or permitting such holder or any other person to manufacture, use or sell any product, process or design, patented or otherwise, that may in any way be related to or disclosed by said drawings, specifications, or other data.

MATERIAL	DRAWN	DATE	TITLE	Amphenol Amphenol Corporation RF/Microwave Operations Danbury, Conn. U.S.A. 06810	SCALE: 6:1	SHEET 2 OF 2
	P. BRENZEL	7-22-96				
REFERENCE	ENGINEER	DATE	SMB 75 OHM ANGLE PLUG FOR RG-179/U			
	EAR 966260	P. BRENZEL				
	APPROVED	DATE				
	B. GLEISSNER	8-20-96				
	CAD FILE		CODE ID	DWG SIZE	DRAWING NO.	REV
	H:\PETE\SMB\903\ASSY\535P71AC		74868	B	903-535P-71A	B