



Excellent Integrated System Limited

Stocking Distributor

Click to view price, real time Inventory, Delivery & Lifecycle Information:

[Amphenol RF](#)
[908-41300](#)

For any questions, you can email us directly:

sales@integrated-circuit.com

- NOTES:
 1. MATERIAL AND FINISH:
 BODY - BRASS, GOLD PLATING
 CONTACT - BRASS, GOLD PLATING
 INSULATOR - PTFE, NATURAL

2. ELECTRICAL:
 A. IMPEDANCE: 50 OHM
 B. FREQUENCY RANGE: 0-6 GHz
 C. DIELECTRIC WITHSTANDING VOLTAGE: 500 VRMS. MIN.

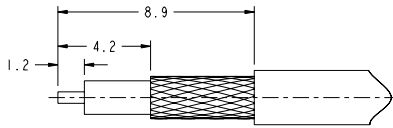
3. MECHANICAL:
 A. DURABILITY: 500 CYCLES MIN.
 B. TEMPERATURE RANGE: -65°C TO +165°C

4. CRIMPED FERRULE
 HEX CRIMP SIZE .128"

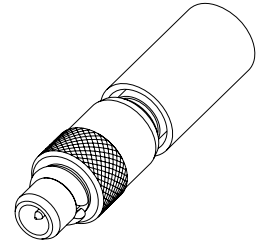
5. CONTACT PIN TO SOLDER

THIRD ANGLE PROJ.

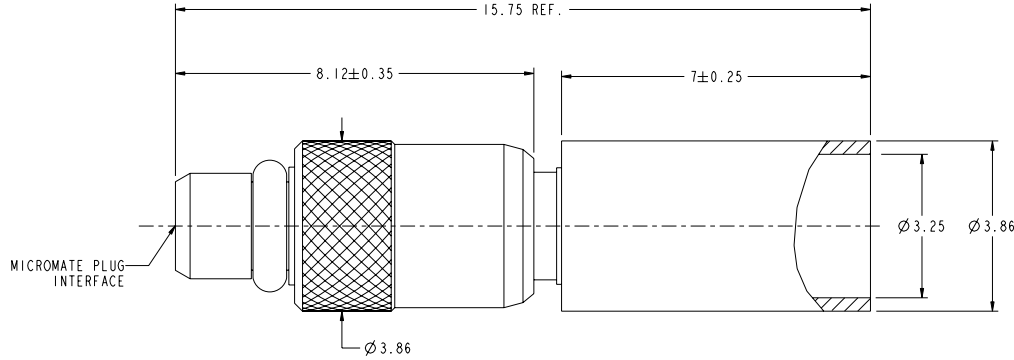
		REVISIONS			
REV	DESCRIPTION	DATE	ECO	APPR	
A	RELEASE TO MFG.	11/07/96	41601	BCG	
B	CONTACT PIN WAS CHANGED	04/27/00	43271	CPM	
C	CABLE STRIPPING 9.27 WAS 8.63; 8.25 WAS 7.62	02/21/01	43666	CPM	
D	TRANSFERRED TO ARFA	07-24-09	---	ANDY	
E	BODY WAS CHANGED	11-Jan-10	---	ANDY	
F	BODY WAS CHANGED	31-Mar-11	48431	SH	



RECOMMENDED
CABLE STRIPPING DIM'S



SCALE 6.000



CUSTOMER OUTLINE DRAWING
 ALL OTHER SHEETS ARE FOR INTERNAL USE ONLY

UNLESS OTHERWISE SPECIFIED, DIMENSIONS ARE IN METRIC AND TOLERANCES ARE:
 <0.5mm ±0.05mm 0.5 - 6mm ±0.1mm 6 - 30mm ±0.2mm 30 - 120mm ±0.3mm ANGLES ±1°
 NOTICE - These drawings, specifications, or other data (1) are, and remain the property of Amphenol Corp. (2) must be returned upon request; and (3) are confidential and not to be disclosed to any person other than those to whom they are given by Amphenol Corp. The furnishing of these drawings, specifications, or other data by Amphenol Corp., or to any other person to anyone for any purpose is not to be regarded by implication or otherwise in any manner licensing, granting rights to permitting such holder or any other person to manufacture, use or sell any product, process or design, patented or otherwise, that may in any way be related to or disclosed by said drawings, specifications, or other data.

MATERIAL	DRAWN T. DENG	DATE 29-Mar-11
REFERENCE EAR 964888-0 GEN ASSM3_MMCX	ENGINEER B. GLEISSNER	DATE 03-Jun-09
CONFIGURATION LEVEL: FINISH	APPROVED S. HSIEH	DATE 31-Mar-11
	I:\MMCX\908-41300	

TITLE MICROMATE PLUG CRIMP TYPE FOR RG-316 CABLE	Amphenol RF www.amphenolrf.com
SCALE: 12.0:1.0 SHEET 2 OF 2	DRAWING NO. 908-41300
DWG SIZE B	ITEM NO. 908-41300
REV F	PART NO. 908-41300