

Excellent Integrated System Limited

Stocking Distributor

Click to view price, real time Inventory, Delivery & Lifecycle Information:

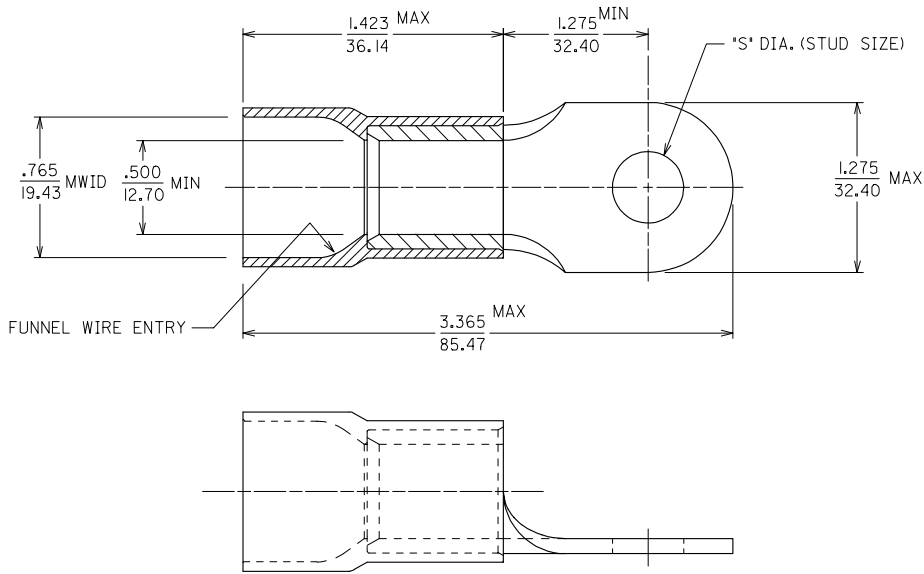
[Molex Connector Corporation](#)
[19067-0114](#)

For any questions, you can email us directly:

sales@integrated-circuit.com

10 9 8 7 6 5 4 3 2 19067

MATERIAL NUMBER	ALTERNATE NUMBER	STUD SIZES	"S"
190670114	J-987-12	1/2	.515
190670115	J-987-34	3/4	.781
190670116	J-987-58	5/8	.656



NOTES:

1. MATERIAL: COPPER .083 THICK
PLATING: ELECTROPLATE TIN
2. INSULATION: YELLOW NYLON 6/6
3. MWID=MAXIMUM WIRE INSULATION DIA.
4. ALL DIMENSIONS IN INCHES/(MM).
5. ASSEMBLY IS ROHS COMPLIANT.

(B)

CHG TITLE - ADDED ROHS EC NO: ETC2007-0336 DRW: WENHLE 2007/03/14 CHKD: JIMACNEIL 2007/03/14 APPR: JIMACNEIL 2007/03/15	QUALITY SYMBOLS ▽=0 ▽=0	GENERAL TOLERANCES (UNLESS SPECIFIED)		DIMENSION STYLE IN/MM	SCALE ---	DESIGN UNITS INCH	THIRD ANGLE PROJECTION
		4 PLACES ± --- ± --- 3 PLACES ± --- ± .005 2 PLACES ± 0.13 ± .01 1 PLACE ± 0.25 ± --- ANGULAR ± 1/2°	DRAWN BY EDB DATE 2001/02/02	CHECKED BY HEB DATE 2001/02/02	APPROVED BY RWD DATE 2001/02/02	TITLE NYLAKRIMP FUNNEL ENTRY RING TONGUE TERMINAL, 2/0 AWG	MOLEX INCORPORATED
DRAFT WHERE APPLICABLE MUST REMAIN WITHIN DIMENSIONS		THIS DRAWING CONTAINS INFORMATION THAT IS PROPRIETARY TO MOLEX INCORPORATED AND SHOULD NOT BE USED WITHOUT WRITTEN PERMISSION		SHEET NO. 1 OF 1			

9 8 7 6 5 4 3 2 1