

## Excellent Integrated System Limited

Stocking Distributor

Click to view price, real time Inventory, Delivery & Lifecycle Information:

[E-Z-Hook](#)  
[XMRRED](#)

For any questions, you can email us directly:

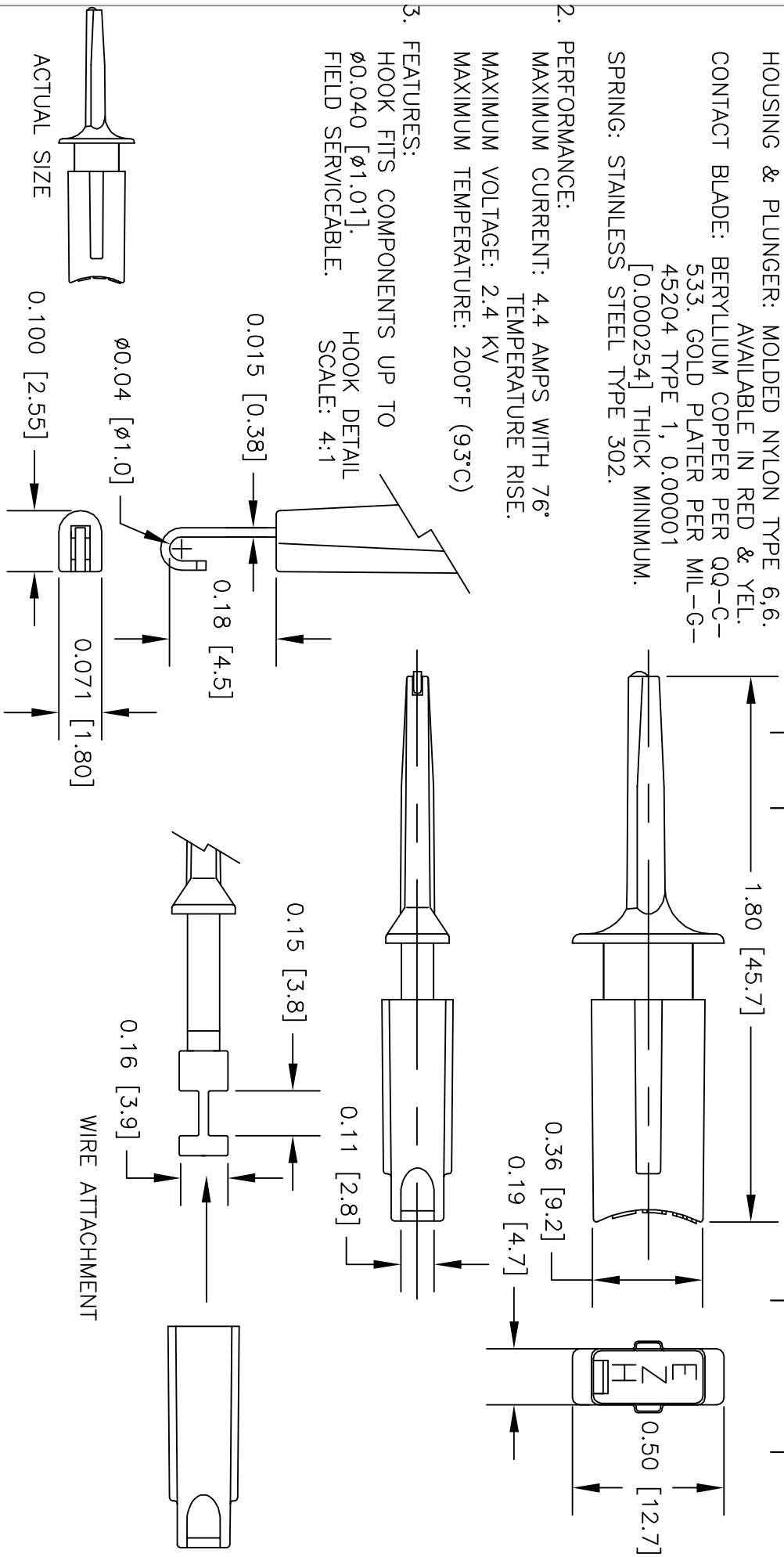
[sales@integrated-circuit.com](mailto:sales@integrated-circuit.com)

NOTES: UNLESS OTHERWISE SPECIFIED

- CONSTRUCTION:  
HOUSING & PLUNGER: MOLDED NYLON TYPE 6,6.  
AVAILABLE IN RED & YEL.  
CONTACT BLADE: BERYLLIUM COPPER PER QQ-C-533. GOLD PLATER PER MIL-G-45204 TYPE 1, 0.00001 [0.0000254] THICK MINIMUM.  
SPRING: STAINLESS STEEL TYPE 302.

- PERFORMANCE:  
MAXIMUM CURRENT: 4.4 AMPS WITH 76° TEMPERATURE RISE.  
MAXIMUM VOLTAGE: 2.4 KV  
MAXIMUM TEMPERATURE: 200°F (93°C)

- FEATURES:  
HOOK FITS COMPONENTS UP TO  $\phi 0.040$  [ $\phi 1.01$ ].  
FIELD SERVICEABLE.



LTR	DESCRIPTION	REVISIONS	DATE	APPROVED

UNLESS OTHERWISE SPECIFIED DIMENSIONS ARE IN INCHES. TOLERANCES ARE: FRACTIONS DECIMALS ANGLES

± .XX ± .XXX ±

CONTRACT NO.

APPROVALS	DATE
R.L.	6/09

DRAWN BY: R.L.

APPROVED BY:

MATERIAL: SEE NOTE.

FINISH: SEE NOTE.

DO NOT SCALE DRAWING

**E-Z-HOOK**  
DIVISION OF TEKTEST INC.  
ARCADIA, CA 91006 U.S.A.

DESCRIPTION:  
E-Z-MICRO HOOK TEST CONNECTOR

SIZE: A  
CODE IDENT NO.: 08505  
DRAWING NO.: XMRRCOLOR

SCALE: 2:1  
SHEET 1 OF 1

APPLICATION: USED ON

NEXT ASSY

THE INFORMATION CONTAINED IN THIS DOCUMENT IS PROPRIETARY TO E-Z-HOOK. THE INFORMATION IS NOT TO BE REPRODUCED WITHOUT PROPER WRITTEN PERMISSION OF E-Z-HOOK, DIV. OF TEKTEST INC. MAXIMUM TESTED RATINGS IN A HANDS-FREE CONTROLLED ENVIRONMENT.