

Excellent Integrated System Limited

Stocking Distributor

Click to view price, real time Inventory, Delivery & Lifecycle Information:

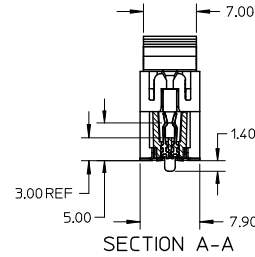
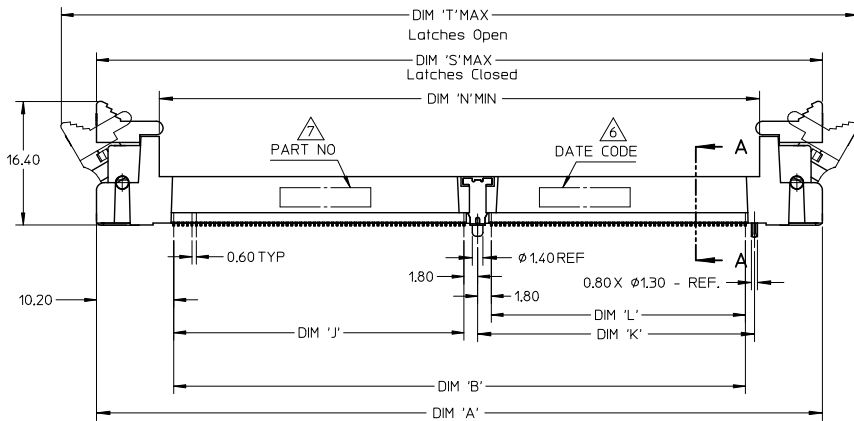
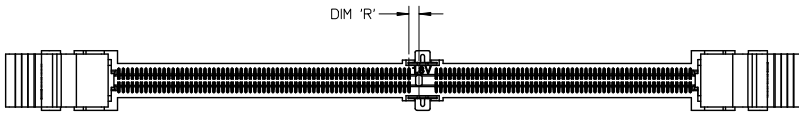
[Molex Connector Corporation](#)
[87782-3003](#)

For any questions, you can email us directly:
sales@integrated-circuit.com

10 9 8 7 6 5 4 3 2 1

NOTES :

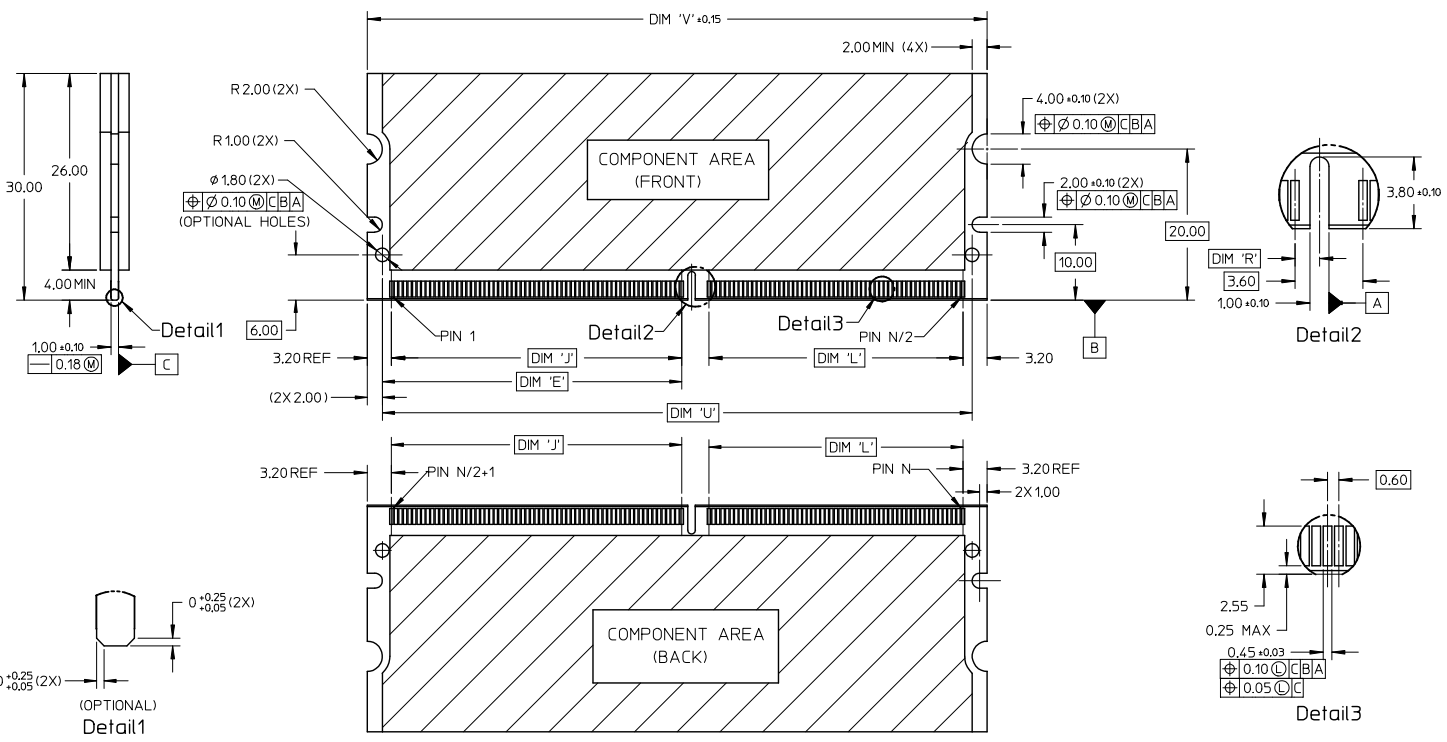
1. MATERIAL :
HOUSING : LIQUID CRYSTAL POLYMER, GLASS FILLED,
UL 94V-0, COLOUR : BLACK
CONTACTS : COPPER ALLOY
LATCHES : HIGH TEMPERATURE NYLON, UL 94V-0
COLOUR : NATURAL (OFF-WHITE)
2. FINISH
CONTACT AREA : 0.76 MICROMETER (30 MICROINCH) MIN GOLD OVER
1.25 MICROMETER (50 MICROINCH) MIN NICKEL
SMT TAIL : 2.54 MICROMETER (100 MICROINCH) MIN TIN OVER
1.25 MICROMETER (50 MICROINCH) MIN NICKEL
3. ACCEPTS 1.0 mm THICK MEMORY MODULE PER JEDEC MO-244
FOR 244 CKTS AND MO-258 FOR 200 CKTS.
4. PRODUCT SPECIFICATION : PS-87782-027
5. PRODUCT SHALL BE PACKED IN TRAY. PLS REFER TO SHEET 5
6. DATE CODE SHALL BE MARKED LEGIBLY AS SHOWN : YYDDD
7. PART NUMBER SHALL BE MARKED LEGIBLY AS SHOWN.
87782-XXXX (REFER TO TABLE)



| | | | | | | | | | |
|---|---|-------------------------------|---------------------------------------|----------------------|---|----------------------|------------------------------|------------------------------|------------------------|
| UPDATE DIMENSION EC NO: S2013-0123 DRW: NKSOR CHK: DGTAN APP: SILENI REV: G3 | DESCRIPTION 2012/09/05 2012/09/12 2012/09/18 | QUALITY SYMBOLS ▽=0 ▽=0 | GENERAL TOLERANCES (UNLESS SPECIFIED) | | DIMENSION STYLE MM ONLY | | SCALE NTS | DESIGN UNITS METRIC | THIRD ANGLE PROJECTION |
| | | | 4 PLACES ± --- ± --- | 3 PLACES ± --- ± --- | 2 PLACES ± 0.13 ± --- | 1 PLACE ± 0.25 ± --- | ANGULAR ± 1 ° | DRAWN BY MLONG | DATE 2003/01/07 |
| DRAFT WHERE APPLICABLE MUST REMAIN WITHIN DIMENSIONS | | | SEE TABLE | | APPROVED BY SKTOH | | DATE 2003/07/17 | MATERIAL NO. SD-87782-001 | |
| | | | SIZE A | | THIS DRAWING CONTAINS INFORMATION THAT IS PROPRIETARY TO MOLEX INCORPORATED AND SHOULD NOT BE USED WITHOUT WRITTEN PERMISSION | | DOCUMENT NO. SD-87782-001 | | SHEET NO. 1 OF 5 |

9 8 7 6 5 4 3 2 1

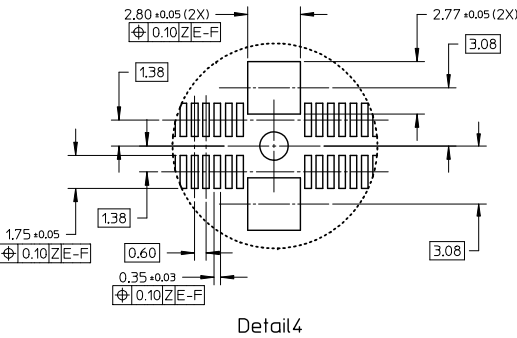
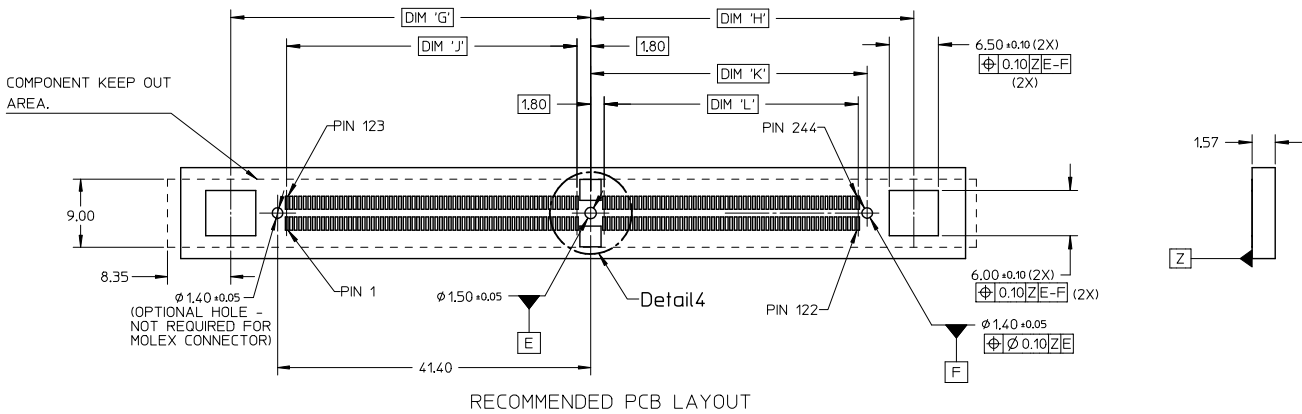
10 9 8 7 6 5 4 3 2 1



| UPDATE DIMENSION EC NO: S2013-0123 DRW: WSKSOH CHKD: LGTAN APPR: SHLENI | 2012/09/05 2012/09/12 2012/09/16 | QUALITY SYMBOLS ▽=0 ▽=0 | GENERAL TOLERANCES (UNLESS SPECIFIED) <table border="1"> <tr> <th></th> <th>mm</th> <th>INCH</th> </tr> <tr> <td>4 PLACES</td> <td>±---</td> <td>±---</td> </tr> <tr> <td>3 PLACES</td> <td>±---</td> <td>±---</td> </tr> <tr> <td>2 PLACES</td> <td>±0.13</td> <td>±---</td> </tr> <tr> <td>1 PLACE</td> <td>±0.25</td> <td>±---</td> </tr> <tr> <td colspan="3">ANGULAR ± 1°</td> </tr> </table> | | mm | INCH | 4 PLACES | ±--- | ±--- | 3 PLACES | ±--- | ±--- | 2 PLACES | ±0.13 | ±--- | 1 PLACE | ±0.25 | ±--- | ANGULAR ± 1° | | | DIMENSION STYLE MM ONLY | SCALE NTS | DESIGN UNITS METRIC | THIRD ANGLE PROJECTION |
|--|--|-------------------------------|---|----------------------|--------------------|---|--------------------|------|------|----------|------|------|----------|-------|------|---------|-------|------|--------------|--|--|-----------------------------------|--------------|------------------------|------------------------|
| | | mm | INCH | | | | | | | | | | | | | | | | | | | | | | |
| | 4 PLACES | ±--- | ±--- | | | | | | | | | | | | | | | | | | | | | | |
| | 3 PLACES | ±--- | ±--- | | | | | | | | | | | | | | | | | | | | | | |
| 2 PLACES | ±0.13 | ±--- | | | | | | | | | | | | | | | | | | | | | | | |
| 1 PLACE | ±0.25 | ±--- | | | | | | | | | | | | | | | | | | | | | | | |
| ANGULAR ± 1° | | | | | | | | | | | | | | | | | | | | | | | | | |
| DRAWN BY MLONG | DATE 2003/01/07 | CHECKED BY PTLIM | DATE 2003/07/16 | APPROVED BY SKTOH | DATE 2003/07/17 | TITLE MINI DIMM, 0.60MM PITCH 200/244 CKTS, VERTICAL | MOLEX INCORPORATED | | | | | | | | | | | | | | | | | | |
| MATERIAL NO. SEE TABLE | DOCUMENT NO. SD-87782-001 | SHEET NO. 2 OF 5 | THIS DRAWING CONTAINS INFORMATION THAT IS PROPRIETARY TO MOLEX INCORPORATED AND SHOULD NOT BE USED WITHOUT WRITTEN PERMISSION | | | | | | | | | | | | | | | | | | | | | | |
| DRAFT WHERE APPLICABLE MUST REMAIN WITHIN DIMENSIONS | | | | | | | | | | | | | | | | | | | | | | | | | |

9 8 7 6 5 4 3 2 1

10 9 8 7 6 5 4 3 2 1



RECOMMENDED PCB LAYOUT

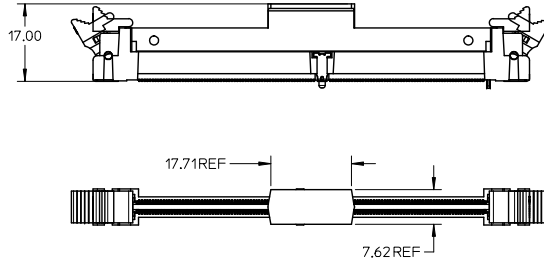
Detail4

| | | | | | | | | | |
|--|-------------------------------|--------------------------------------|--|---------|---|--------------------|--|------------------------------|---------------------------|
| UPDATE DIMENSION EC NO: S2013-0123 DRAWN BY: DRWNEKSOH CHKD: GGTAN APPR: SILENI DATE: 2012/09/05 DATE: 2012/09/12 DATE: 2012/09/18 | DESCRIPTION REV: G3 | QUALITY SYMBOLS ▽=0 ▽=0 | GENERAL TOLERANCES (UNLESS SPECIFIED) | | DIMENSION STYLE MM ONLY | | SCALE NTS | DESIGN UNITS METRIC | THIRD ANGLE PROJECTION |
| | | | 4 PLACES ± --- ± --- | mm INCH | DRAWN BY MLONG | DATE 2003/01/07 | TITLE MINI DIMM, 0.60MM PITCH 200/244 CKTS, VERTICAL | | |
| | | | 3 PLACES ± --- ± --- | | CHECKED BY PTLIM | DATE 2003/07/16 | MOLEX INCORPORATED | | |
| | | | 2 PLACES ± 0.13 ± --- 1 PLACE ± 0.25 ± --- ANGULAR ± 1 ° | | APPROVED BY SKTOH | DATE 2003/07/17 | MATERIAL NO. SEE TABLE | DOCUMENT NO. SD-87782-001 | |
| DRAFT WHERE APPLICABLE MUST REMAIN WITHIN DIMENSIONS | | | SIZE A3 | | THIS DRAWING CONTAINS INFORMATION THAT IS PROPRIETARY TO MOLEX INCORPORATED AND SHOULD NOT BE USED WITHOUT WRITTEN PERMISSION | | | | |

9 8 7 6 5 4 3 2 1

10 9 8 7 6 5 4 3 2 1

FOR OPTIONS WITH COVER



| | | | | | | | | | |
|---|-------------------------------|--|----------------------|----------------------------|--|------------------------------|------------------------|------------------------|--|
| UPDATE DIMENSION EC NO: S2013-0123 DRW: NKSJH CHKD: GGTAN APPR: SHLENI 2012/09/05 2012/09/12 2012/09/16 | QUALITY SYMBOLS ▽=0 ▽=0 | GENERAL TOLERANCES (UNLESS SPECIFIED) | | DIMENSION STYLE MM ONLY | | SCALE NTS | DESIGN UNITS METRIC | THIRD ANGLE PROJECTION | |
| | | 4 PLACES ± --- ± --- | DRAWN BY MLONG | DATE 2003/01/07 | TITLE MINI DIMM, 0.60MM PITCH 200/244 CKTS, VERTICAL | | | | |
| | | 3 PLACES ± --- ± --- | CHECKED BY PTLIM | DATE 2003/07/16 | MOLEX INCORPORATED | | | | |
| | | 2 PLACES ± 0.13 ± --- 1 PLACE ± 0.25 ± --- ANGULAR ± 1 ° | APPROVED BY SKTOH | DATE 2003/07/17 | MATERIAL NO. SEE TABLE | DOCUMENT NO. SD-87782-001 | SHEET NO. 4 OF 5 | | |

9 8 7 6 5 4 3 2 1

10 9 8 7 6 5 4 3 2 1

| CKT SIZE 'N' | PART NUMBER | MODULE CARD | VOLTAGE KEY | DIM 'R' | DIM 'J' | DIM 'K' | DIM 'L' | DIM 'N' | DIM 'A' | DIM 'S' | DIM 'T' | DIM 'E' | DIM 'U' | DIM 'V' | DIM 'G' | DIM 'H' | DIM 'B' | COVER | PACKAGING SPECIFICATION |
|--------------|-------------|-------------|-------------|---------|---------|---------|---------|---------|---------|---------|---------|---------|---------|---------|---------|---------|---------|-------|-------------------------|
| 244 | 87782-2001 | DDR2 | 1.8 V | 1.30 | 38.40 | 36.60 | 33.60 | 79.00 | 96.0 | 96.0 | 106.20 | 39.60 | 78.00 | 82.00 | 47.60 | 42.75 | 75.60 | NIL | PK-87782-004 |
| 244 | 87782-2003 | DDR2 | 1.8 V | 1.30 | 38.40 | 36.60 | 33.60 | 79.00 | 96.0 | 96.0 | 106.20 | 39.60 | 78.00 | 82.00 | 47.60 | 42.75 | 75.60 | YES | PK-87782-005 |
| | 87782-3003 | DDR3 | 1.5 V | 2.30 | | | | | | | | | | | | | | YES | PK-87782-005 |
| 244 | 87782-2005 | DDR2 | 1.8 V | 1.30 | 38.40 | 36.60 | 33.60 | 79.00 | 96.0 | 96.0 | 106.20 | 39.60 | 78.00 | 82.00 | 47.60 | 42.75 | 75.60 | YES | PK-87782-004 |
| | 87782-3005 | DDR3 | 1.5 V | 2.30 | | | | | | | | | | | | | | YES | PK-87782-004 |
| 244 | 87782-2007 | DDR2 | 1.8 V | 1.30 | 38.40 | 36.60 | 33.60 | 79.00 | 96.0 | 96.0 | 106.20 | 39.60 | 78.00 | 82.00 | 47.60 | 42.75 | 75.60 | YES | PK-87782-006 |
| | 87782-3007 | DDR3 | 1.5 V | 2.30 | | | | | | | | | | | | | | YES | PK-87782-006 |
| 244 | 87782-2009 | DDR2 | 1.8 V | 1.30 | 38.40 | 36.60 | 33.60 | 79.00 | 96.0 | 96.0 | 106.20 | 39.60 | 78.00 | 82.00 | 47.60 | 42.75 | 75.60 | YES | PK-87782-002 |
| | 87782-3009 | DDR3 | 1.5 V | 2.30 | | | | | | | | | | | | | | YES | PK-87782-002 |
| 200 | 87782-2201 | DDR2 | 1.8 V | 1.30 | 23.40 | 38.40 | 35.40 | 65.80 | 82.8 | 82.8 | 93.00 | 24.60 | 64.80 | 68.80 | 32.60 | 44.55 | 62.40 | NIL | PK-87782-003 |
| | 87782-2202 | DDR | 2.5 V | 2.30 | | | | | | | | | | | | | | NIL | PK-87782-003 |
| 200 | 87782-2203 | DDR2 | 1.8 V | 1.30 | 23.40 | 38.40 | 35.40 | 65.80 | 82.8 | 82.8 | 93.00 | 24.60 | 64.80 | 68.80 | 32.60 | 44.55 | 62.40 | YES | PK-87782-003 |
| | 87782-2204 | DDR | 2.5 V | 2.30 | | | | | | | | | | | | | | YES | PK-87782-003 |
| 244 | 87782-6001 | DDR2 | 1.8 V | 1.30 | 38.40 | 36.60 | 33.60 | 79.00 | 96.0 | 96.0 | 106.20 | 39.60 | 78.00 | 82.00 | 47.60 | 42.75 | 75.60 | YES | PK-87782-001 |
| | 87782-6003 | DDR3 | 1.5 V | 2.30 | | | | | | | | | | | | | | YES | PK-87782-001 |

| | | | | | | | | | |
|---|--------------------------------------|--|---|-----------------------------------|--------------------|--|------------------------------|---------------------------|--|
| UPDATE DIMENSION EC NO: S2013-0123 DRAWN BY: JDRWNEKSOH CHKD: GGTAN APPR: SHLENI 2012/09/05 2012/09/12 2012/09/18 | QUALITY SYMBOLS ▽=0 ▽=0 | GENERAL TOLERANCES (UNLESS SPECIFIED) | | DIMENSION STYLE MM ONLY | | SCALE NTS | DESIGN UNITS METRIC | THIRD ANGLE PROJECTION | |
| | | 4 PLACES ± --- ± --- 3 PLACES ± --- ± --- 2 PLACES ± 0.13 ± --- 1 PLACE ± 0.25 ± --- ANGULAR ± 1 ° | mm INCH ± --- ± --- ± --- ± --- ± --- ± --- ± --- ± --- | DRAWN BY MLONG | DATE 2003/01/07 | TITLE MINI DIMM, 0.60MM PITCH 200/244 CKTS, VERTICAL | | | |
| | | DRAFT WHERE APPLICABLE MUST REMAIN WITHIN DIMENSIONS | | CHECKED BY PTLIM | DATE 2003/07/16 | APPROVED BY SKTOH | | | |
| | | MATERIAL NO. SEE TABLE | | DATE 2003/07/17 | MOLEX INCORPORATED | | DOCUMENT NO. SD-87782-001 | SHEET NO. 5 OF 5 | |

10 9 8 7 6 5 4 3 2 1