

## Excellent Integrated System Limited

Stocking Distributor

Click to view price, real time Inventory, Delivery & Lifecycle Information:

[Phoenix Contact](#)  
[1534630](#)

For any questions, you can email us directly:  
[sales@integrated-circuit.com](mailto:sales@integrated-circuit.com)



Extract from the online catalog

## SACC-DSIV-M12FSD-4CON-L90

Order No.: 1534630



<http://eshop.phoenixcontact.de/phoenix/treeViewClick.do?UID=1534630>

Bus system flush-type socket, ETHERNET, 4-pos., M12, shielded, D-coded, rear/screw mounting, with angled solder connection



Ethernet

### Commercial data

EAN	4046356026802
Pack	10 pcs.
Customs tariff	85369010
Weight/Piece	0.01433 KG
Catalog page information	Page 31 (PC-2009)

### Product notes

WEEE/RoHS-compliant since:  
03/20/2006



<http://www.download.phoenixcontact.com>  
 Please note that the data given here has been taken from the online catalog. For comprehensive information and data, please refer to the user documentation. The General Terms and Conditions of Use apply to Internet downloads.

### Technical data

#### General data

Nominal current $I_N$	4 A
Nominal voltage $U_N$	250 V
Number of positions	4
Volume resistance	$\leq 3 \text{ m}\Omega$

SACC-DSIV-M12FSD-4CON-L90 Order No.: 1534630  
<http://eshop.phoenixcontact.de/phoenix/treeViewClick.do?UID=1534630>

Insulation resistance	≥ 100 MΩ
Ambient temperature (operation)	-25 °C ... 85 °C

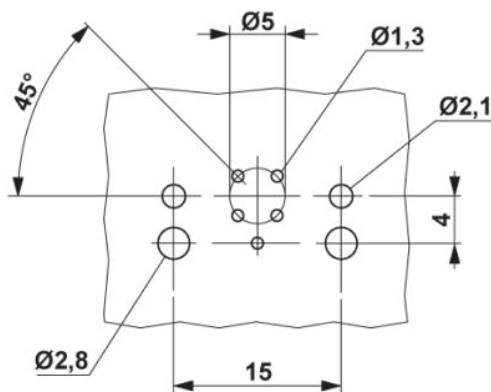
**General characteristics**

Coding	D - data
Surge voltage category	II
Pollution degree	3
Degree of protection	IP67
Contact material	CuZn
Contact surface material	Au
Contact carrier material	PA 66
Material, knurls	Nickel-plated brass
Sealing material	NBR
Mounting type	Rear mounting M12 x 1 With locking nut
Type of connection	Solder pins
Status display	No

**Diagrams/Drawings**

Drilling plan/solder pad geometry

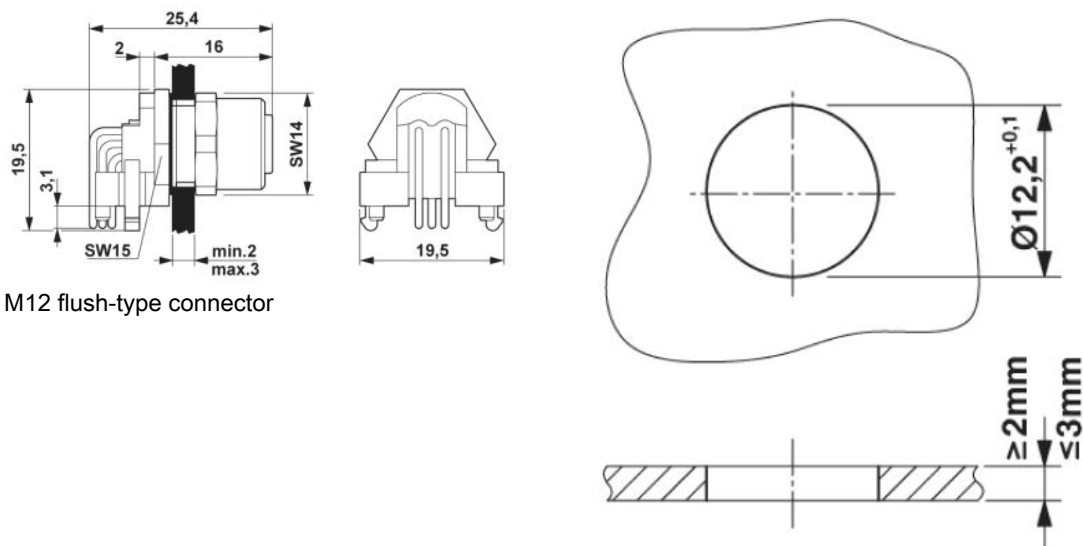
M12 flush-type connector



SACC-DSIV-M12FSD-4CON-L90 Order No.: 1534630

<http://eshop.phoenixcontact.de/phoenix/treeViewClick.do?UID=1534630>

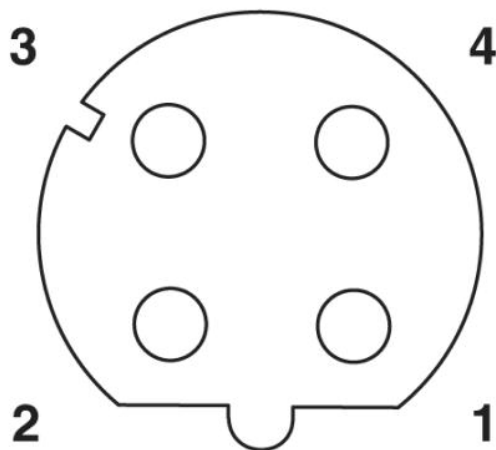
Dimensioned drawing



M12 flush-type connector

Panel cutout

Schematic diagram



Pin assignment M12 female connector, 4-pos., D-coded, female side

SACC-DSIV-M12FSD-4CON-L90 Order No.: 1534630

<http://eshop.phoenixcontact.de/phoenix/treeViewClick.do?UID=1534630>

---

**Address**

PHOENIX CONTACT Inc., USA  
586 Fulling Mill Road  
Middletown, PA 17057, USA  
Phone (800) 888-7388  
Fax (717) 944-1625  
<http://www.phoenixcon.com>



© 2010 Phoenix Contact  
Technical modifications reserved;