

## **Excellent Integrated System Limited**

Stocking Distributor

Click to view price, real time Inventory, Delivery & Lifecycle Information:

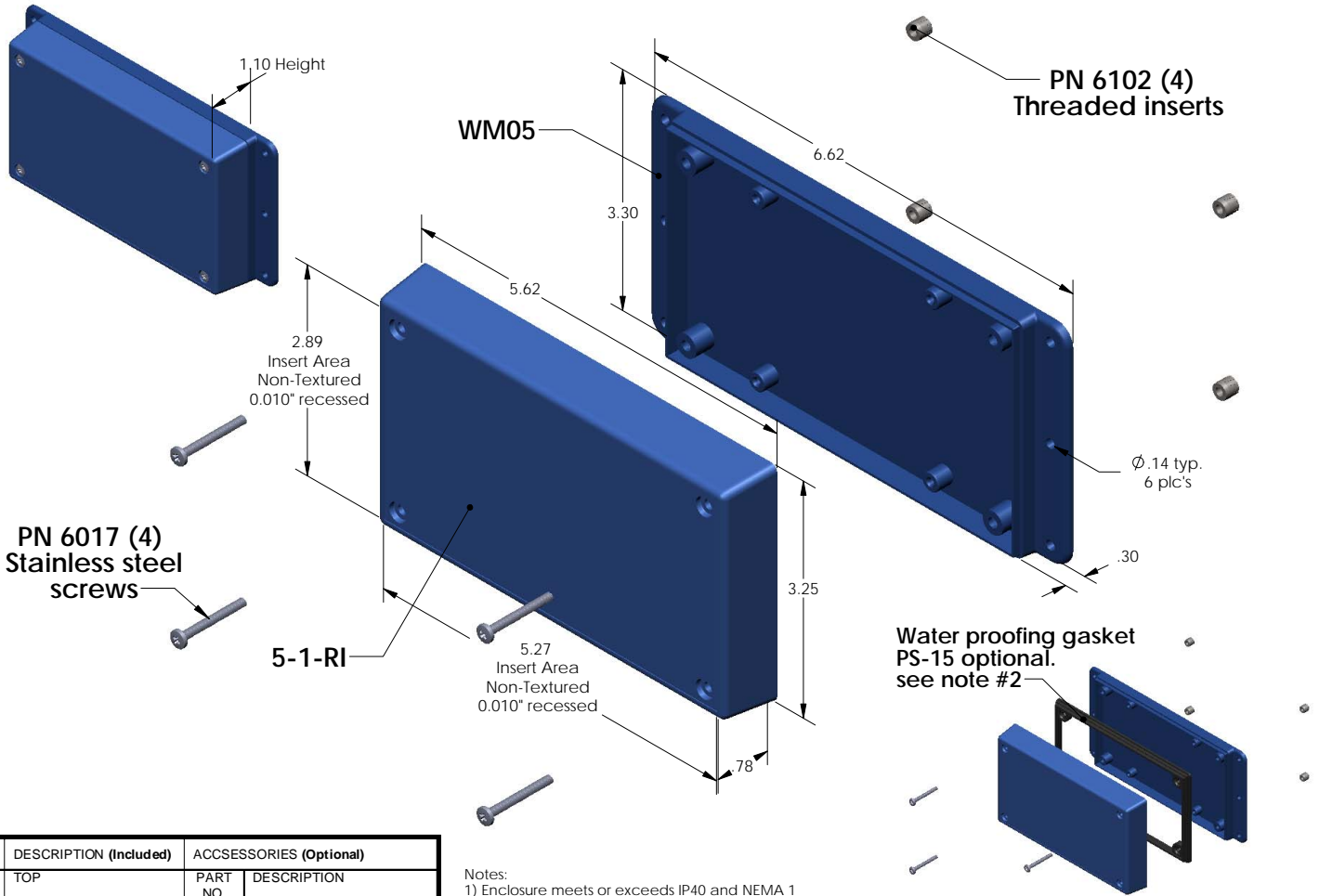
[Serpac Electronic Enclosures](#)  
[WM051RI,AL](#)

For any questions, you can email us directly:

[sales@integrated-circuit.com](mailto:sales@integrated-circuit.com)

# SERPAC WM051-RI (exploded isometric)

Electronic Enclosures



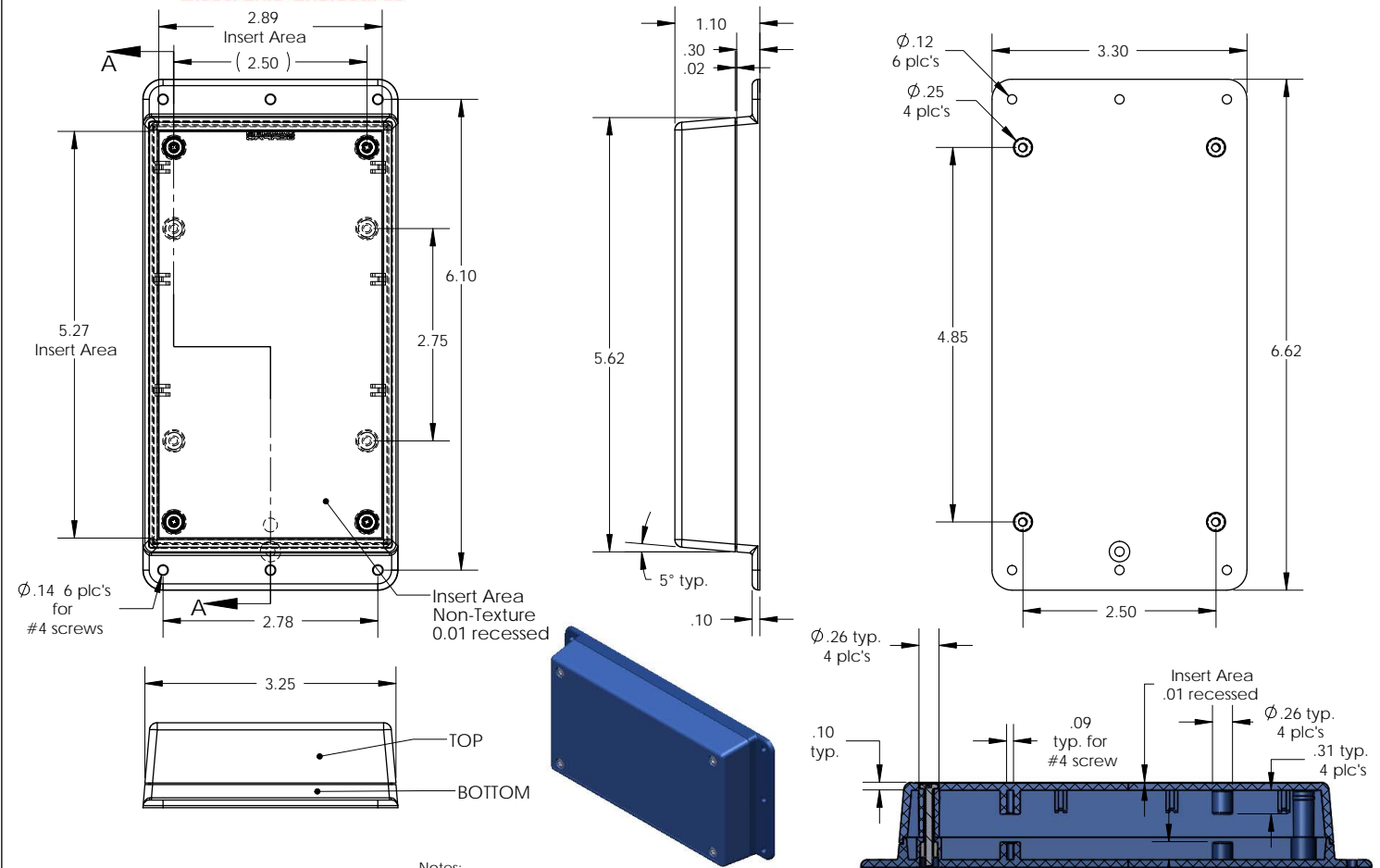
| PART NO. | DESCRIPTION (Included) | ACCESSORIES (Optional) |                      |
|----------|------------------------|------------------------|----------------------|
| 5-1-RI   | TOP                    | PART NO.               | DESCRIPTION          |
| WM05     | BOTTOM                 | 50                     | Non-skid Feet        |
| 6017     | 4-40 SCREW (4)         | PS-15                  | Perimeter Seal       |
| 6102     | THREADED INSERTS (4)   | 350                    | Prototype grid board |
|          |                        | 450                    | Prototype clad board |

- Notes:
- 1) Enclosure meets or exceeds IP40 and NEMA 1
  - 2) When used with PS-15 the enclosure meets or exceeds IP 67 and NEMA 4X, 12 and 13 MIL-STD-810G 506.5
  - 3) Circuit Board drawings can be download at:  
<http://www.serpac.com/Accessories/CircuitBoard/drawings/350-450-cbg.pdf>
  - 4) All components are RoHS Compliant.

ALL DIMENSIONS ARE ±.010" 6/02/09 (1 of 2)  
 619 Commercial Ave. Covina, CA 91723  
 Ph. (626) 331-0517 Fx. (626) 331-8584 serpac.com

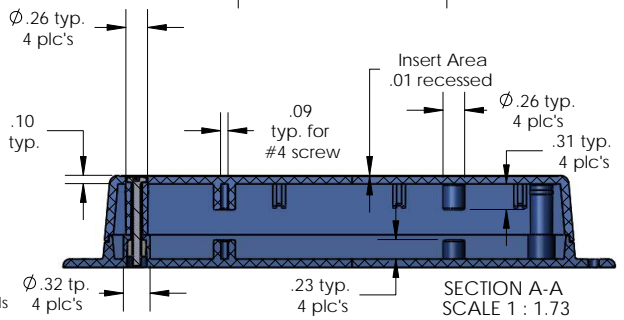
# SERPAC WM051-RI (user print)

Electronic Enclosures



| PART NO. | DESCRIPTION (Included) | ACCESSORIES (Optional) |                      |
|----------|------------------------|------------------------|----------------------|
|          |                        | PART NO.               | DESCRIPTION          |
| 5-1-RI   | TOP                    |                        |                      |
| WM05     | BOTTOM                 | 50                     | Non-skid Feet        |
| 6017     | 4-40 SCREW (4)         | PS-15                  | Perimeter Seal       |
| 6102     | THREADED INSERTS (4)   | 350                    | Prototype and board  |
|          |                        | 450                    | Prototype clad board |

- Notes:
- 1) Enclosure meets or exceeds IP40 and NEMA 1
  - 2) When used with PS-15 the enclosure meets or exceeds IP 67 and NEMA 4X, 12 and 13 MIL-STD-810G 506.5
  - 3) Circuit Board drawings can be download at: <http://www.serpac.com/Accessories/CircuitBoard/drawings/350-450-cbg.pdf>
  - 4) All components are RoHS Compliant.



ALL DIMENSIONS ARE  $\pm .010"$  6/02/09 (2 of 2)  
 619 Commercial Ave. Covina, CA 91723  
 Ph. (626) 331-0517 Fx. (626) 331-8584 www.serpac.com