

Excellent Integrated System Limited

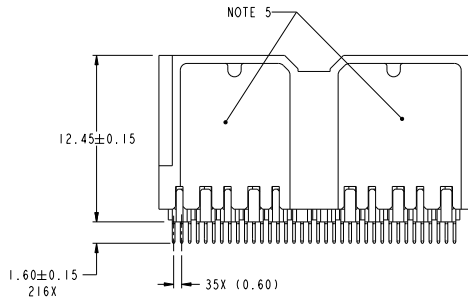
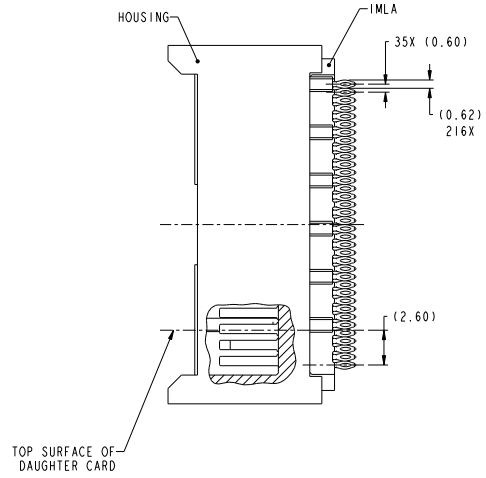
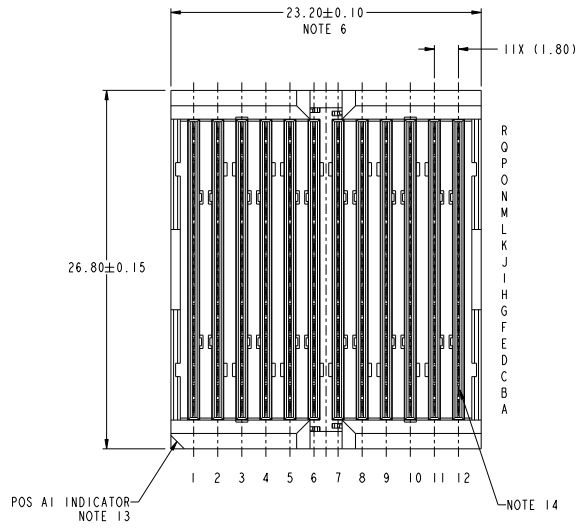
Stocking Distributor

Click to view price, real time Inventory, Delivery & Lifecycle Information:

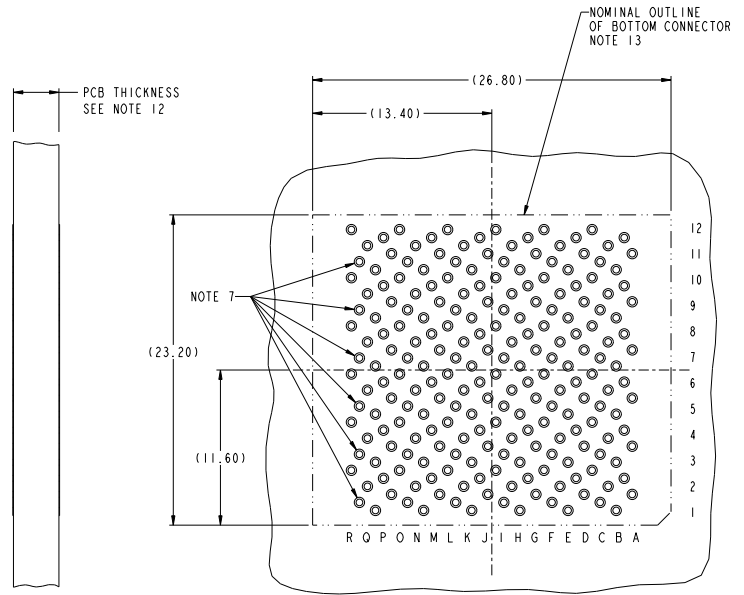
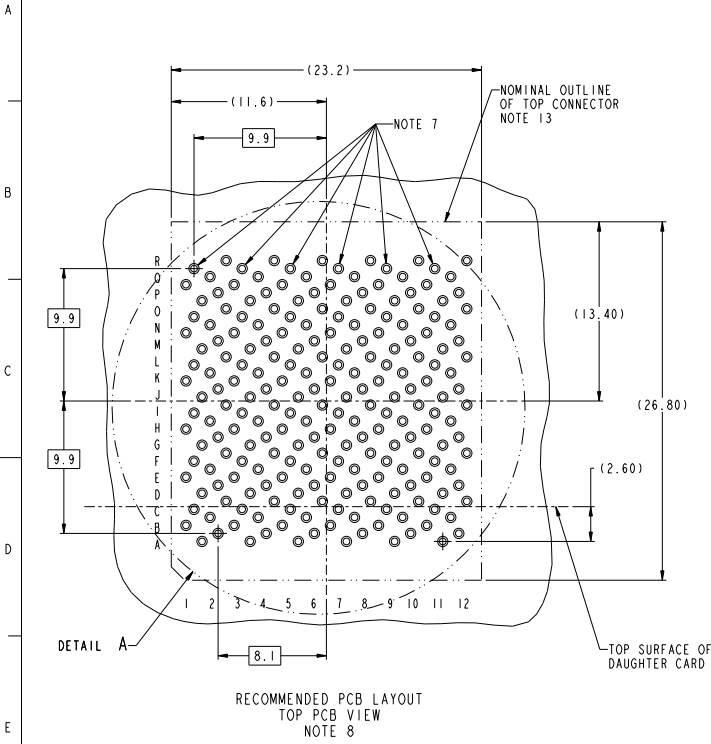
[FCI](#)
[10080640-101LF](#)

For any questions, you can email us directly:
sales@integrated-circuit.com

Product number
SEE TABLE, SHT 4



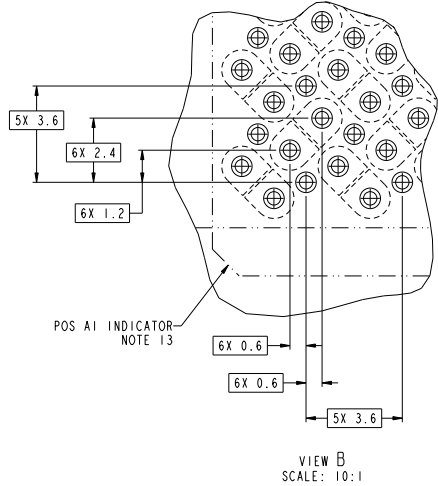
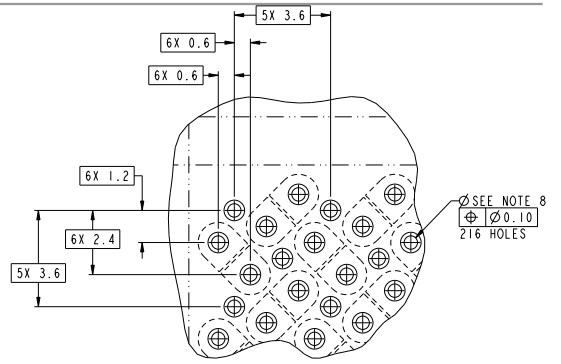
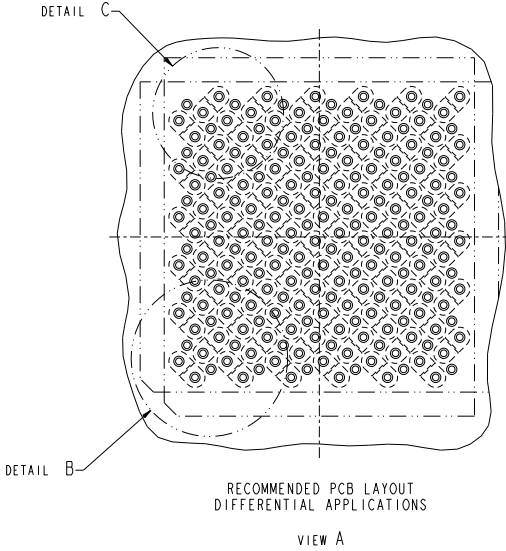
| | | | | | | | | |
|---------------|---------------------------------------|---------------|---------------|---------------|----------------|-----------------------------------|--------------|--------------|
| spec. ref. | dr. G. HULL | 2007-10-03 | projection | MM | size | A2 | scale | 5:1 |
| tolerance std | eng. D. JOHNSCU | 2007-10-03 | ch. Y. K. LIM | 2010-10-25 | product family | ZipLine | rel. level | RELEASED |
| ASME Y14.5 | tolerances UNLESS OTHERWISE SPECIFIED | appr. JOEY NG | 2010-10-25 | | | | | |
| surface | linear | 0.X ± 0.3 | 0.XX ± 0.10 | 0.XXX ± 0.050 | FCI | ZipLine ORTHOGONAL VERT HDR | 10080640 | rev A |
| ASME Y14.5 | angular | 0° ± 2° | | | www.fci.com | 6PR, 12 IMLA, 1.8mm PITCH, 23.4mm | Customer Drw | sheet 1 of 4 |



RECOMMENDED PCB LAYOUT
BOTTOM PCB VIEW

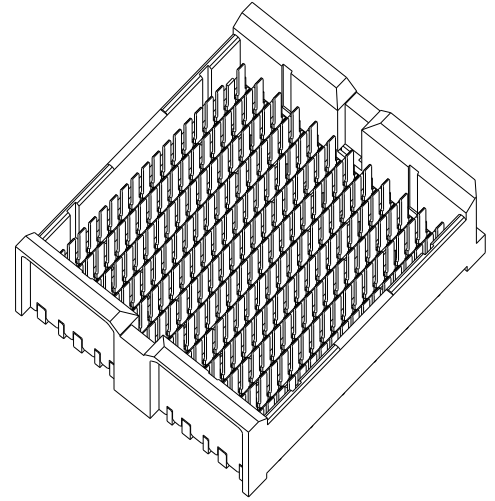
Copyright FCI

| | | | | | | | | | |
|---------------|---------|-------------|-----------------------------------|----------------|---------------|------------|----------|-------|--------|
| spec. ref. | dr. | G. HULL | 2007-10-03 | projection | MM | size | A2 | scale | 5:1 |
| tolerance std | eng. | D. JONESCU | 2007-10-03 | 1st angle | | acc. no. | | | |
| ASME Y14.5 | cht. | Y. K. LIM | 2010-10-25 | product family | ZipLine | rel. level | RELEASED | | |
| | appr. | JOEY NG | 2010-10-25 | | | | | | |
| surface | linear | FCI | ZipLine ORTHOGONAL VERT HDR | | | part no. | 10080640 | rev | A |
| ASME Y14.5 | angular | www.fci.com | 6PR, 12 IMLA, 1.8mm PITCH, 23.4mm | Product | Customer Draw | | | sheet | 2 of 4 |
| | | | | | | | | | |



| | | | | | | | | | |
|---------------|---------|-------------|------------|----------------|-----------------------------------|------------|----------|-------|-----|
| spec. ref. | dr | G. HULL | 2007-10-03 | projection | MM | size | A2 | scale | 5:1 |
| tolerance std | eng | D. JOINESCU | 2007-10-03 | product family | ZipLine | rel. level | RELEASED | | |
| ASME Y14.5 | chf | T. K. LIM | 2010-10-25 | part no. | | 10080640 | | | |
| | appr | JOEY NG | 2010-10-25 | Product | ZipLine ORTHOGONAL VERT HDR | | | | |
| surface | linear | | | | 6PR, 12 IMLA, 1.8mm PITCH, 23.4mm | | | | |
| ASME Y14.5 | angular | | | | | | | | |

| PART NUMBER | PRESS-FIT TAIL PLATING TYPE | SHORT DETECT CONTACT |
|----------------|-----------------------------|----------------------|
| 10080640-101LF | TIN OVER NICKEL (LEAD FREE) | NO |
| 10080640-111LF | TIN OVER NICKEL (LEAD FREE) | YES |



10080640-1X1LF

NOTES:

1. CONNECTOR MATERIALS:
 HOUSING: HIGH TEMP THERMOPLASTIC, BLACK, UL94V-0
 IMLA PLASTIC: HIGH TEMP THERMOPLASTIC, BLACK, UL94V-0
 CONTACT: COPPER ALLOY
2. CONTACT PLATING:
 SEPARABLE INTERFACE: PERFORMANCE-BASED PLATING, QUALIFIED TO MEET THE REQUIREMENTS OF FCI PRODUCT SPECIFICATION GS-12-452 INCLUDING TELCORDIA GR-1217-CORE (NOVEMBER 1995) CENTRAL OFFICE TEST SEQUENCE PRESS-FIT TAILS: SEE TABLE
3. PRODUCT SPECIFICATION: GS-12-452.
4. APPLICATION SPECIFICATION: GS-20-094.
5. PRODUCT MARKING, (PART NUMBER & LOT CODE), ON THESE SURFACES.
6. FOR NON-ORTHOGONAL APPLICATIONS, THE MINIMUM CENTERLINE SPACING BETWEEN ADJACENT MODULES IS 23.4mm.
7. THERE IS NO GROUND BUSSING WITHIN THE HEADER CONNECTOR. HOWEVER, POSITIONS R1, R3, R5, R7, R9, & R11 OF THE MATING RECEPTACLE ARE BUSSED. THESE MUST BE ASSIGNED AS GROUNDS.
8. REFER TO CUSTOMER DRAWING 10045979 FOR INFORMATION ON PCB HOLE DIAMETERS AND PLATING OPTIONS.
9. THIS PRODUCT MEETS EUROPEAN UNION DIRECTIVES AND OTHER COUNTRY REGULATIONS AS DESCRIBED IN GS-22-008.
10. THE HOUSING WILL WITHSTAND EXPOSURE TO 260°C PEAK TEMPERATURE FOR 40 SECONDS IN A CONVECTION, INFRA-RED OR VAPOR PHASE REFLOW OVEN.
11. PACKAGING MEETS GS-14-920 LEAD FREE LABELING SPECIFICATION.
12. MINIMUM PCB THICKNESS TO BE 3.5mm FOR ORTHOGONAL APPLICATIONS.
13. CONNECTOR OUTLINE WITH HOUSING POS A1 INDICATOR MAY BE SCREEN PRINTED ONTO CUSTOMER PCB TO BE USED AS A GUIDE FOR MANUAL CONNECTOR PLACEMENT.
14. FOR -11X ASSEMBLIES, MATING PIN B12 HAS 0.60 mm LESS NOMINAL WIPE THAN OTHER PINS.

Copyright FCI.

| | | | | | | | | |
|---------------|-----------------|------------|------------------------|--------------|-----------------------------------|---------------|--------------|----------|
| spec. ref. | dr. G. HULL | 2007-10-03 | projection | MM | size | A2 | scale | 5:1 |
| tolerance std | eng. D. JONESCU | 2007-10-03 | ch. Y. K. LIM | 2010-10-25 | product family | ZipLine | rel. level | RELEASED |
| ASME Y14.5 | app. JOEY NG | 2010-10-25 | FCI logo | | ZipLine ORTHOGONAL VERT HDR | 10080640 | rev | A |
| surface | linear | 0.X ±0.3 | 0.XX ±0.10 | 0.XXX ±0.050 | 6PR, 12 IMLA, 1.8mm PITCH, 23.4mm | | | |
| ASME Y14.5 | angular | 0° ±2° | www.fci.com (rel. no.) | | Product | Customer Draw | sheet 4 of 4 | |