

## Excellent Integrated System Limited

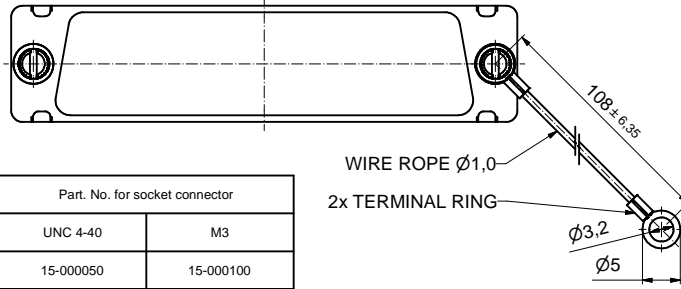
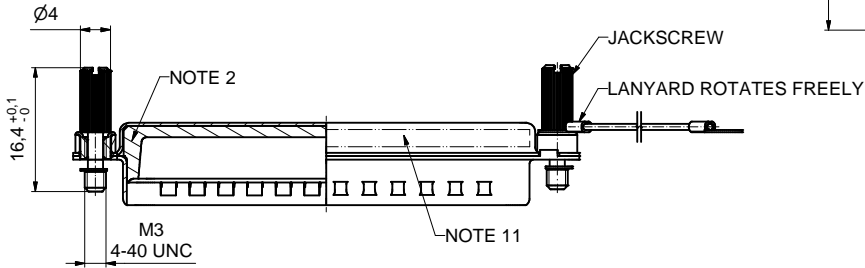
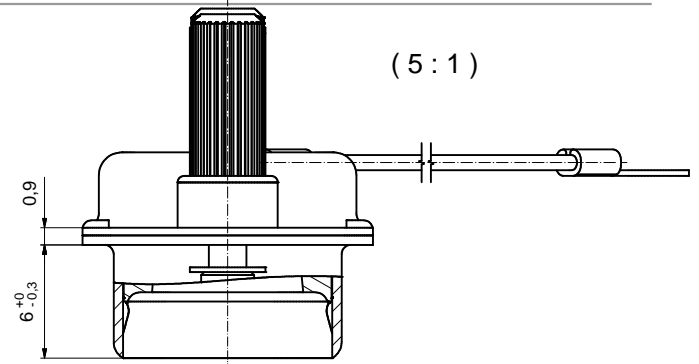
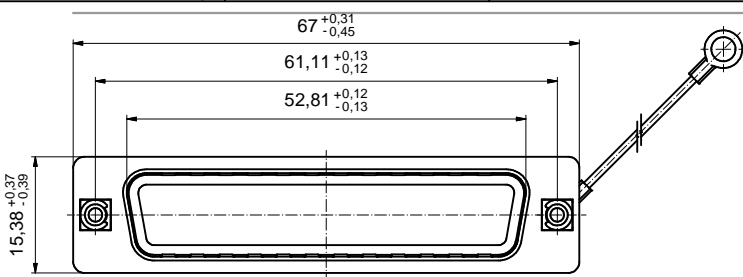
Stocking Distributor

Click to view price, real time Inventory, Delivery & Lifecycle Information:

[Conec](#)  
[15-000050](#)

For any questions, you can email us directly:

[sales@integrated-circuit.com](mailto:sales@integrated-circuit.com)



Part. No. for socket connector	
UNC 4-40	M3
15-000050	15-000100

**NOTES:**

- METALSHELLS: COPPER ALLOY; min. 315µin TIN over 40-80µin NICKEL
- TPE ETHYLENE PROPYLENE THERMOPLASTIC RUBBER SEAL
- IP RATING: THE WATER RESISTANT CAP MUST BE MOUNTED PROPERLY TO THE MATING CONNECTOR FOR IP 67
- THREADED INSERT: COPPER ALLOY; min. 200µin TIN over 80µin NICKEL
- COLLAR: COPPER ALLOY; min. 200µin TIN over 80µin NICKEL
- JACKSCREW: STAINLESS STEEL 1.4305
- WIRE ROPE: STAINLESS STEEL 1.4401
- RETAINING WASHER: STAINLESS STEEL 1.4122
- TERMINAL RING: UNINSULATED, COPPER ALLOY; min. 200µinTIN over 80µin NICKEL
- MAXIMUM TORQUE VALUE FOR THREAD: 6in.LB
- CONNECTOR IS PART MARKED: [PART NO. CONEC ABC]

Directive 2002/95 EC  
RoHS  
Compliant

THESE DRAWINGS MAY NOT BE REPRODUCED OR REPRODUCED IN ANY MANNER WITHOUT WRITTEN PERMISSION. OWNERSHIP AND COPYRIGHT OF CONEC GMBH DO NOT ALTER CAD DRAWING BY HAND	tolerance	ISO 2768-m	scale:	2:1 (5:1)
	material:		material:	SEE NOTES
	dim. in mm		title:	WATER RESISTANT SCREEN CAP
	date	name	dwg no:	15K1A224
drawn	23.05.08	Petker	Inventor 10	DIN-A3
appd.	26.05.08	Fischer		sh: 1
norm				
d-old				
rev.	description	date	name	part no: see table

