

Excellent Integrated System Limited

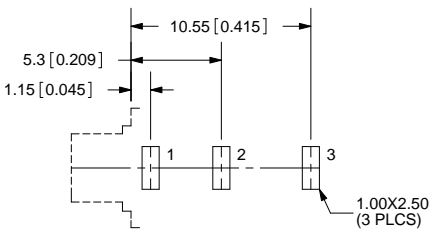
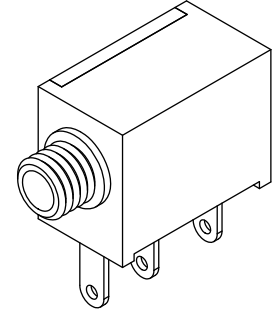
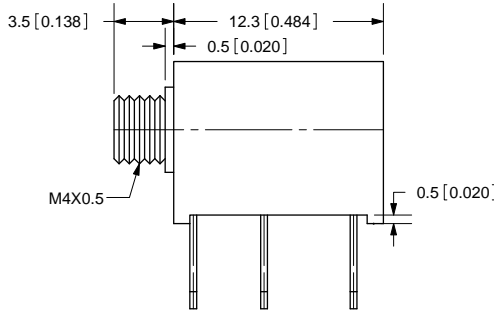
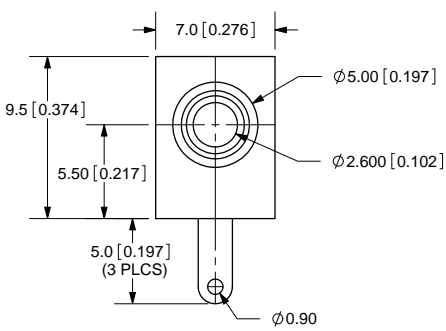
Stocking Distributor

Click to view price, real time Inventory, Delivery & Lifecycle Information:

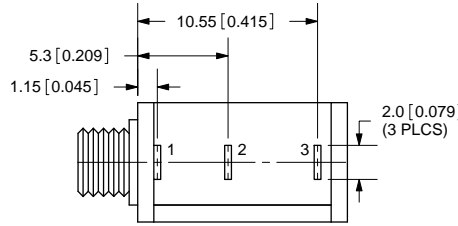
[CUI Inc.](#)
[MJ1-2502](#)

For any questions, you can email us directly:
sales@integrated-circuit.com

REV.	DESCRIPTION	DATE
A	NEW DRAWING	6/24/2009



PCB LAYOUT
TOP VIEW



TOLERANCE:
X.X ±0.2mm
X.XX ±0.1mm
X.XXX ±0.05mm



MODEL NO.	MJ1-2502
SCHEMATIC	

SPECIFICATIONS:
RATING: 12V DC @ 1A
CONTACT RESISTANCE: 30m OHMS MAX
INSULATION RESISTANCE: 50M OHMS MIN: 500V DC
VOLTAGE WITHSTAND: 500V AC R.M.S. FOR 1 MINUTE
LIFE: 5,000 CYCLES

	MATERIAL	PLATING
TERMINAL 1	Brass	Tin
TERMINAL 2	Copper Alloy	Tin
TERMINAL 3	Brass	Tin
BUSHING	Brass	Nickel
HOUSING	PBT	



CUI INC

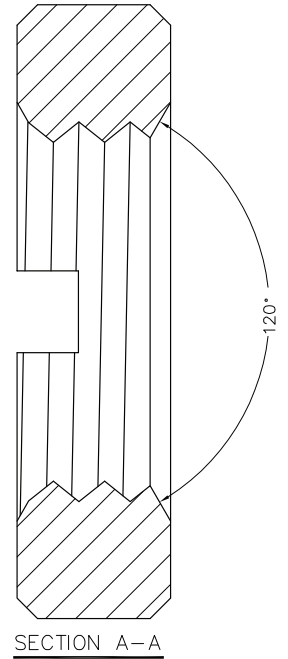
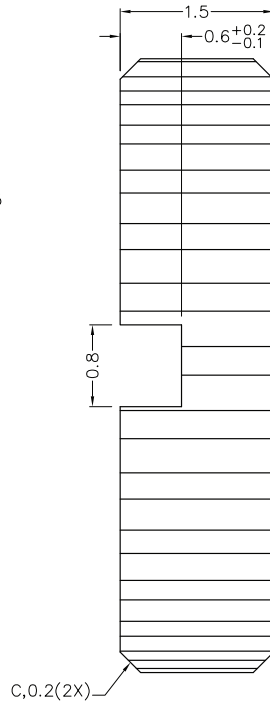
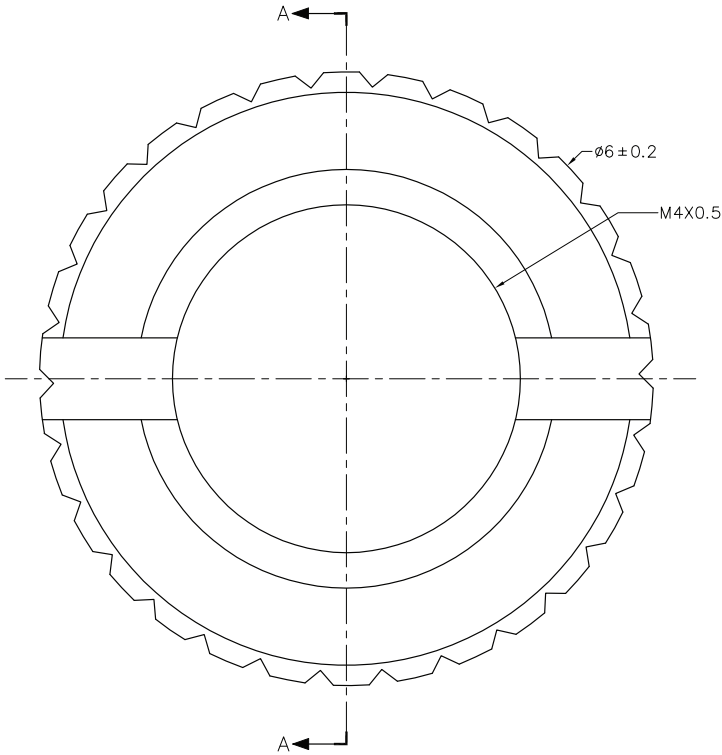
20050 SW 112th Ave.
Tualatin, OR 97062
Phone: 503-612-2300
800-275-4899
Fax: 503-612-2383
Website: www.cui.com

TITLE:	2.5mm AUDIO JACK-MONO	REV:	A
PART NO.	MJ1-2502	UNITS:	MM [INCHES]
DRAWN BY:	ZRJ	APPROVED BY:	
SCALE:			3:1

PC FILE NAME:
MJ1-2502

COPYRIGHT 2009 BY CUI INC.

REV.	DESCRIPTION	DATE
A	NEW DRAWING	6/24/2009



FINISH: NICKEL PLATING

TOLERANCE UNLESS
OTHERWISE SPECIFIED: ± 0.1



20050 SW 112th Ave.
Tualatin, OR 97062
Phone: 503-612-2300
800-275-4899
Fax: 503-612-2383
Website: www.cui.com



TITLE: M4X0.5 (2.5 mm) nut		REV: A
PART NO. MJ1-2502	UNITS: MM	
DRAWN BY: JRH	APPROVED BY:	SCALE: