

Excellent Integrated System Limited

Stocking Distributor

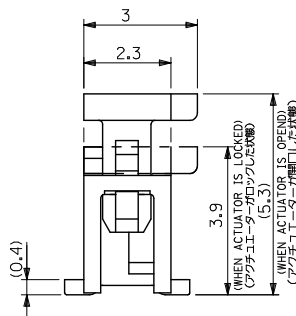
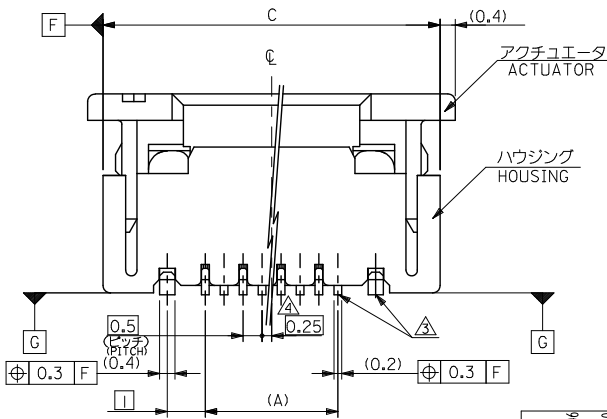
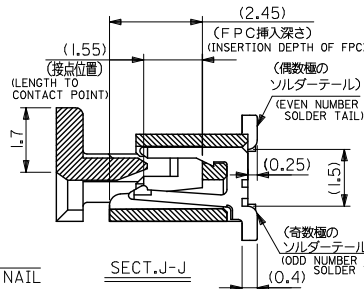
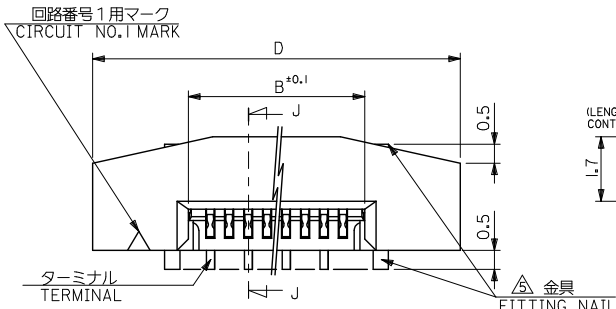
Click to view price, real time Inventory, Delivery & Lifecycle Information:

[Molex Connector Corporation](#)
[0525592452](#)

For any questions, you can email us directly:

sales@integrated-circuit.com

10 9 8 7 6 5 4 3 2 1



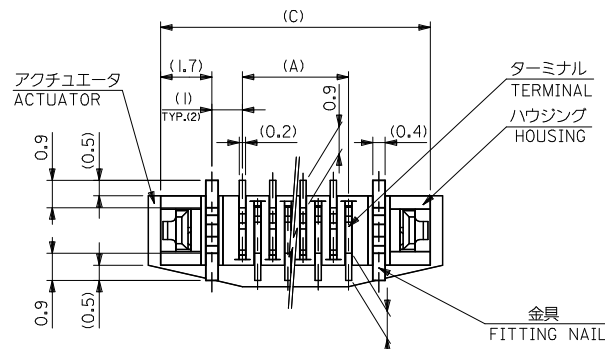
注記 NOTES

- 使用材料: MATERIAL
 - ハウジング HOUSING : 46NYLON UL94V-0
 - アクチュエータ ACTUATOR : PPS UL94V-0
 - ターミナル TERMINAL :
 - リン青銅 (t=0, 2) PHOS-BRO
 - 接点部 金メッキ 0.1マイクromメートル以上 CONTACT GOLD 0.1 MICROMETER MINIMUM
 - 手田付け部 鍍メッキ 1.0マイクromメートル以上 TAIL TIN 1.0 MICROMETER MINIMUM
 - ニッケル下地 1.0マイクromメートル以上 NICKEL (UNDER PLATING) 1.0 MICROMETER MINIMUM
 - リン青銅 (t=0, 4)
 - 金具 FITTING NAIL :
 - 鍍メッキ 1.0マイクromメートル以上 TIN 1.0 MICROMETER MINIMUM
 - ニッケル下地 1.0マイクromメートル以上 NICKEL (UNDER PLATING) 1.0 MICROMETER MINIMUM
- エンボスステップ極部は、アクチュエータがロックした状態とする。
IN THE PACKAGE, ACTUATOR OF PART NO. 52559-**79 SHOULD BE LOCKED.
- ソルダータール半田付け面のズレ量、及び金具半田付け面のズレ量は、基準面 G に対し上下 0.05 MAX., 下方向 0.15 MAX. とする。
MISALIGNMENT OF SOLDER TAILS AND FITTING NAILS FROM UPPER DIRECTION: 0.05 MAX., LOWER DIRECTION: 0.15 MAX.
- 偶数極に適用。
APPLY FOR EVEN CIRCUIT.
- パターンはくしり止め用金具。
FITTING NAIL FOR PREVENTION OF PEELING OF P.C.B. PATTERN.
- RO, 3は、FPCの導体部にカからないこと。
RO.3 MUST NOT BE OVERLAPPED TO PATTERN OF FPC.

GENERAL TOLERANCES (UNLESS SPECIFIED)			DIMENSION STYLE		SCALE	DESIGN UNITS	THIRD ANGLE PROJECTION	
0.25 UNDER	UNDER	±0.03	MM ONLY		---	METRIC		
0.25 OVER	0.5 UNDER	±0.05	DRAWN BY	DATE	TITLE			
0.5 OVER	1.0 UNDER	±0.1	MINABEI	'04/07/13	0.5 FPC CONN ASSY ZIF.			
1.0 OVER	10 UNDER	±0.2	CHECKED BY	DATE	-LEAD FREE-			
10 OVER	30 UNDER	±0.25	KTOJO	'04/07/13	molex			
30 OVER		±0.3	APPROVED BY	DATE	DOCUMENT NO.			
ANGULAR ±3°			NUKITA	'04/07/13	SD-52559-048			
DRAFT WHERE APPLICABLE MUST REMAIN WITHIN DIMENSIONS			MATERIAL NO.		SEE SHEET 2		SHEET NO.	
			SIZE A3		1 OF 2			
			THIS DRAWING CONTAINS INFORMATION THAT IS PROPRIETARY TO MOLEX INCORPORATED AND SHOULD NOT BE USED WITHOUT WRITTEN PERMISSION					

9 8 7 6 5 4 3 2 1

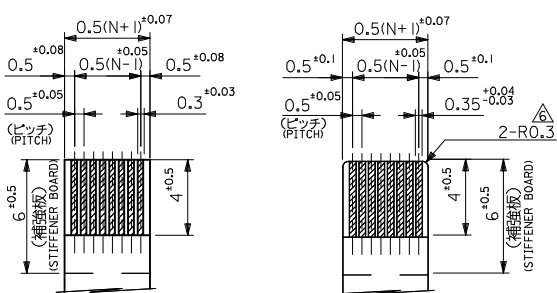
10 9 8 7 6 5 4 3 2 1



FPCについて：
打抜き方向は導体側から補強板側を推奨致します。
補強フィルム材質はポリイミドを推奨致します。
接着剤は熱硬化接着剤を推奨致します。

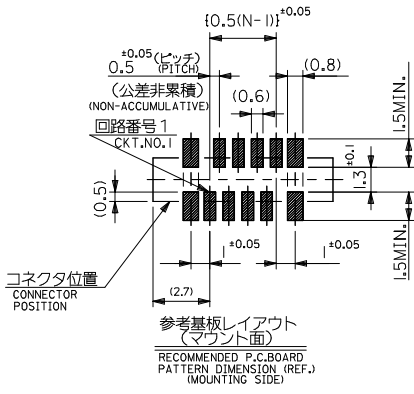
ABOUT FPC :
RECOMMENDED PUNCHER DIRECTION : FROM CONDUCTOR SIDE TO STIFFENER BOARD SIDE.
RECOMMENDED MATERIAL :
STIFFENER FILM : POLYIMIDE
BONDING AGENT : THERMOSETTING BONDING AGENT

下面図
BOTTOM VIEW



適合FFC推奨寸法
APPLICABLE FFC
RECOMMENDED DIMENSION.
(仕上がり厚さ: 0.3^{+0.05})
(THICKNESS: 0.3^{+0.05})

適合FPC推奨寸法
APPLICABLE FPC
RECOMMENDED DIMENSION.
(仕上がり厚さ: 0.3^{+0.05})
(THICKNESS: 0.3^{+0.05})



25.7	24.9	20.65	19.5	52559-4079	40
23.7	22.9	18.65	17.5		-3679 36
22.2	21.4	17.15	16.0		-3379 33
21.7	20.9	16.65	15.5		-3279 32
20.7	19.9	15.65	14.5		-3079 30
19.7	18.9	14.65	13.5		-2879 28
19.2	18.4	14.15	13.0		-2779 27
18.7	17.9	13.65	12.5		-2679 26
18.2	17.4	13.15	12.0		-2579 25
17.7	16.9	12.65	11.5		-2479 24
17.2	16.4	12.15	11.0		-2379 23
16.7	15.9	11.65	10.5		-2279 22
16.2	15.4	11.15	10.0		-2179 21
15.7	14.9	10.65	9.5		-2079 20
14.7	13.9	9.65	8.5		-1879 18
14.2	13.4	9.15	8.0		-1779 17
13.7	12.9	8.65	7.5		-1679 16
13.2	12.4	8.15	7.0		-1579 15
12.7	11.9	7.65	6.5		-1479 14
12.2	11.4	7.15	6.0		-1379 13
11.7	10.9	6.65	5.5		-1279 12
10.7	9.9	5.65	4.5		-1079 10
10.2	9.4	5.15	4.0		-0979 9
9.7	8.9	4.65	3.5		-0879 8
8.7	7.9	3.65	2.5	52559-0679	6
D	C	B	(A)	CONNECTOR SERIES No.	極数 CKT.

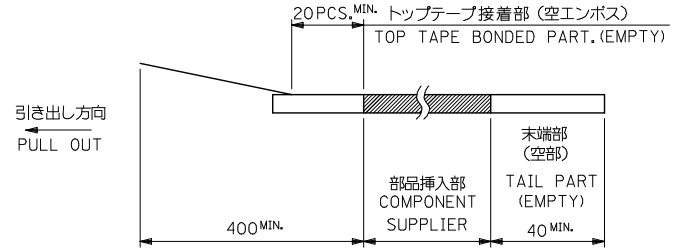
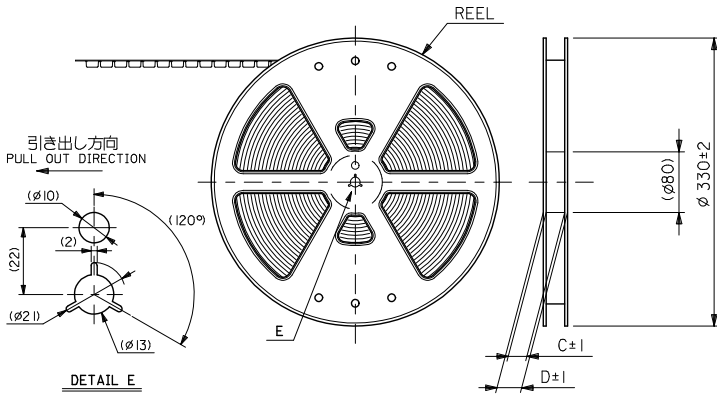
ORDER No. : 52559-**52/-**53/-**54/-**56

REVISED EC NO. J2016-0020 DRAWN: UHASEGAWA 2015/07/06 CHIKO APPR: YNOGAWA 2015/07/10	GENERAL TOLERANCES (UNLESS SPECIFIED)		DIMENSION STYLE MM ONLY		SCALE ---	DESIGN UNITS METRIC	THIRD ANGLE PROJECTION
	0.25 UNDER	UNDER	±0.03	DRAWN BY MNABE I	DATE '04/07/13	TITLE 0.5 FPC CONN ASSY ZIF. -LEAD FREE- molex DOCUMENT NO. SD-52559-048 SHEET NO. 2 OF 2	
	0.25 OVER	0.5 UNDER	±0.05	CHECKED BY KTOJO	DATE '04/07/13		
	0.5 OVER	1.0 UNDER	±0.1	APPROVED BY NUKITA	DATE '04/07/13		
	1.0 OVER	3.0 UNDER	±0.25	MATERIAL NO.			
3.0 OVER		±0.3	SEE CHART				
ANGULAR ±3°			DRAFT WHERE APPLICABLE MUST REMAIN WITHIN DIMENSIONS		THIS DRAWING CONTAINS INFORMATION THAT IS PROPRIETARY TO MOLEX INCORPORATED AND SHOULD NOT BE USED WITHOUT WRITTEN PERMISSION		

9 8 7 6 5 4 3 2 1

注記 NOTES

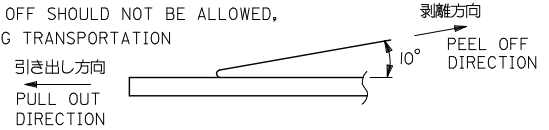
- 製品番号 52559-**-**79 の梱包状態はアクチュエータがロックした状態とする。
詳細寸法については 製品単体図面を参照下さい。
IN THE PACKAGE,ACTUATOR OF PART NO.52559-**-**79 SHOULD BE LOCKED
RE DETAILED DIMENSIONS,SEE ASSY DRAWING
- 梱包数量：1000個/リール
NUMBER OF CONNECTORS:1000PCS/REEL
- リードテープ長さ LEAD TAPE LENGTH



- 材料
キャリアテープ:ポリプロピレン (PP)
トップテープ:PET, PE, PEF
リール:ポリスチレン (PS) <リサイクル材を含む>

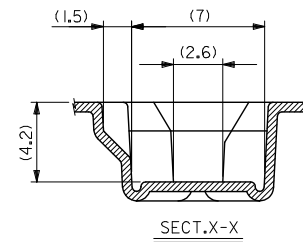
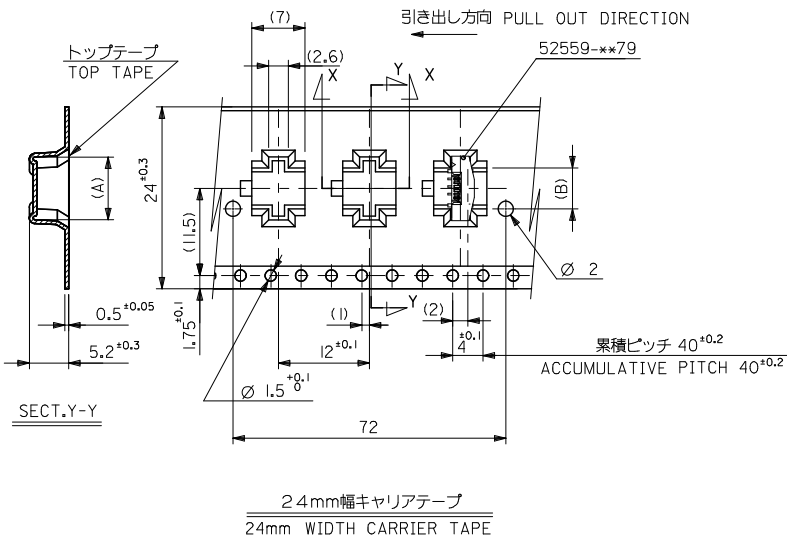
MATERIAL CARRIER TAPE:POLYPROPYLENE
TOP TAPE:PET,PE,PEF
REEL:POLYSTYRENE (PS)
<RECYCLE MATERIAL CONTAINED>
- 本製品は 52559-**-**53 のエンボステープ違い品である。
THIS PRODUCT IS EMBOSSED TAPE DIFFERENCE ARTICLE OF 52559-**-**53.
- 本製品は乾燥剤入り、ハイバリア梱包仕様である。
THIS PRODUCT IS HIGH BARRIER PACKAGE WITH DESICCANT.

- トップテープの剥離強度：(剥離方向は下図参照)
0.1N~1.3N {10gf~130gf} 尚、本規格値は、出荷時に適用。
(但し、輸送時に剥離が発生しない事。)
PEELING OFF FORCE OF TOP TAPE
0.1N~1.3N{10gf~130gf}(PEELING DIRECTION AS SHOWN IN FOLLOWING FIG.)
THIS REQUIREMENT SHOULD BE APPLIED AT SHIPMENT
PEEL OFF SHOULD NOT BE ALLOWED,
DURING TRANSPORTATION



REVISED EC NO: J2016-0020 DRAWN: YUHASSEGAWA 2015/07/06 CHKD: CHIKO APPR: YUOGAWA 2015/07/10	GENERAL TOLERANCES (UNLESS SPECIFIED)		DIMENSION STYLE MM ONLY		SCALE ---	DESIGN UNITS METRIC	THIRD ANGLE PROJECTION
	0.25 UNDER	UNDER	±0.03	DRAWN BY	DATE	TITLE	
	0.25 OVER	0.5 UNDER	±0.05	MNABEI	'04/07/13	0.5 FPC CONN ASSY ZIF FOR SMT EMBSTP PKG -LEAD FREE-	
	0.5 OVER	1.0 UNDER	±0.1	CHECKED BY	DATE	molex	
	1.0 OVER	10 UNDER	±0.2	KTOJO	'04/07/13	DOCUMENT NO.	
	10 OVER	30 UNDER	±0.25	APPROVED BY	DATE	SD-52559-049	
30 OVER		±0.3	NUKITA	'04/07/13	SHEET NO.		
ANGULAR	±3 °		MATERIAL NO.		1 OF 4		
DRAFT WHERE APPLICABLE MUST REMAIN WITHIN DIMENSIONS				SIZE A3	THIS DRAWING CONTAINS INFORMATION THAT IS PROPRIETARY TO MOLEX INCORPORATED AND SHOULD NOT BE USED WITHOUT WRITTEN PERMISSION		

10 9 8 7 6 5 4 3 2 1

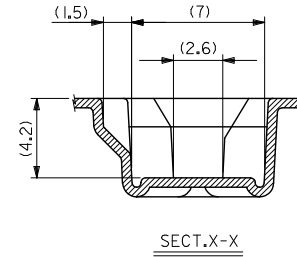
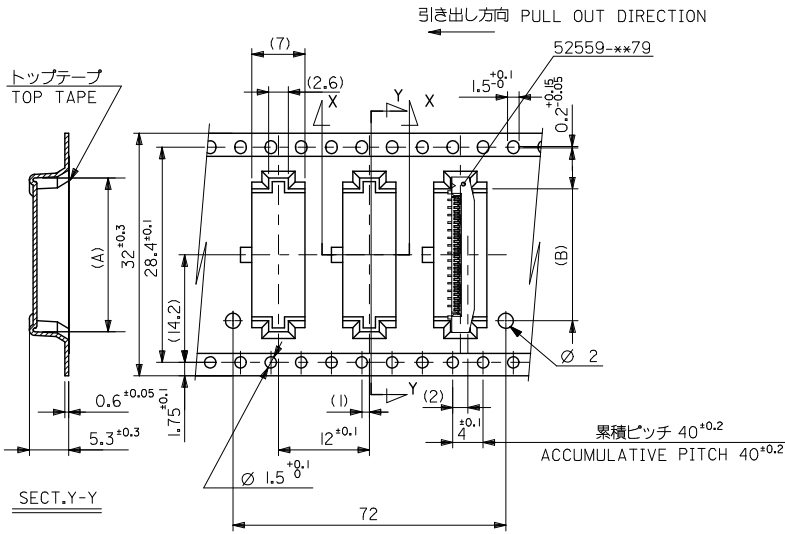


24	29.4	25.4	14.4	17.3	52559-2452	24
			13.9	16.8	52559-2352	23
			12.9	15.8	52559-2152	21
			12.4	15.3	52559-2052	20
			10.9	13.8	52559-1752	17
			10.4	13.3	52559-1652	16
			9.9	12.8	52559-1552	15
			9.4	12.3	52559-1452	14
			8.4	11.3	52559-1252	12
			7.4	10.3	52559-1052	10
6.9	9.8	52559-0952	9			
5.4	8.3	52559-0652	6			

REVISED EC NO: J2016-0020 DRAWN: YUHASSEGAWA 2015/07/06 CHIKO: APPR: YNOGAWA 2015/07/10 K	GENERAL TOLERANCES (UNLESS SPECIFIED)			DIMENSION STYLE		SCALE	DESIGN UNITS	THIRD ANGLE PROJECTION
	0.25 UNDER	UNDER	±0.03	MM ONLY		---	METRIC	☉
	0.25 OVER	0.5 UNDER	±0.05	DRAWN BY		DATE	TITLE	
	0.5 OVER	1.0 UNDER	±0.1	MNABEI		'04/07/13	0.5 FPC CONN ASSY ZIF FOR SMT EMBSTP PKG -LEAD FREE-	
	1.0 OVER	10 UNDER	±0.2	CHECKED BY		DATE	molex	
10 OVER	30 UNDER	±0.25	KTOJO		'04/07/13	SEE CHART		
30 OVER		±0.3	APPROVED BY		DATE	DOCUMENT NO.		
ANGULAR ±3°		±0.3	NUKITA		'04/07/13	SD-52559-049		
DRAFT WHERE APPLICABLE MUST REMAIN WITHIN DIMENSIONS			MATERIAL NO.		SHEET NO.		CIRCUIT NO.	
			SIZE		2 OF 4			
			A3		THIS DRAWING CONTAINS INFORMATION THAT IS PROPRIETARY TO MOLEX INCORPORATED AND SHOULD NOT BE USED WITHOUT WRITTEN PERMISSION			

9 8 7 6 5 4 3 2 1

10 9 8 7 6 5 4 3 2 1

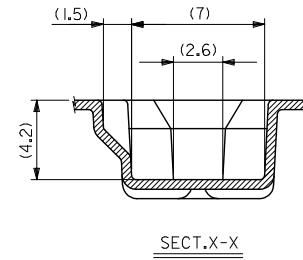
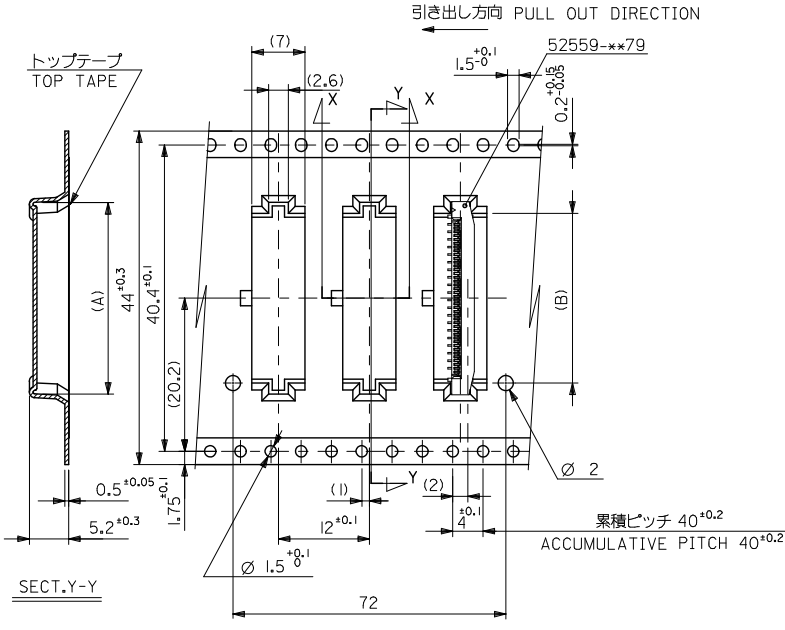


32	37.4	33.4	18.4	21.3	52559-3252	32
			17.4	20.3	52559-3052	30
			16.4	19.3	52559-2852	28
			15.9	18.8	52559-2752	27
			15.4	18.3	52559-2652	26
キャリアテープ幅 CARRIER TAPE WIDTH	D	C	(B)	(A)	MATERIAL NO.	CIRCUIT NO.

REVISED EC NO: J2016-0020 DRAWN: YUHASSEGAWA 2015/07/06 CHKD: APPR: YNOGAWA 2015/07/10 REV DESCRIPTION	GENERAL TOLERANCES (UNLESS SPECIFIED)			DIMENSION STYLE		SCALE	DESIGN UNITS	THIRD ANGLE PROJECTION
	0.25 UNDER	UNDER	±0.03	MM ONLY		---	METRIC	☉
	0.25 OVER	0.5 UNDER	±0.05	DRAWN BY		DATE	TITLE	
	0.5 OVER	1.0 UNDER	±0.1	MNABEI		'04/07/13	0.5 FPC CONN ASSY ZIF FOR SMT EMBSTP PKG -LEAD FREE-	
	1.0 OVER	10 UNDER	±0.2	CHECKED BY		DATE	molex	
	10 OVER	30 UNDER	±0.25	KTOJO		'04/07/13	SEE CHART	
30 OVER		±0.3	APPROVED BY		DATE	DOCUMENT NO.	SHEET NO.	
ANGULAR	±3 °		NUKITA		'04/07/13	SD-52559-049	3 OF 4	
DRAFT WHERE APPLICABLE MUST REMAIN WITHIN DIMENSIONS			MATERIAL NO.					
			SIZE		THIS DRAWING CONTAINS INFORMATION THAT IS PROPRIETARY TO MOLEX INCORPORATED AND SHOULD NOT BE USED WITHOUT WRITTEN PERMISSION			
			A3					

9 8 7 6 5 4 3 2 1

10 9 8 7 6 5 4 3 2 1



4.4mm幅キャリアテープ
44mm WIDTH CARRIER TAPE

44	49.4	45.4	22.4	25.3	52559-4052	40
キャリアテープ幅 CARRIER TAPE WIDTH	D	C	(B)	(A)	MATERIAL NO.	CIRCUIT NO.
DIMENSION STYLE MM ONLY		SCALE ---	DESIGN UNITS METRIC		THIRD ANGLE PROJECTION	
DRAWN BY MNABEI		DATE '04/07/13		TITLE 0.5 FPC CONN ASSY ZIF FOR SMT EMBSTP PKG -LEAD FREE-		
CHECKED BY KTOJO		DATE '04/07/13		molex		
APPROVED BY NUKITA		DATE '04/07/13				
MATERIAL NO.		DOCUMENT NO. SD-52559-049		SHEET NO. 4 OF 4		
SEE CHART		THIS DRAWING CONTAINS INFORMATION THAT IS PROPRIETARY TO MOLEX INCORPORATED AND SHOULD NOT BE USED WITHOUT WRITTEN PERMISSION				

REVISED K	EC NO. J2016-0020	DRWN: YUHASSEGAWA	2015/07/06
	CHKD:	APPR: YNOGAWA	2015/07/10
	DESCRIPTION		
	0.25 UNDER	UNDER	±0.03
	0.25 OVER	0.5 UNDER	±0.05
	0.5 OVER	1.0 UNDER	±0.1
1.0 OVER	10 UNDER	±0.2	
10 OVER	30 UNDER	±0.25	
30 OVER		±0.3	
ANGULAR	±3 °		
DRAFT WHERE APPLICABLE MUST REMAIN WITHIN DIMENSIONS			

9 8 7 6 5 4 3 2 1