

## Excellent Integrated System Limited

Stocking Distributor

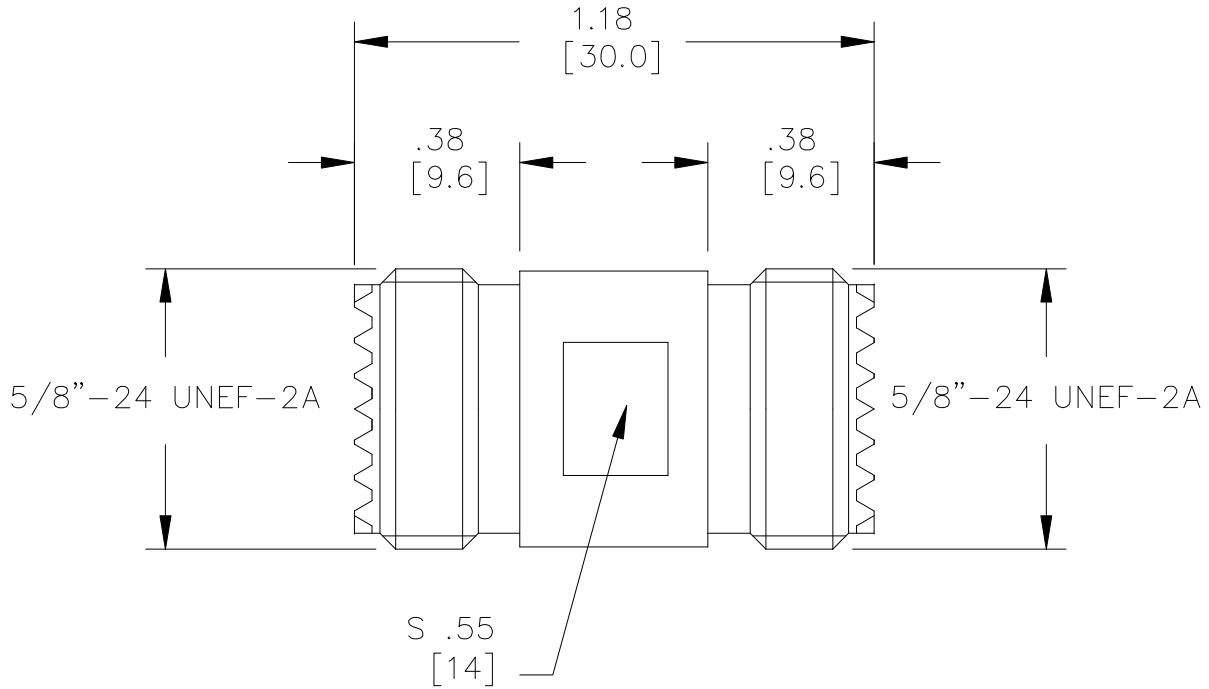
Click to view price, real time Inventory, Delivery & Lifecycle Information:

[Pomona Electronics](#)  
[73058](#)

For any questions, you can email us directly:

[sales@integrated-circuit.com](mailto:sales@integrated-circuit.com)

**Model 73058**  
**UHF Jack to Jack Adapter**



*Model 73058*  
*UHF Jack to Jack Adapter*

**Materials**

Center Conductor: Phosphor Bronze, Gold Plated  
 Connector Body: Brass, Nickel Plated  
 Insulators: PTFE

**Specifications**

Frequency Range: DC – 300MHz  
 Contact Resistance:  
     Center Conductor: ≤1.0 mΩ  
     Outer Conductor: ≤0.2 mΩ  
 Insulation Resistance: ≥ 300 MΩ  
 Dielectric Withstand Voltage: 750V  
*For CE compliance, do not hold in hand when voltages exceed 33 Vrms / 70 Vdc.*  
 Number of Insertions: 500 cycles minimum

**Ordering Information**

Model: **73058**

**Features**

- DC – 300MHz bandwidth.
- Connectors are precision machined.

**USA:** Sales: 800-490-2361  
 Technical Support: [technicalsupport@pomonatest.com](mailto:technicalsupport@pomonatest.com)  
 Fax: 425-446-5844  
**Europe:** 31-(0) 40 2675 150 **International:** 425-446-5500  
**Where to Buy:** [www.pomonaelectronics.com](http://www.pomonaelectronics.com)

All dimensions are in inches. Tolerances (except noted): .xx = ±.02" (.51 mm), .xxx = ± .005" (.127 mm). All specifications are to the latest revisions. Specifications are subject to change without notice. Registered trademarks are the property of their respective companies.