

## Excellent Integrated System Limited

Stocking Distributor

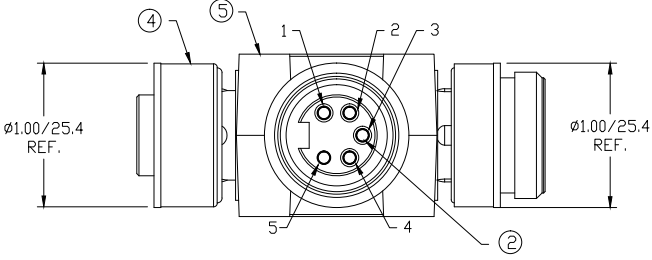
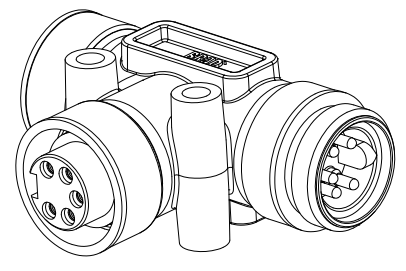
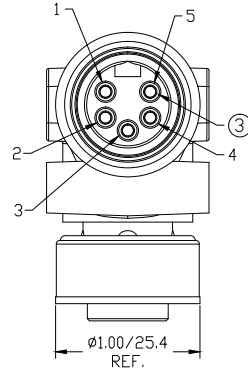
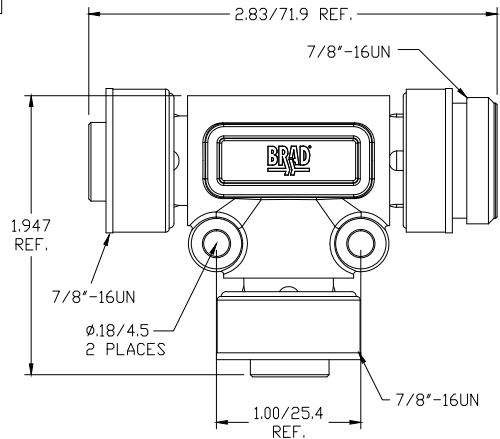
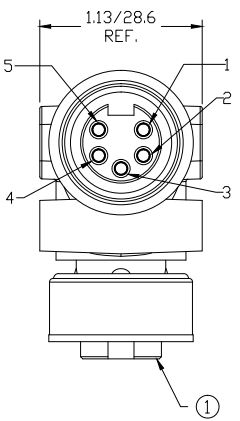
Click to view price, real time Inventory, Delivery & Lifecycle Information:

[Molex Connector Corporation](#)  
[1300350057](#)

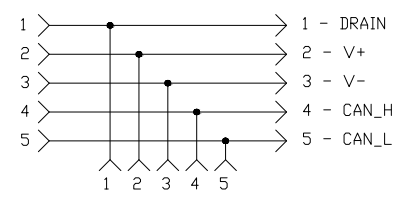
For any questions, you can email us directly:

[sales@integrated-circuit.com](mailto:sales@integrated-circuit.com)

MATERIAL NUMBER	OLD PART NUMBER
130035-0057	DN3020



SCHEMATIC



VOLTAGE RATING	600 VAC/VDC
AMPERAGE RATING	8 AMPS
PROTECTION	IP67
OPERATING TEMPERATURE	-20°C TO 80°C
UL CERTIFICATIONS	UL RECDGNIZED, FILE NO. E152210
CSA CERTIFICATIONS	CSA CERTIFIED, FILE NO. LR6837

ITEM	COMPONENT	MATERIAL	FINISH
1	INSERT	TPE	GRAY
2	CONTACT SOCKET	COPPER ALLOY	GOLD OVER NICKEL
3	CONTACT PIN	COPPER ALLOY	GOLD OVER NICKEL
4	COUPLING NUT	ZINC DIE CAST	BLACK E-COATED
5	OVERMOLD	TPE	GRAY

RLSD DRAWING  
 EC NO: JPC2013/2016 6/24/13  
 DRWN: BARDEN  
 CHKD: TWOLDEGE  
 APPR: BWOODMAN

QUALITY SYMBOL	GENERAL TOLERANCES (UNLESS SPECIFIED)
▽=0	4 PLACES ±-- ±--
▽=0	3 PLACES ±-- ±.005
	2 PLACES ±.13 ±.010
	1 PLACE ±.25 ±.020
	ANGULAR ±1/2°
	DRAFT WHERE APPLICABLE MUST REMAIN WITHIN DIMENSIONS

DRAWN BY	DATE	TITLE	THIRD ANGLE PROJECTION
BW	2009/03/04	MINI-CHANGE 5-POLE TEE DEVICENET	
CHECKED BY	DATE		
JM	2009/03/04		
APPROVED BY	DATE		
MATERIAL NO.	DOCUMENT NO.	SHEET NO.	
1300350057	SD-130035-002	1 OF 1	