

## Excellent Integrated System Limited

Stocking Distributor

Click to view price, real time Inventory, Delivery & Lifecycle Information:

[Molex Connector Corporation](#)  
[1300060430](#)

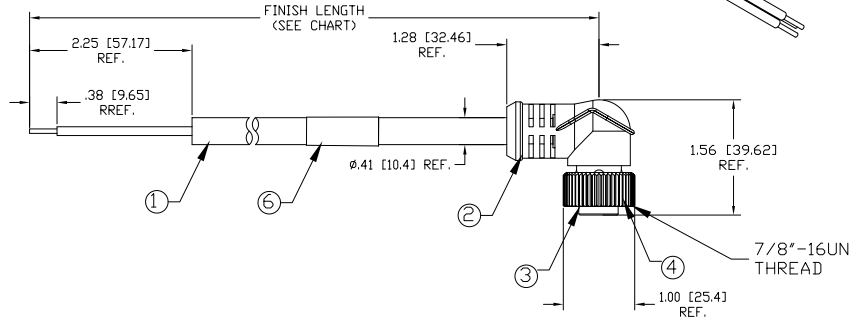
For any questions, you can email us directly:

[sales@integrated-circuit.com](mailto:sales@integrated-circuit.com)

PART NUMBER	ENGINEERING NUMBER	FINISH LENGTH
1300060422	103001A01F030	3.00' +1.75' -0 [0.9M +44.5 -0]
1300060426	103001A01F060	6.00' +2.19' -0 [1.8M +55.6 -0]
1300060430	103001A01F120	12.00' +3.50' -0 [3.7M +88.9 -0]
1300060433	103001A01F150	15.00' +6.50' -0 [4.6M +165.1 -0]
1300060436	103001A01F200	20.00' +6.50' -0 [6.1M +165.1 -0]
1300060440	103001A01F250	25.00' +12.50' -0 [7.6M +317.5 -0]
1300060442	103001A01F300	30.00' +12.50' -0 [9.1M +317.5 -0]

NOTE

- 1) MATERIAL: SEE TABLE
- 2) FINISHES: SEE TABLE
- 3) WRAP LABEL IS MARKED WITH P/N, DATE CODE, VOLTAGE & AMPERAGE
- 4) MATES WITH: MINI CHANGE, 3 POLE RECEPTACLE
- 5) ELECTRICAL DATA:  
 INLINE CORDSET  
 FEMALE A-SIZE WITH FLYING LEADS  
 16AWG UNSHIELDED  
 POLES: 3  
 MAX. VOLTAGE: 600V  
 MAX. CURRENT 13A  
 PROTECTION IP67  
 TEMPERATURE RANGE: -20°C TO 105°C
- 6) PACKAGING:  
 CABLE ASSEMBLIES ARE BAGGED SEPERATELY  
 IN POLY BAGS WITH BAR CODE LABEL ATTACHED  
 TO OUTSIDE OF BAG.
- 7) ASSEMBLY IS ROHS COMPLIANT.
- 8) CERTIFICATION  
 UL RECOGNIZED, FILE NO. E152210  
 CSA CERTIFIED, FILE NO. LR6837



P1

1	GREEN/YELLOW-GND
2	BLACK
3	WHITE

FEMALE FACE VIEW

WIRING DIAGRAM

ITEM	QTY.	DESCRIPTION	MATERIAL	FINISH
6	1	LABEL	PLASTIC FILM	BLACK/YELLOW
5	3	CONTACT SOCKET	COPPER ALLOY	GOLD PLATED
4	1	INSERT	PVC	YELLOW
3	1	COUPLING NUT	ZINC DIE CAST	BLACK E-COATED
2	1	OVERMOLD	PVC	YELLOW
1	1	CABLE, 16AWG-3 TYPE ST00W	PVC	YELLOW

RELEASE EC NO: WMA2010-0897 DRAWN: BWOODMAN 12/22/09 CHECKED: JFMURPHY APPROVED: JFMURPHY 2010/01/05	QUALITY SYMBOL ▽=0 ▽=0	GENERAL TOLERANCES (UNLESS SPECIFIED)		DIMENSION STYLE IN/MM		SCALE 1:1	DESIGN UNITS INCH	THIRD ANGLE PROJECTION	
		4 PLACES	±---	±---	DRAWN BY TWOLDEGE	DATE 2009/07/29	TITLE MINI CHANGE ASSEMBLY 3-POLE FEMALE 90D 16/3AWG PVC		
		3 PLACES	±.005	±.005	CHECKED BY BWOODMAN	DATE 2009/07/29			
		2 PLACES	±.013	±.010	APPROVED BY JFMURPHY	DATE 2010/01/05			
1 PLACE	±.025	±.020	ANGULAR ±1/2°		MATERIAL NO. SEE CHART		DOCUMENT NO. SD-130006-015	SHEET NO. 1 OF 1	
DRAFT WHERE APPLICABLE MUST REMAIN WITHIN DIMENSIONS				SIZE C		THIS DRAWING CONTAINS INFORMATION THAT IS PROPRIETARY TO MOLEX INCORPORATED AND SHOULD NOT BE USED WITHOUT WRITTEN PERMISSION			