

Excellent Integrated System Limited

Stocking Distributor

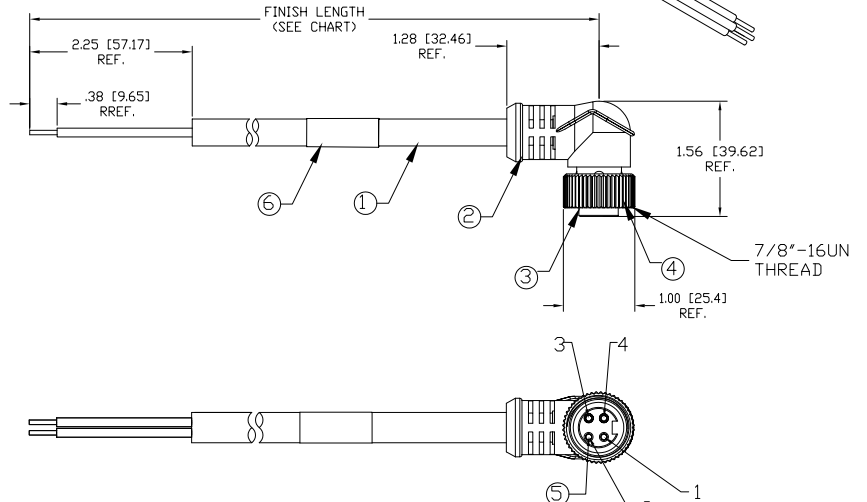
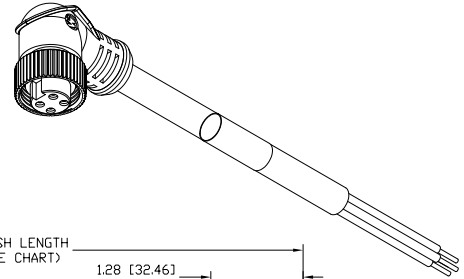
Click to view price, real time Inventory, Delivery & Lifecycle Information:

[Molex Connector Corporation](#)
[1300060902](#)

For any questions, you can email us directly:

sales@integrated-circuit.com

PART NUMBER	ENGINEERING NUMBER	FINISH LENGTH
1300060898	104001A01F030	3.00' +1.75' -0 [9.1M +44.5 -0]
1300060902	104001A01F060	6.00' +3.50' -0 [1.8M +88.9 -0]
1300060905	104001A01F120	12.00' +6.50' -0 [3.7M +165.1 -0]
1300060912	104001A01F200	20.00' +6.50' -0 [6.1M +165.1 -0]



P1

1	BLACK
2	WHITE
3	RED
4	GREEN-GRD

FEMALE FACE VIEW

NOTE

- 1) MATERIAL: SEE TABLE
- 2) FINISHES: SEE TABLE
- 3) WRAP LABEL IS MARKED WITH P/N, DATE CODE, VOLTAGE & AMPERAGE
- 4) MATES WITH: MINI CHANGE, 4 POLE RECEPTACLE
- 5) ELECTRICAL DATA:
 INLINE CORDSET
 FEMALE A-SIZE WITH FLYING LEADS
 16AWG UNSHIELDED
 POLES: 4
 MAX. VOLTAGE: 600V
 MAX. CURRENT 10A
 PROTECTION IP67
 TEMPERATURE RANGE: -20°C TO 105°C
- 6) PACKAGING:
 CABLE ASSEMBLIES ARE BAGGED SEPERATELY
 IN POLY BAGS WITH BAR CODE LABEL ATTACHED
 TO OUTSIDE OF BAG.
- 7) ASSEMBLY IS RoHS COMPLIANT.
- 8) CERTIFICATION
 UL RECOGNIZED, FILE NO. E152210
 CSA CERTIFIED, FILE NO. LR6837

ITEM	QTY.	DESCRIPTION	MATERIAL	FINISH
6	1	LABEL	PLASTIC FILM	BLACK/YELLOW
5	4	CONTACT SOCKET	COPPER ALLOY	GOLD PLATED
4	1	INSERT	PVC	YELLOW
3	1	COUPLING NUT	ZINC DIE CAST	BLACKE-COATED
2	1	OVERMOLD	PVC	YELLOW
1	1	CABLE, 16AWG-4 TYPE STOW	PVC	YELLOW

WIRING DIAGRAM

RELEASE EC NO: WMA2010-0070 DRAWN: TWOLDEGE 7/29/09 CHECKED: BWOODMAN APPROV: JHURPHY 2009/07/10 DESCRIPTION:	QUALITY SYMBOL ▽=0 ▽=0	GENERAL TOLERANCES (UNLESS SPECIFIED)		DIMENSION STYLE IN/MM		SCALE 1:1	DESIGN UNITS INCH	THIRD ANGLE PROJECTION	
		4 PLACES	±---	±---	DRAWN BY	DATE	TITLE MINI CHANGE ASSEMBLY 4-POLE FEMALE 90D 16/4AWG PVC MOLEX INCORPORATED		
		3 PLACES	±.005	±.005	TWOLDEGE	2009/07/29			
		2 PLACES	±.013	±.010	BWOODMAN	2009/07/29			
1 PLACE	±.025	±.020							
ANGULAR ±1/2°		DRAFT WHERE APPLICABLE MUST REMAIN WITHIN DIMENSIONS		MATERIAL NO. SEE CHART		DOCUMENT NO. SD-130006-016		SHEET NO. 1 OF 1	

THIS DRAWING CONTAINS INFORMATION THAT IS PROPRIETARY TO MOLEX INCORPORATED AND SHOULD NOT BE USED WITHOUT WRITTEN PERMISSION