

Excellent Integrated System Limited

Stocking Distributor

Click to view price, real time Inventory, Delivery & Lifecycle Information:

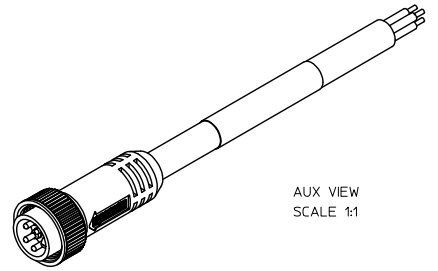
[Molex Connector Corporation](#)
[1300060991](#)

For any questions, you can email us directly:

sales@integrated-circuit.com

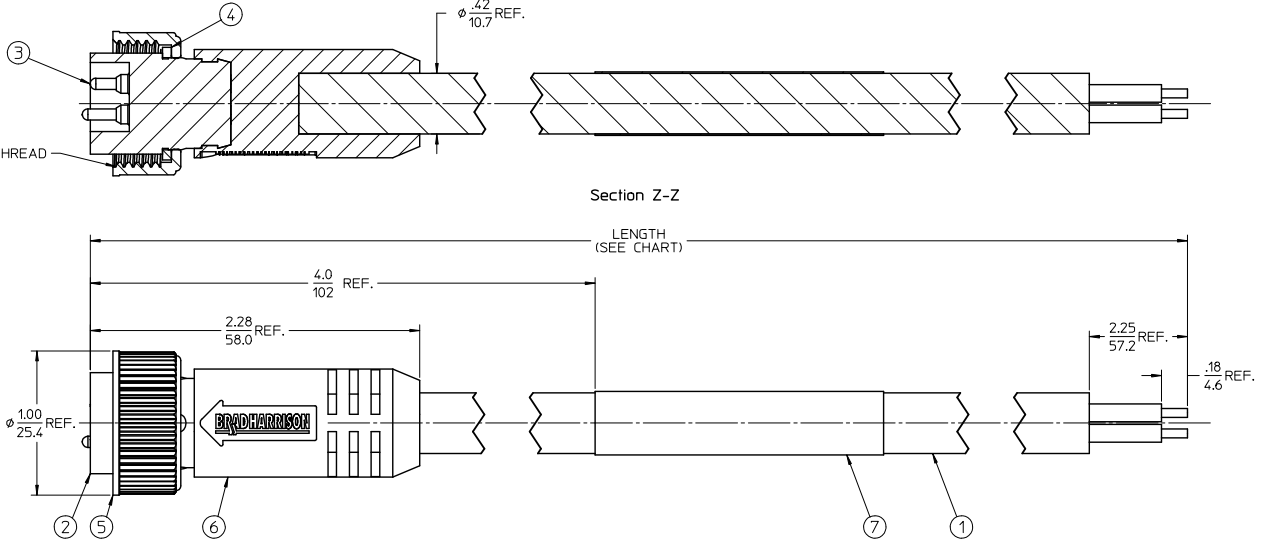
PART NUMBER	ENGINEERING NO.	LENGTH
1300060991	104002A01F030	3' +1.75 - 0 [0.9M +44.5 - 0]
1300060995	104002A01F060	6' +2.19 - 0 [1.8M +55.6 - 0]
1300061002	104002A01F120	12' +3.50 - 0 [3.7M +88.9 - 0]
1300061009	104002A01F200	20' +6.50 - 0 [6.1M +165.1 - 0]

- NOTES:
1. MATERIAL: SEE TABLE
 2. FINISHES: SEE TABLE
 3. CABLE ASSEMBLIES ARE BAGGED SEPARATELY IN POLY BAGS WITH BARCODE LABEL ATTACHED TO OUTSIDE OF BAG
 4. WRAP LABEL IS MARKED WITH P/N, DATE CODE VOLTAGE & AMPERAGE
 5. MATES WITH: MINI CHANGE, A-SIZE 4 POLE RECEPTACLE
 6. ELECTRICAL SPECIFICATIONS:
VOLTAGE RATING: 600V
CURRENT RATING: 10 AMPS
 7. ASSEMBLY IS RoHS COMPLIANT



P1	
1	BLACK
2	WHITE
3	RED
4	GREEN/YELLOW

WIRING DIAGRAM



ITEM	QTY.	DESCRIPTION	MATERIAL	FINISH
7	1	LABEL	PLASTIC FILM	BLACK/YELLOW
6	1	OVERMOLD, STRAIGHT	PVC	YELLOW
5	1	COUPLING NUT, FEMALE	ZINC DIE CAST	BLACK
4	1	FRICTION RING	NYLON	WHITE
3	4	CONTACT PIN, 16 AWG	BRASS	GOLD PLATED
2	1	INSERT, MALE, 4 POLE	PVC	YELLOW
1	1	CABLE, STOOV/ST #16/4	PVC JACKET	GRAY

PURCHASING DRAWING EC NO: WNA2009-0870 DRAWN: L. HARTMANN 2009/06/09 CHKD: R. STONE APPR: J. MURPHY 2009/06/17	QUALITY SYMBOLS ▽=0 ∇=0	GENERAL TOLERANCES (UNLESS SPECIFIED)	DIMENSION STYLE IN/MM	SCALE 2:1	DESIGN UNITS INCH	THIRD ANGLE PROJECTION
		4 PLACES ± --- ± ---	DRAWN BY L. HARTMANN	DATE 2009/06/05	TITLE MINI-CHANGE PORTABLE 4 POLE MALE STRAIGHT #16/4 YELLOW STOOV/ST	
		3 PLACES ± --- ± .005	CHECKED BY R. STONE	DATE 2009/06/08	MOLEX INCORPORATED	
		2 PLACES ± --- ± .010	APPROVED BY J. MURPHY	DATE 2009/06/08	DOCUMENT NO. SD-130006-004	
	1 PLACE ± --- ± .020	ANGULAR ± 1/2°	MATERIAL NO. SEE CHART	DOCUMENT NO. SD-130006-004	SHEET NO. 1 OF 1	
DRAFT WHERE APPLICABLE MUST REMAIN WITHIN DIMENSIONS		THIS DRAWING CONTAINS INFORMATION THAT IS PROPRIETARY TO MOLEX INCORPORATED AND SHOULD NOT BE USED WITHOUT WRITTEN PERMISSION				