

Excellent Integrated System Limited

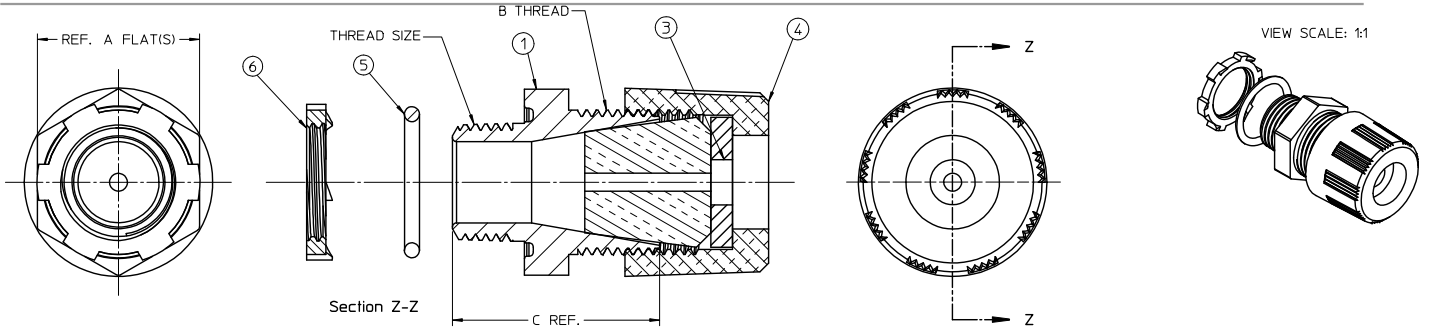
Stocking Distributor

Click to view price, real time Inventory, Delivery & Lifecycle Information:

[Molex Connector Corporation](#)
[1300980049](#)

For any questions, you can email us directly:

sales@integrated-circuit.com



MATERIAL NO.	OLD PART NO.	THREAD SIZE	CABLE DIA. RANGE	A	B	C	ITEM 1 COLOR	ITEM 2 MATERIAL	ITEM 2 COLOR	ITEM 3 MATERIAL	ITEM 4 MATERIAL	ITEM 4 COLOR
1300980038	5518W	1/2" NPT	.062-.125 / 1.57-3.18	1.13 / 28.7	1"-14	1.44 / 36.6	GRAY	NITRILE	BLACK	HDPE	NYLON	GRAY
1300980043	5520W		.125-.187 / 3.18-4.75						YELLOW			
1300980049	5522W		.187-.250 / 4.75-6.35						ORANGE			
1300980056	5524W		.250-.312 / 6.35-7.92						BLACK			
1300980064	5526W		.312-.375 / 7.92-9.53						GRAY			
1300980071	5528W		.375-.437 / 9.53-11.10						GREEN			
1300980078	5530W		.437-.500 / 11.10-12.70						ORANGE			
1300980086	5532W		.500-.562 / 12.70-14.27						BLACK			
1300980215	5620W	3/4" NPT	.187-.250 / 4.75-6.35	1.38 / 35.1	1 1/4-14	1.69 / 42.9	GRAY	NITRILE	ORANGE	HDPE	NYLON	GRAY
1300980221	5622W		.250-.375 / 6.35-9.53						GRAY			
1300980227	5624W		.375-.437 / 9.53-11.10						GREEN			
1300980099	5536W		.437-.562 / 11.10-14.27						BLACK			
1300980107	5538W		.500-.625 / 12.70-15.87						GRAY			
1300980114	5540W		.625-.687 / 14.27-17.45						GREEN			
1300980121	5542W		.625-.750 / 15.87-19.05						ORANGE			

NOTES:

1. MATERIAL: SEE TABLE
2. FINISHES: SEE TABLE
3. NEMA RATING: NEMA 6P
4. RoHS COMPLIANT: YES

6	1	LOCKNUT	STEEL	ZINC PLATED
5	1	O-RING FOR 3/4" BODY	BUNA-N	BLACK
		O-RING FOR 1/2" BODY	NEOPRENE	BLACK
4	1	COMPRESSION NUT	SEE CHART	SEE CHART
3	1	COMPRESSION RING	SEE CHART	NATURAL (WHITE)
2	1	GROMMET	SEE CHART	SEE CHART
1	1	STRAIGHT MALE BODY	NYLON	SEE CHART
ITEM	QTY.	DESCRIPTION	MATERIAL	FINISH

<p>RELEASED</p> <p>EC NO: WNA2009-0534</p> <p>2009/03/11</p> <p>DRW: R. STONE</p> <p>CHK: B. WOODMAN</p> <p>APPR: J. MURPHY</p> <p>2009/04/17</p> <p>DESCRIPTION</p> <p>REV</p>	QUALITY SYMBOLS	GENERAL TOLERANCES (UNLESS SPECIFIED)	DIMENSION STYLE	SCALE	DESIGN UNITS	THIRD ANGLE PROJECTION																																																																																									
	<p>▽=0</p> <p>▽=0</p>	<table border="1"> <thead> <tr> <th></th> <th>mm</th> <th>INCH</th> </tr> </thead> <tbody> <tr> <td>4 PLACES</td> <td>± .005</td> <td>± .0002</td> </tr> <tr> <td>3 PLACES</td> <td>± .005</td> <td>± .0002</td> </tr> <tr> <td>2 PLACES</td> <td>± .010</td> <td>± .0004</td> </tr> <tr> <td>1 PLACE</td> <td>± 0.3</td> <td>± .012</td> </tr> </tbody> </table>		mm	INCH	4 PLACES	± .005	± .0002	3 PLACES	± .005	± .0002	2 PLACES	± .010	± .0004	1 PLACE	± 0.3	± .012	<table border="1"> <thead> <tr> <th>mm</th> <th>INCH</th> </tr> </thead> <tbody> <tr> <td>± .010</td> <td>± .0004</td> </tr> <tr> <td>± .015</td> <td>± .0006</td> </tr> <tr> <td>± .025</td> <td>± .0010</td> </tr> <tr> <td>± .050</td> <td>± .0020</td> </tr> <tr> <td>± .100</td> <td>± .0040</td> </tr> <tr> <td>± .150</td> <td>± .0060</td> </tr> <tr> <td>± .250</td> <td>± .0100</td> </tr> <tr> <td>± .500</td> <td>± .0200</td> </tr> <tr> <td>± 1.000</td> <td>± .0400</td> </tr> <tr> <td>± 1.500</td> <td>± .0600</td> </tr> <tr> <td>± 2.000</td> <td>± .0800</td> </tr> <tr> <td>± 3.000</td> <td>± .1200</td> </tr> <tr> <td>± 4.000</td> <td>± .1600</td> </tr> <tr> <td>± 6.000</td> <td>± .2400</td> </tr> <tr> <td>± 8.000</td> <td>± .3200</td> </tr> <tr> <td>± 10.000</td> <td>± .4000</td> </tr> <tr> <td>± 15.000</td> <td>± .6000</td> </tr> <tr> <td>± 20.000</td> <td>± .8000</td> </tr> <tr> <td>± 30.000</td> <td>± 1.2000</td> </tr> <tr> <td>± 40.000</td> <td>± 1.6000</td> </tr> <tr> <td>± 50.000</td> <td>± 2.0000</td> </tr> <tr> <td>± 60.000</td> <td>± 2.4000</td> </tr> <tr> <td>± 80.000</td> <td>± 3.2000</td> </tr> <tr> <td>± 100.000</td> <td>± 4.0000</td> </tr> </tbody> </table>	mm	INCH	± .010	± .0004	± .015	± .0006	± .025	± .0010	± .050	± .0020	± .100	± .0040	± .150	± .0060	± .250	± .0100	± .500	± .0200	± 1.000	± .0400	± 1.500	± .0600	± 2.000	± .0800	± 3.000	± .1200	± 4.000	± .1600	± 6.000	± .2400	± 8.000	± .3200	± 10.000	± .4000	± 15.000	± .6000	± 20.000	± .8000	± 30.000	± 1.2000	± 40.000	± 1.6000	± 50.000	± 2.0000	± 60.000	± 2.4000	± 80.000	± 3.2000	± 100.000	± 4.0000	<table border="1"> <thead> <tr> <th>DRAWN BY</th> <th>DATE</th> </tr> </thead> <tbody> <tr> <td>R. STONE</td> <td>2009/03/05</td> </tr> <tr> <th>CHECKED BY</th> <th>DATE</th> </tr> <tr> <td>B. WOODMAN</td> <td>2009/03/07</td> </tr> <tr> <th>APPROVED BY</th> <th>DATE</th> </tr> <tr> <td>J. MURPHY</td> <td>2009/03/09</td> </tr> </tbody> </table>	DRAWN BY	DATE	R. STONE	2009/03/05	CHECKED BY	DATE	B. WOODMAN	2009/03/07	APPROVED BY	DATE	J. MURPHY	2009/03/09	<table border="1"> <thead> <tr> <th>TITLE</th> <th>SCALE</th> <th>DESIGN UNITS</th> </tr> </thead> <tbody> <tr> <td>MAX-LOC STRAIN RELIEF CORD GRIP, STRAIGHT MALE WITH O-RING</td> <td>2:1</td> <td>INCH</td> </tr> </tbody> </table>	TITLE	SCALE	DESIGN UNITS	MAX-LOC STRAIN RELIEF CORD GRIP, STRAIGHT MALE WITH O-RING	2:1	INCH	<table border="1"> <thead> <tr> <th>MATERIAL NO.</th> <th>DOCUMENT NO.</th> <th>SHEET NO.</th> </tr> </thead> <tbody> <tr> <td>SEE CHART</td> <td>SD-130098-004</td> <td>1 OF 1</td> </tr> </tbody> </table>	MATERIAL NO.	DOCUMENT NO.	SHEET NO.	SEE CHART	SD-130098-004	1 OF 1
		mm	INCH																																																																																												
	4 PLACES	± .005	± .0002																																																																																												
3 PLACES	± .005	± .0002																																																																																													
2 PLACES	± .010	± .0004																																																																																													
1 PLACE	± 0.3	± .012																																																																																													
mm	INCH																																																																																														
± .010	± .0004																																																																																														
± .015	± .0006																																																																																														
± .025	± .0010																																																																																														
± .050	± .0020																																																																																														
± .100	± .0040																																																																																														
± .150	± .0060																																																																																														
± .250	± .0100																																																																																														
± .500	± .0200																																																																																														
± 1.000	± .0400																																																																																														
± 1.500	± .0600																																																																																														
± 2.000	± .0800																																																																																														
± 3.000	± .1200																																																																																														
± 4.000	± .1600																																																																																														
± 6.000	± .2400																																																																																														
± 8.000	± .3200																																																																																														
± 10.000	± .4000																																																																																														
± 15.000	± .6000																																																																																														
± 20.000	± .8000																																																																																														
± 30.000	± 1.2000																																																																																														
± 40.000	± 1.6000																																																																																														
± 50.000	± 2.0000																																																																																														
± 60.000	± 2.4000																																																																																														
± 80.000	± 3.2000																																																																																														
± 100.000	± 4.0000																																																																																														
DRAWN BY	DATE																																																																																														
R. STONE	2009/03/05																																																																																														
CHECKED BY	DATE																																																																																														
B. WOODMAN	2009/03/07																																																																																														
APPROVED BY	DATE																																																																																														
J. MURPHY	2009/03/09																																																																																														
TITLE	SCALE	DESIGN UNITS																																																																																													
MAX-LOC STRAIN RELIEF CORD GRIP, STRAIGHT MALE WITH O-RING	2:1	INCH																																																																																													
MATERIAL NO.	DOCUMENT NO.	SHEET NO.																																																																																													
SEE CHART	SD-130098-004	1 OF 1																																																																																													
<p>DRAFT WHERE APPLICABLE MUST REMAIN WITHIN DIMENSIONS</p>																																																																																															
<p>THIS DRAWING CONTAINS INFORMATION THAT IS PROPRIETARY TO MOLEX INCORPORATED AND SHOULD NOT BE USED WITHOUT WRITTEN PERMISSION</p>																																																																																															