

Excellent Integrated System Limited

Stocking Distributor

Click to view price, real time Inventory, Delivery & Lifecycle Information:

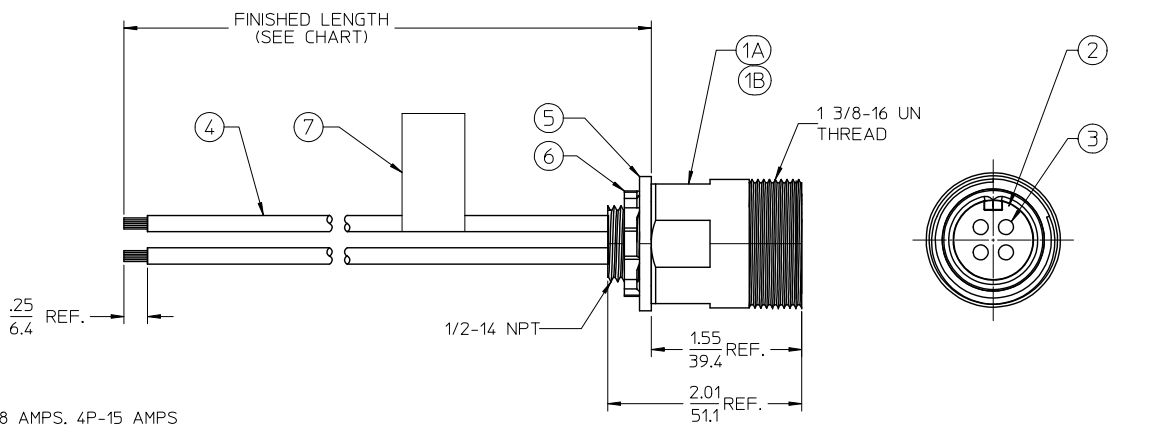
[Molex Connector Corporation](#)
[1300030048](#)

For any questions, you can email us directly:

sales@integrated-circuit.com

POLES	MATERIAL NO.	ENGINEERING NO.	FINISHED LENGTH
2	1300030008	32017	12.00 +.75-0 (305mm +19mm-0)
3	1300030023	32317	12.00 +.75-0 (305mm +19mm-0)
4	1300030048	32632	12.00 +.75-0 (305mm +19mm-0)

MALE FACE VIEW		
1-BLACK 2-WHITE	1-BLACK 2-WHITE 3-GREEN	1-BLACK 2-GREEN 3-RED 4-WHITE



- NOTES:
 1. MATERIAL: SEE TABLE
 2. FINISHES: SEE TABLE
 3. ELECTRICAL SPECIFICATIONS
 VOLTAGE RATING: 600V AC/DC
 CURRENT RATING: 2P-18 AMPS, 3P-18 AMPS, 4P-15 AMPS
 4. XX REFERS TO POLE COUNT
 5. PROTECTION: IP67
 6. ASSEMBLY IS RoHS COMPLIANT BY EXEMPTION

7	1	FLAG LABEL	VINYL	BLACK/YELLOW
6	1	LOCKNUT	STEEL	ZINC PLATED
5	1	GASKET	NEOPRENE	BLACK
4	XX	WIRE, 14 AWG, UL 1015	PVC INSULATION	SEE FACE VIEW
3	XX	CONTACT PIN	Cu ALLOY	UN-PLATED
2	1	INSERT	RUBBER	YELLOW
1B	1	RECEPTACLE SHELL	OPT: ALUMINUM	CLEAR ANODIZE
1A	1	RECEPTACLE SHELL	NYLON	BLACK
ITEM	QTY.	DESCRIPTION	MATERIAL	FINISH

QUALITY SYMBOLS		GENERAL TOLERANCES (UNLESS SPECIFIED)		DIMENSION STYLE		SCALE	DESIGN UNITS	THIRD ANGLE PROJECTION	
		mm	INCH	IN/MM		1:1	INCH		
	0.005	± .005	± .005	DRAWN BY	DATE	TITLE QUICK CHANGE RECEPTACLE MALE 2-3 POLE, 14 AWG molex DOCUMENT NO. SD-130003-003 SHEET NO. 1 OF 1			
	0.01	± .01	± .01	CHECKED BY	DATE				
	0.025	± .025	± .025	K. JOZWIK	2013/01/16				
	0.13	± .13	± .01	APPROVED BY	DATE				
	0.25	± .25	± .01	JFMURPHY	2013/03/01				
ANGULAR ± 2° DRAFT WHERE APPLICABLE MUST REMAIN WITHIN DIMENSIONS		MATERIAL NO. SEE CHART		THIS DRAWING CONTAINS INFORMATION THAT IS PROPRIETARY TO MOLEX INCORPORATED AND SHOULD NOT BE USED WITHOUT WRITTEN PERMISSION					

1b_Frame_B IP AM T
Rev E1 2012/01/25