

Excellent Integrated System Limited

Stocking Distributor

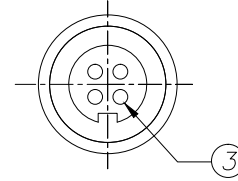
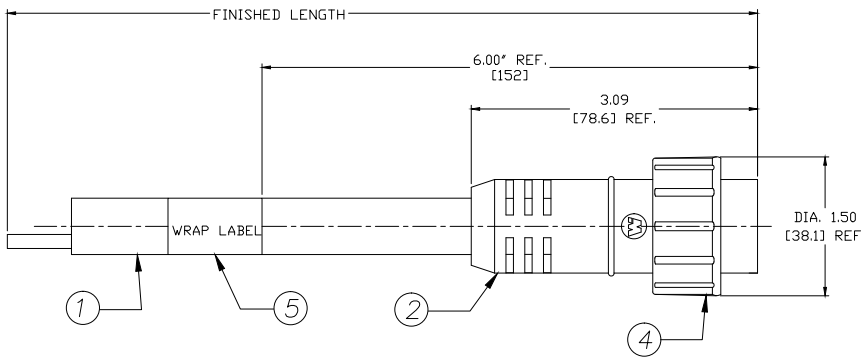
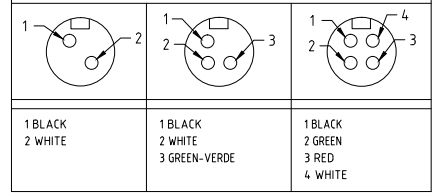
Click to view price, real time Inventory, Delivery & Lifecycle Information:

[Molex Connector Corporation](#)
[1300000088](#)

For any questions, you can email us directly:

sales@integrated-circuit.com

FACE VIEW-FEMALE INSERT



CONNECTOR SPECIFICATION:

VOLTAGE RATING	600V AC/DC
AMPERAGE RATING	2P: 25 AMPS, 3P: 25 AMPS, 4P: 20 AMPS
PROTECTION	IP67
OPERATING TEMP.	-20°C TO 105°C
UL CERTIFICATIONS	UL RECOGNIZED, FILE NO. E46237

POLES	MATERIAL NO.	ENGINEERING NO.	FINISHED LENGTH
4	1300000088	32678	6.0 FT. +2.19"-0 [183CM+56mm-0]
4	1300000090	32679	12.0 FT. +3.50"-0 [366 CM +89mm-0]

ITEM	COMPONENT	MATERIAL	FINISH
5	LABEL	VINYL	YELLOW
4	COUPLING	THERMOPLASTIC	BLACK
3	CONTACT SOCKET	COPPER ALLOY	UN-PLATED
2	OVERMOLD	RUBBER	YELLOW
1	CABLE-12 AWG SDW	CPE JACKET	YELLOW

RELEASED EC NO: IPC2013/0683 DRWN: RSTONE 2012/11/26 CHKD: K JOZWIK APPR: JFMURPHY 2013/02/07 REV: A	QUALITY SYMBOLS ▽=0 ∇=0	GENERAL TOLERANCES (UNLESS SPECIFIED) mm INCH 4 PLACES ±--- ±--- 3 PLACES ±--- ±--- 2 PLACES ±--- ±.01 1 PLACE ±0.3 ±--- ANGULAR ±2°	DIMENSION STYLE INCH/MM DRAWN BY: RSTONE DATE: 2012/11/26 CHECKED BY: K JOZWIK DATE: 2012/11/28 APPROVED BY: JFMURPHY DATE: 2013/02/07	SCALE: 4:1 DESIGN UNITS: INCH THIRD ANGLE PROJECTION	TITLE: QUICK CHANGE CABLE ASSY 2-4P FEMALE, 12 AWG MOLEX INCORPORATED SEE CHART MATERIAL NO. SD-130000-005 DOCUMENT NO. SD-130000-005 SHEET NO. 1 OF 1
	DRAFT WHERE APPLICABLE MUST REMAIN WITHIN DIMENSIONS THIS DRAWING CONTAINS INFORMATION THAT IS PROPRIETARY TO MOLEX INCORPORATED AND SHOULD NOT BE USED WITHOUT WRITTEN PERMISSION				

10 9 8 7 6 5 4 3 2 1