

## Excellent Integrated System Limited

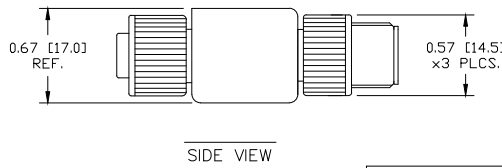
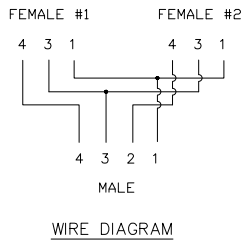
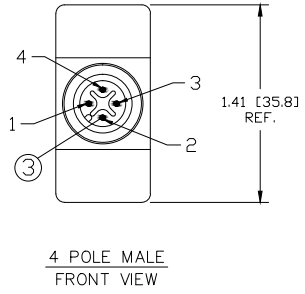
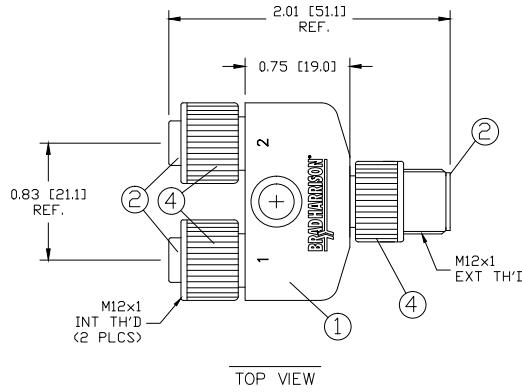
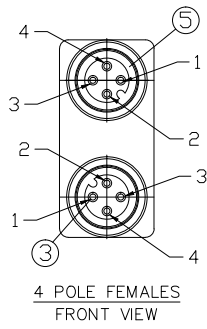
Stocking Distributor

Click to view price, real time Inventory, Delivery & Lifecycle Information:

[Molex Connector Corporation](#)  
[1200680170](#)

For any questions, you can email us directly:

[sales@integrated-circuit.com](mailto:sales@integrated-circuit.com)



MATERIAL NUMBER	ENGINEERING NUMBER	OVERMOLD MATERIAL	OVERMOLD COLOR
1200680169	81590R	TPE	GREY
1200680170	81594R	TPE	YELLOW
1200680229	81590	PVC	GRAY

ITEM	COMPONENT	MATERIAL	FINISH
5	O-RING	VITON	RED
4	COUPLER	ZINC	BLACK ELECTROPHORETIC COAT
3	CONTACT	COPPER ALLOY	GOLD/NICKEL
2	INSERT	NYLON	BLACK
1	OVERMOLD	SEE TABLE	SEE TABLE

ADD PN 81590 TO PN TABLE EC NO: IPC2013/0803 DRWN: TWOLDESE 1227112 CHKD: VOU APPR: JFURPHY REV: 3	QUALITY SYMBOLS ▽=0 ◻=0	GENERAL TOLERANCES (UNLESS SPECIFIED) mm INCH 4 PLACES ±--- ±--- 3 PLACES ±--- ±.005 2 PLACES ±0.13 ±.010 1 PLACE ±0.25 ±.020 ANGULAR ±.5°	DIMENSION STYLE INCH DRAWN BY: VOU DATE: 2012/04/24 CHECKED BY: --- DATE: --- APPROVED BY: --- DATE: ---	SCALE: 3:2 DESIGN UNITS: INCH THIRD ANGLE PROJECTION	TITLE: MIC 4P MOLDED SPLITTER
	DRAFT WHERE APPLICABLE MUST REMAIN WITHIN DIMENSIONS		MATERIAL NO.: --- DOCUMENT NO.: SD-120068-034 SHEET NO.: 1 OF 1	MOLEX INCORPORATED	
	THIS DRAWING CONTAINS INFORMATION THAT IS PROPRIETARY TO MOLEX INCORPORATED AND SHOULD NOT BE USED WITHOUT WRITTEN PERMISSION				