

Excellent Integrated System Limited

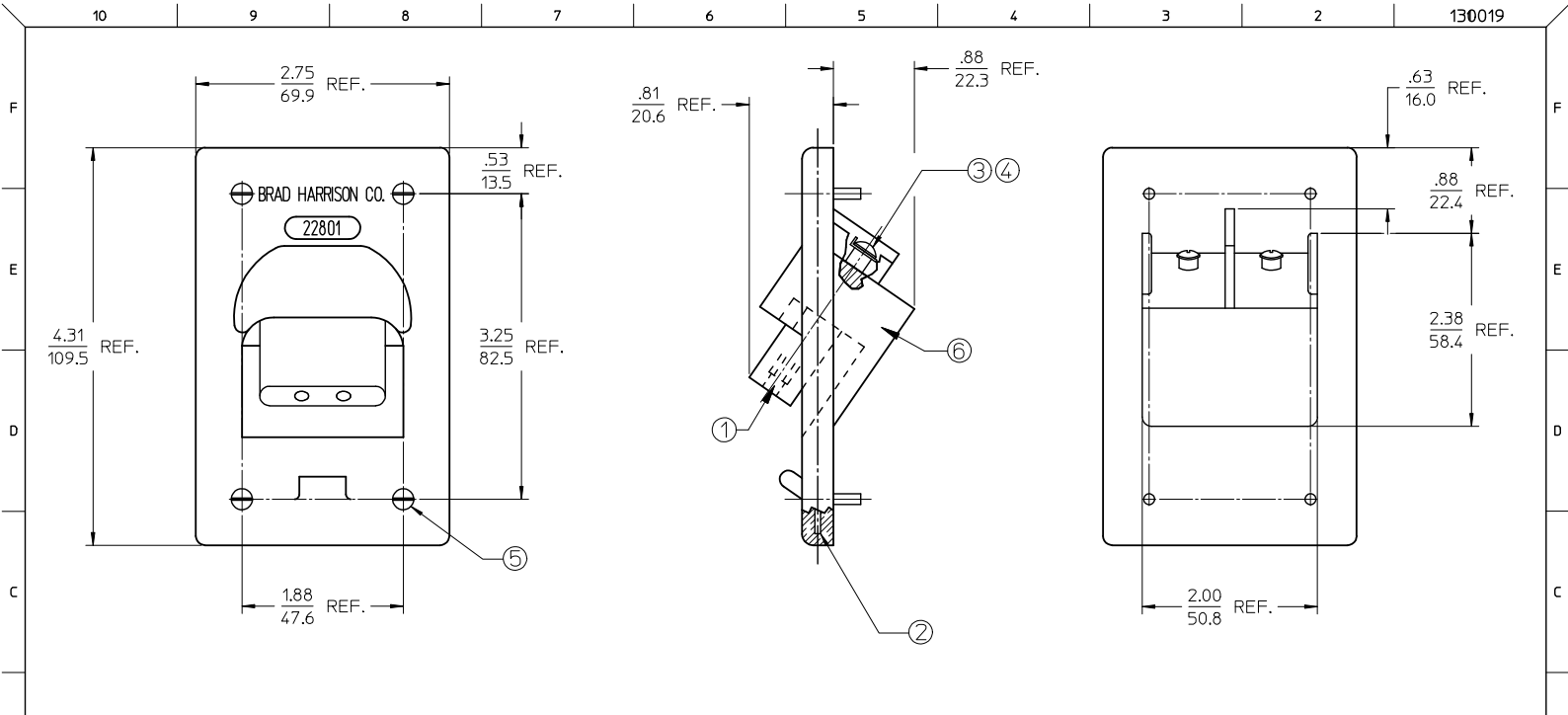
Stocking Distributor

Click to view price, real time Inventory, Delivery & Lifecycle Information:

[Molex Connector Corporation](#)
[1300190001](#)

For any questions, you can email us directly:

sales@integrated-circuit.com



MATERIAL NO.	ENGINEERING NO.	ELECTRICAL RATING
1300190001	22801	VOLTAGE: 600VAC, CURRENT: 25 AMPS

ITEM	QTY.	DESCRIPTION	MATERIAL	FINISH
6	1	OVERMOLD	RUBBER	YELLOW
5	4	6-32 BINDING HD SCREW	STEEL	NICKEL PLATE
4	2	CUPPED WASHER	BRASS	NICKEL PLATE
3	2	8-32 SCREW	BRASS	
2	1	SUPPORT PLATE	CRS	ZINC PLATE
1	2	SOCKET ASSEMBLY (3/16 DIA)	BRASS	

NEW SALES DOC
EC NO: ICG2013-0880
DRAWN BY: RWINSTONE 2013/01/15
CHKD BY: JOZWIK 2013/01/25
APPR: JFMURPHY 2013/03/01

QUALITY SYMBOLS
▽=0
▽=0

GENERAL TOLERANCES (UNLESS SPECIFIED)	
	mm INCH
4 PLACES	±.005 ±.002
3 PLACES	±.005 ±.002
2 PLACES	±.005 ±.002
1 PLACE	±.005 ±.002
0 PLACE	±.005 ±.002
ANGULAR ± 2°	
DRAFT WHERE APPLICABLE MUST REMAIN WITHIN DIMENSIONS	

DIMENSION STYLE: IN/MM
DRAWN BY: RSTONE DATE: 2013/01/15
CHECKED BY: K. JOZWIK DATE: 2013/01/25
APPROVED BY: JFMURPHY DATE: 2013/03/01

SCALE: 1:1 DESIGN UNITS: INCH THIRD ANGLE PROJECTION

TITLE: DIE BLOCK ANGLE RECEPTACLE FEMALE, 2 POLE-YELLOW

molex

MATERIAL NO. SEE CHART DOCUMENT NO. SD-130019-001 SHEET NO. 1 OF 1

THIS DRAWING CONTAINS INFORMATION THAT IS PROPRIETARY TO MOLEX INCORPORATED AND SHOULD NOT BE USED WITHOUT WRITTEN PERMISSION