

Excellent Integrated System Limited

Stocking Distributor

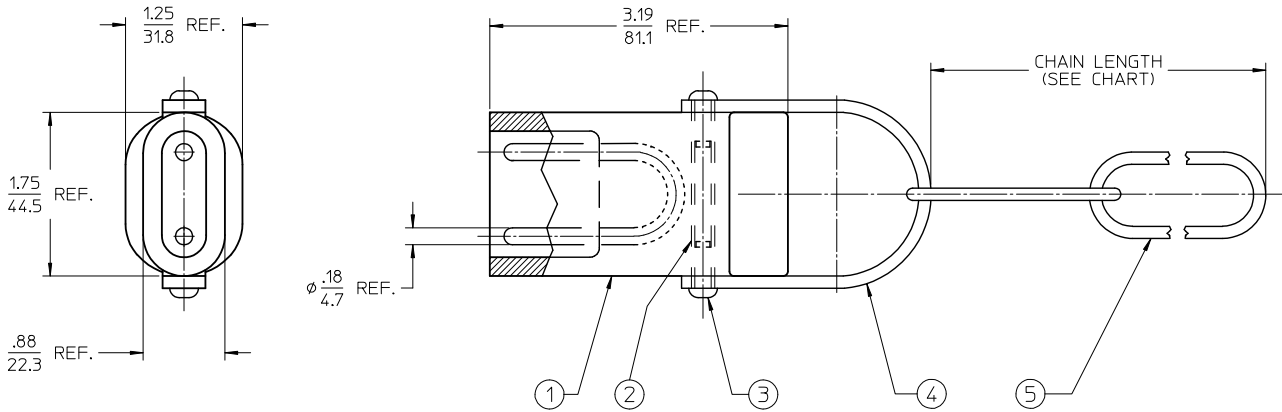
Click to view price, real time Inventory, Delivery & Lifecycle Information:

[Molex Connector Corporation](#)
[1300190004](#)

For any questions, you can email us directly:

sales@integrated-circuit.com

10 9 8 7 6 5 4 3 2 130019



MATERIAL NO.	ENGINEERING NO.	CHAIN LENGTH	ELECTRICAL RATING
1300190003	22803	1 FT.	VOLTAGE: 600VAC, CURRENT: 25 AMPS
1300190004	22804	2 FT.	
1300190005	22805	3 FT.	

ITEM	QTY.	DESCRIPTION	MATERIAL	FINISH
5	A/R	CHAIN	STEEL	ZINC PLATE
4	1	YOKE	STEEL	ZINC PLATE
3	2	#10 X 1/2 RD HD DRIVE SCREW	STEEL	ZINC PLATE
2	1	SPACER TUBE	CRS	
1	1	SHORTING PLUG ASSEMBLY	BRASS (PIN)	

NEW SALES DOC EC NO: JGZ013-0880 DRAWN BY: RWINSTONE CHKD BY: JOZWIK APPR: JFMURPHY	2013/01/15 2013/01/25 2013/03/01	QUALITY SYMBOLS ▽=0 ▽=0	GENERAL TOLERANCES (UNLESS SPECIFIED)		DIMENSION STYLE IN/MM		SCALE 1:1	DESIGN UNITS INCH	THIRD ANGLE PROJECTION
			4 PLACES ± .005 ± .005 3 PLACES ± .005 ± .005 2 PLACES ± .005 ± .005 1 PLACE ± 0.5 ± .005 0 PLACE ± .005 ± .005	mm INCH ± .005 ± .005 ± .02 ± .005 ± .005	DRAWN BY: RSTONE DATE: 2013/01/15 CHECKED BY: K. JOZWIK DATE: 2013/01/25 APPROVED BY: JFMURPHY DATE: 2013/03/01	TITLE DIE BLOCK SHORTING PLUG ASSEMBLY 2 POLE, FEMALE molex DOCUMENT NO. SD-130019-002 SHEET NO. 1 OF 1			
MATERIAL NO. SEE CHART DRAFT WHERE APPLICABLE MUST REMAIN WITHIN DIMENSIONS			THIS DRAWING CONTAINS INFORMATION THAT IS PROPRIETARY TO MOLEX INCORPORATED AND SHOULD NOT BE USED WITHOUT WRITTEN PERMISSION						

9 8 7 6 5 4 3 2 1