



Distributor of CTS Electronic Components: Excellent Integrated System Limited

Datasheet of 2461-000-X7V0-102PLF - CAP FEEDTHRU 1000PF 200V X7V

Contact us: sales@integrated-circuit.com Website: www.integrated-circuit.com

Excellent Integrated System Limited

Stocking Distributor

Click to view price, real time Inventory, Delivery & Lifecycle Information:

[CTS Electronic Components](#)

[2461-000-X7V0-102PLF](#)

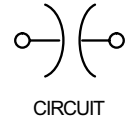
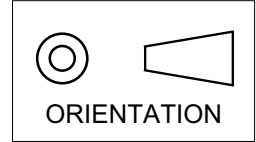
For any questions, you can email us directly:

sales@integrated-circuit.com

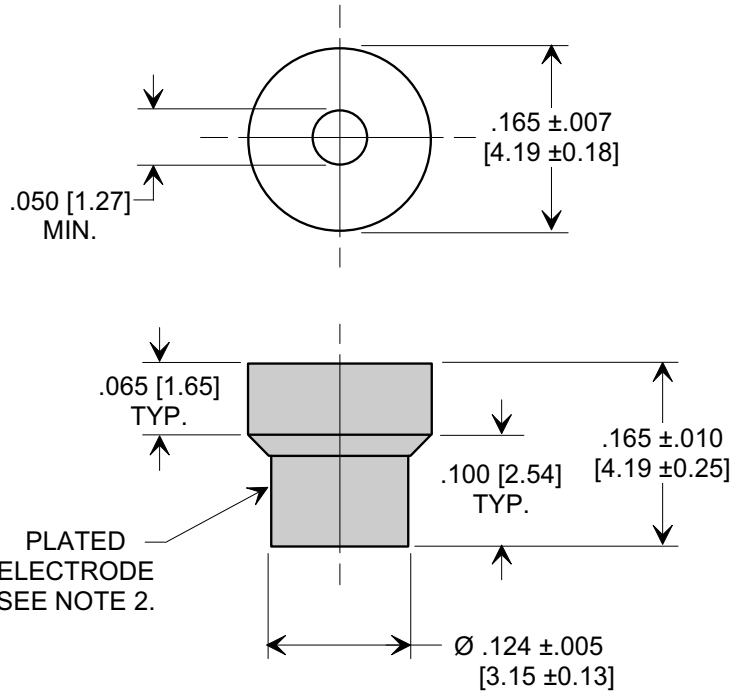
MARKETING SALES DRAWING

DIMENSIONS IN INCHES - DO NOT SCALE THIS DRAWING
DIMENSIONS IN METRIC - []

This drawing is the property of Tusonix, Inc., and may not be used, reproduced, published or disclosed to others without expressed authorization by Tusonix Inc.



Electrical Testing
 per Tusonix standard
 test plans and Mil-Std-202
 Test Methods.



NOTES:

- TUSONIX STANDARD PART NUMBER: 2461-000-X7V0-102P
 TUSONIX RoHS COMPLIANT PART NUMBER:
 2461-000-X7V0-102P LF
 CUSTOMER MUST SPECIFY STANDARD OR RoHS PART NUMBER WHEN ORDERING.
- ELECTRODE FINISH: STANDARD PART #: 60/40 SOLDER PLATED.
 RoHS PART #: MATTE TIN PLATED.
- PART MARKING: STANDARD PART: NO MARKING.
 RoHS PART: MARKING ON PACKAGING ONLY.

OPERATING INFORMATION

STYLE NO.	2461-000
VALUE	1000 pF
VALUE TOL.	+100 -0%
TEMP. COEF.	X7V
RATING	200VDC +85°C/ 100VDC @ +125°C
OPERATING RANGE	-55°C,+125°C
DWV	600 VDC
I.R. MIN. @ .100 VDC	10 G Ω

X-2015 Rev-0

REVISION RECORD	Original Release C.O. 20060330-2-01	20060417-4-02 REVISED RATING. S.M. 08-01-06	20060728-4-07
	ADDED NOTES. S.M. 04-19-06		
	1		
	2		

--TOLERANCES-- Unless Otherwise Specified		Title SHOULDER FEED-THRU	
DECIMAL ± .015 [0.38]		Drawn S.M. 03-30-06 Scale 6 X	
ANGLES ±		Approved T.C. 03-30-06	
TUSONIX TUCSON, ARIZONA		A 2461-000-X7V0-102P	